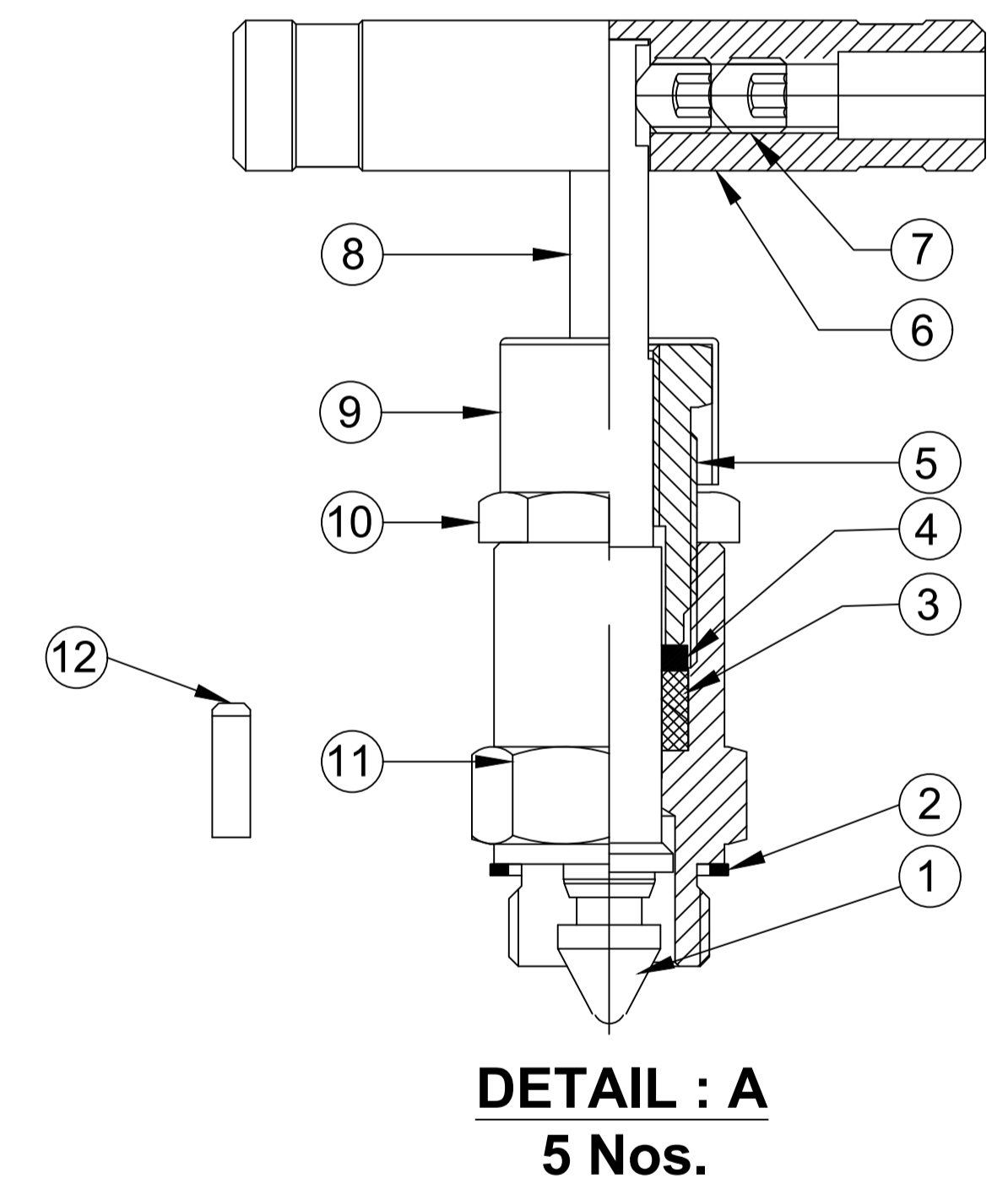
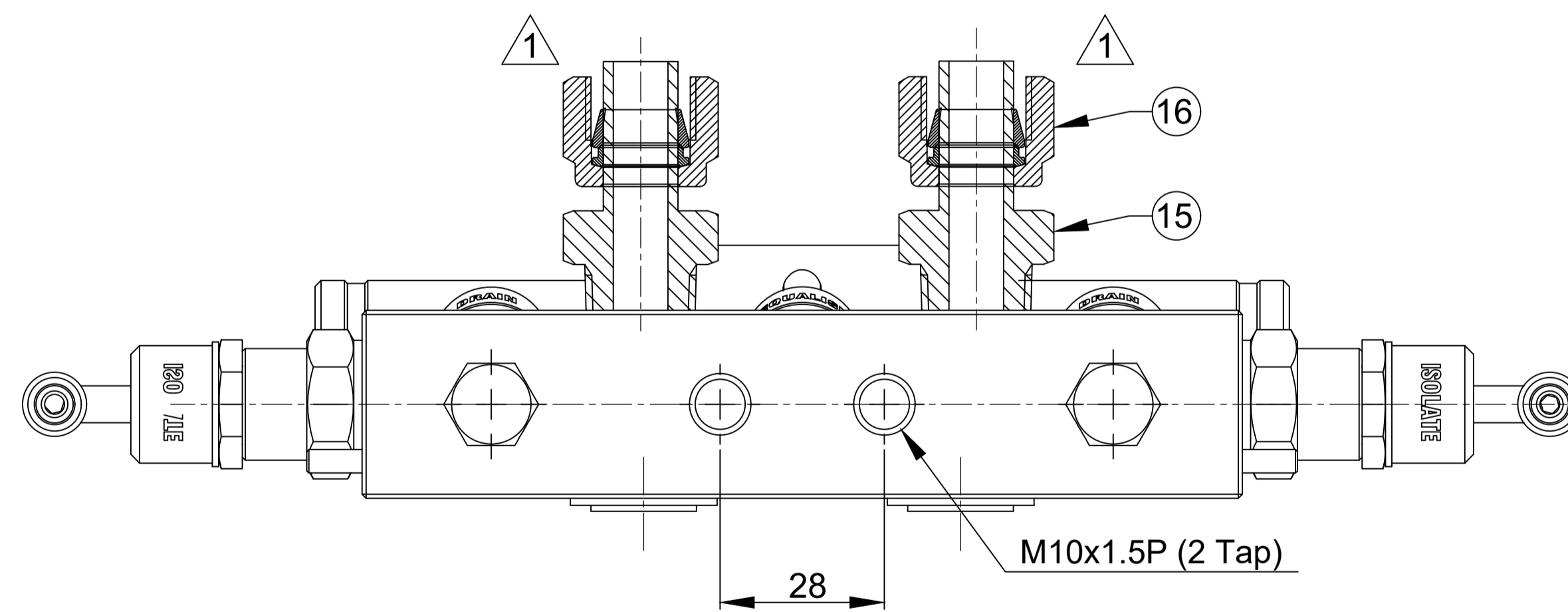
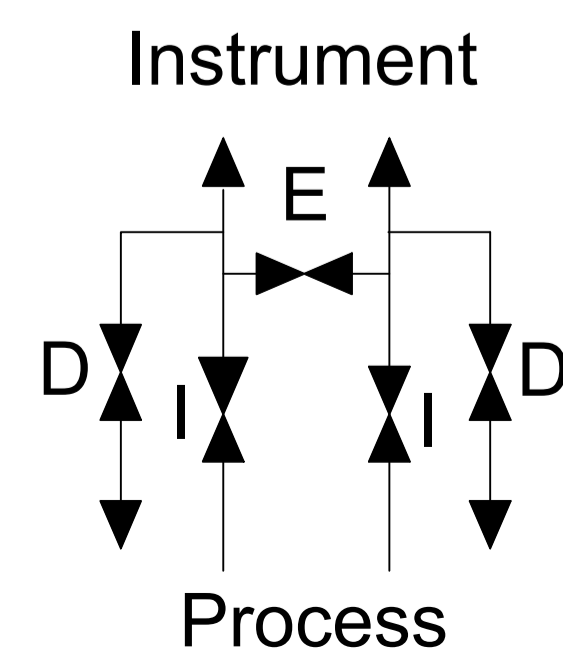


Sr No.	Description	Material	Qty
1	Tip	ASTM A479 Gr. SS316	5
2	Bonnet Packing	ASTM A479 Gr. SS316	5
3	Gland Packing	GFT	5 Set
4	Gland Washer	ASTM A479 Gr. SS316	5
5	Bonnet Pusher	ASTM A479 Gr. SS316	5
6	Handle	SS 316	5
7	Grub Screw	SS 316	10
8	Spindle	ASTM A479 Gr. SS316	5
9	Drain Cap	ALUMINIUM	5
10	Check Nut	SS 316	5
11	Bonnet	ASTM A479 Gr. SS316	5
12	Dowel Pin	SS 316	5
13	Body	ASTM A182 Gr. F316	1
14	Drain Plug	ASTM A479 Gr. SS316	2
15	Male Adaptor	ASTM A479 Gr. SS316	2
16	Nut + Ferrule Assy	ASTM A479 Gr. SS316	2



TECHNICAL DETAILS:

- Process Side: 12mm ODT x 1/4" NPT-M
- Instrument Side: Direct Mount Flg (IEC 61518 TYPE-B)
- Drain: 1/4" NPT-F (Plugged)
- Screwed Bonnet Design
- MWT :- -54 Deg C To 260 Deg C
- MWP : 6000 psig @100°F
- Seat Test Press (Hydro): 6600 psig
- Seat Test Press (Pneu): 90 psig
- Body Test Press(Hydro) : 9000 psig



havi
Fittings & Valves
info@havi.in www.havi.in
A-201, PRIME TRADE CENTER
SATIVALI ROAD, VASAI (E),
PALGHAR - 401208, MAHARASHTRA, INDIA

DRAWN BY	MBC	20.09.2023
CHECKED BY	VSM	20.09.2023
APPROVED BY	SRD	20.09.2023

PART NAME : 5 Valve Directly Mounted Manifold - Type F 12mm ODT x 1/2" NPT-M x Outlet Direct Mount (IEC 61518 TYPE-B) x 1/4" NPTF DRAIN			
CUSTOMER NAME:-			
PROJECT NAME:-			
ENQ NO:EN2324/00585			
SO NO: -			
* All dimensions are in mm. Dimensions for reference only and are subject to change without notice			
* This document is the property of Havi Engineering India Pvt. Ltd. No exploitation or release of any text contained herein or relating to this document is permitted in any form without the written consent of HAVI.			

ENQ NO:EN2324/00585		SHEET NO: 01 OF 01	
SO NO: -		REV NO: 00	
SCALE: NTS			

PATH: -X:\2023-2024\EXPORT\EN2324\00585\GAD