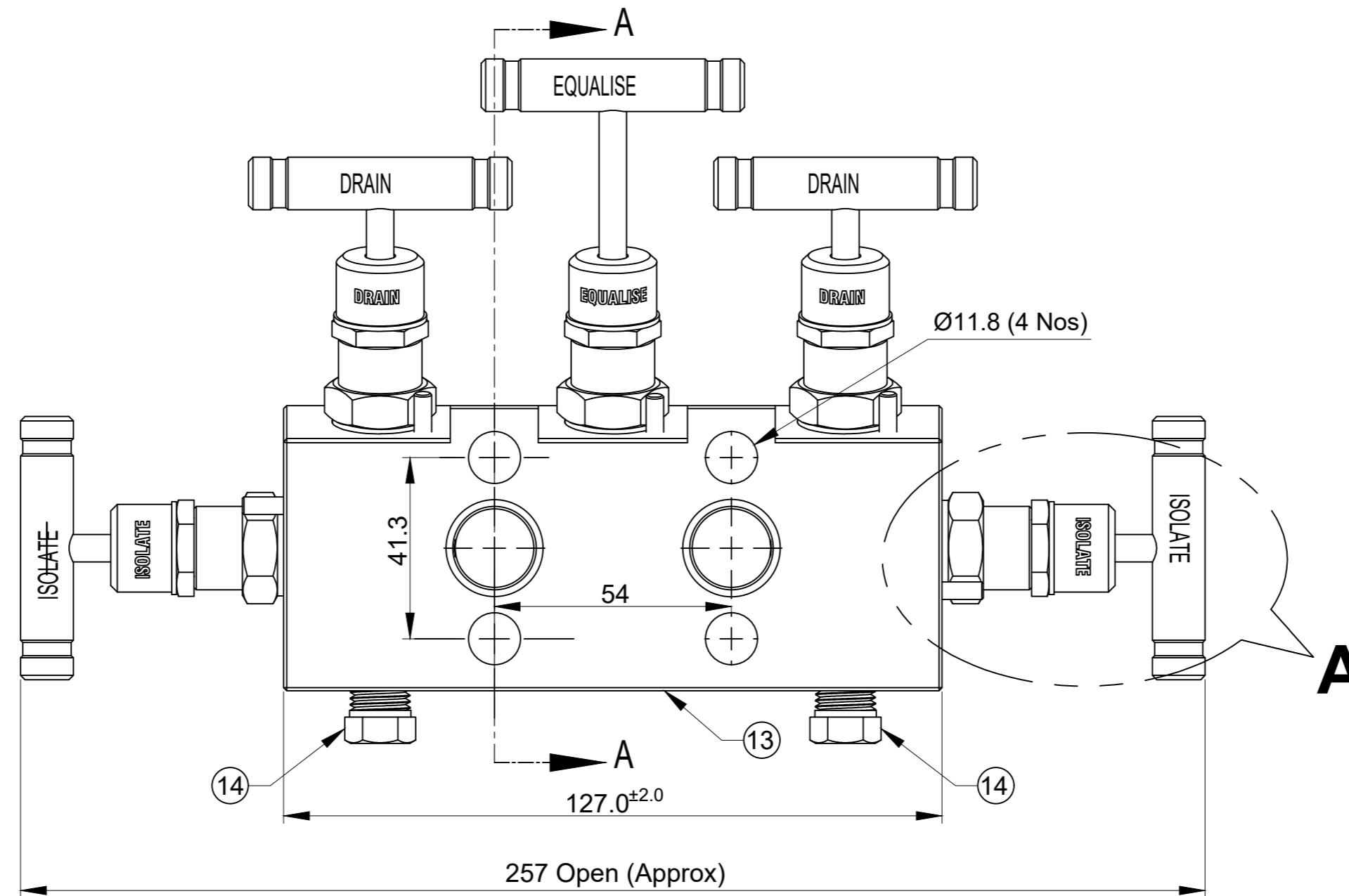
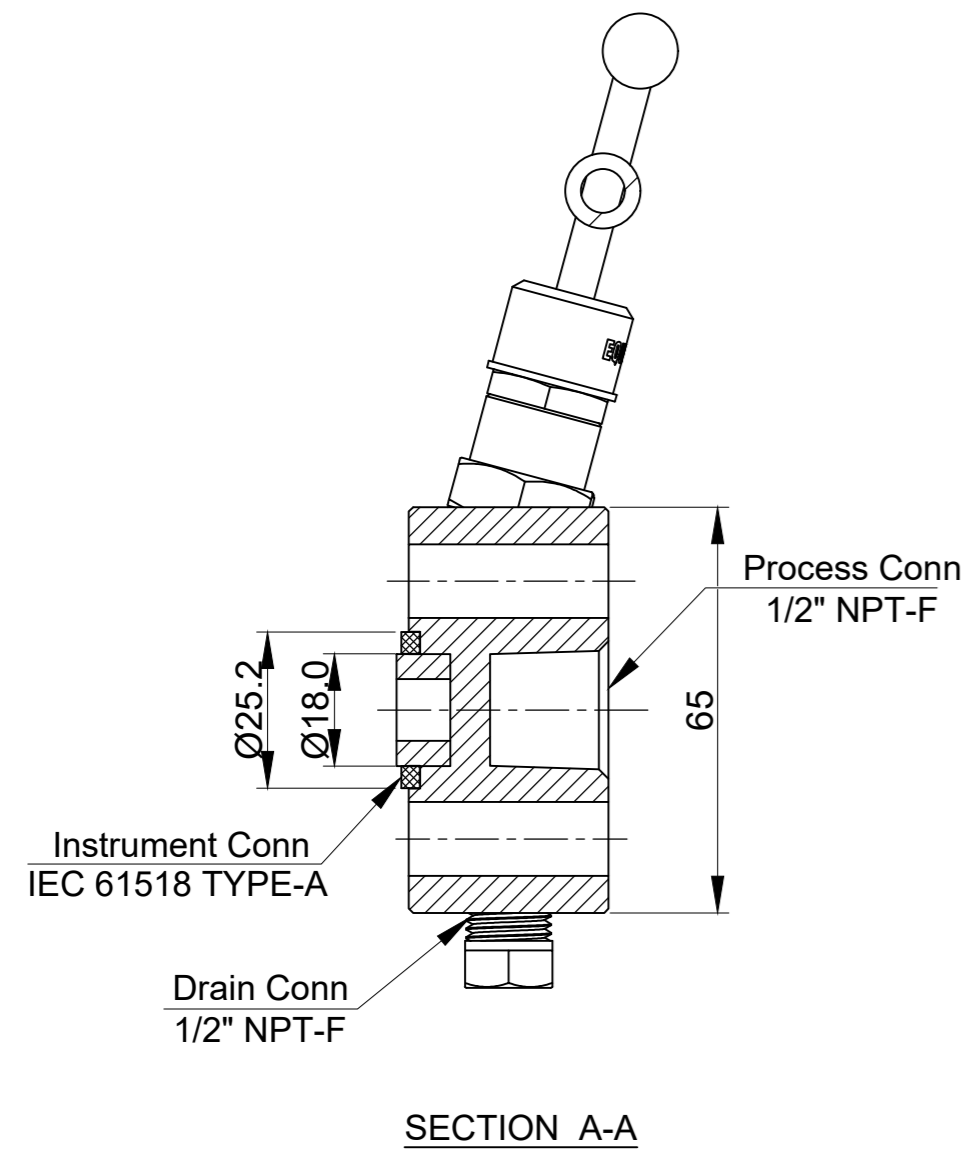
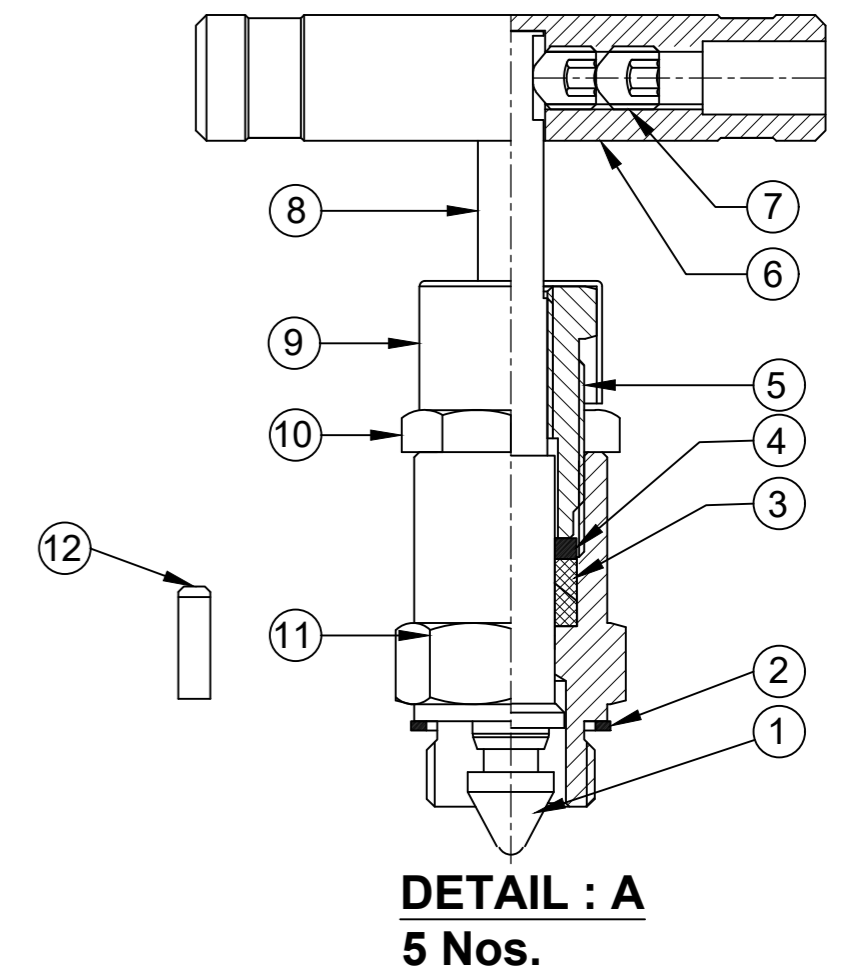
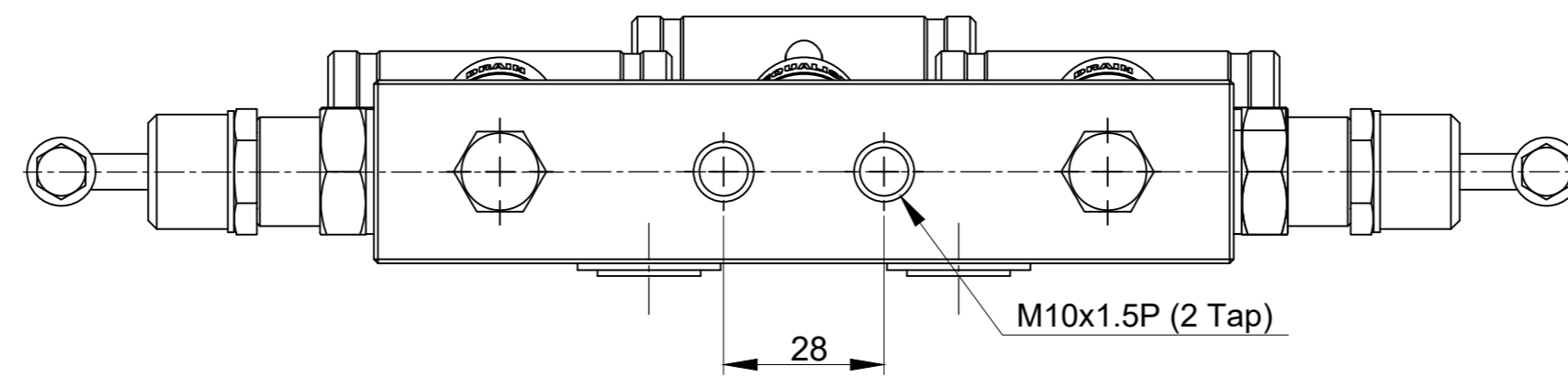
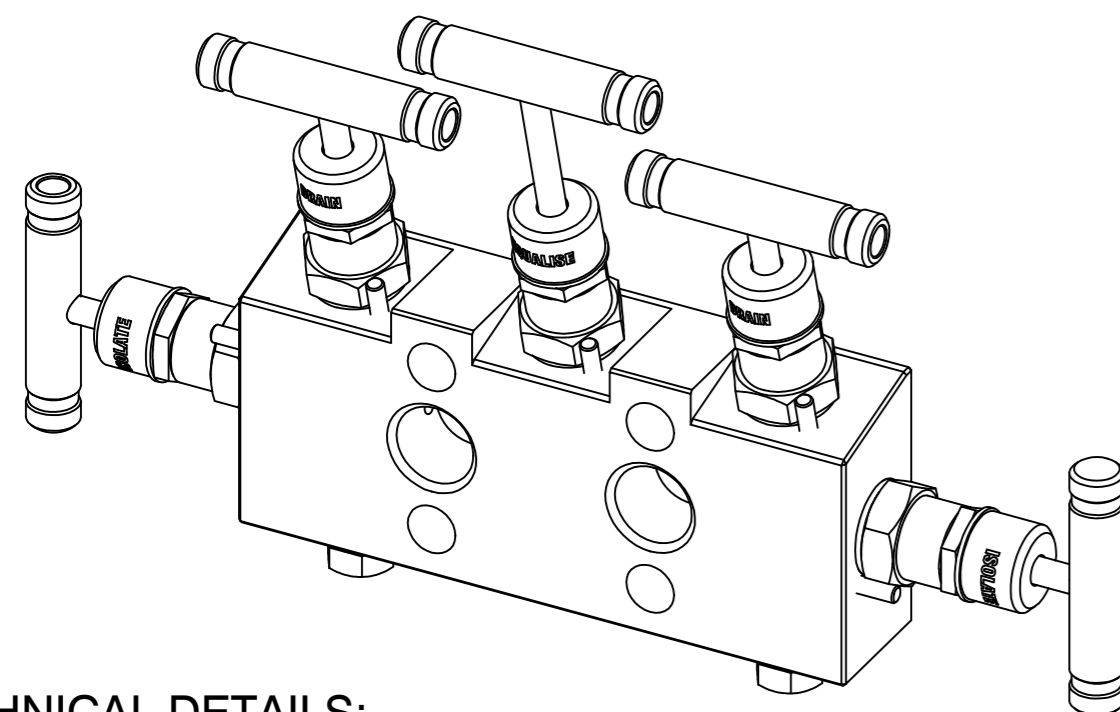


Qty :- 280

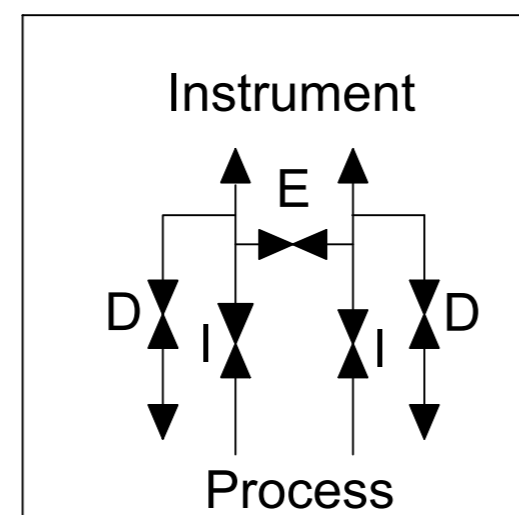


Sr No.	Description	Material	Qty
1	Tip	SS316/L	5
2	Bonnet Packing	SS316/L	5
3	Gland Packing	GFT	5 Set
4	Gland Washer	SS316/L	5
5	Bonnet Pusher	SS316/L	5
6	Handle	SS316/L	5
7	Grub Screw	SS316/L	10
8	Spindle	SS316/L	5
9	Drain Cap	ALUMINIUM	5
10	Check Nut	SS316/L	5
11	Bonnet	SS316/L	5
12	Dowel Pin	SS316/L	5
13	Body	ASTM A182 Gr. SS316/L	1
14	Drain Plug	SS316/L	2



**TECHNICAL DETAILS:**

- Process Side: 1/2" NPT-F
- Instrument Side: Direct Mount Flg (Type A) IEC 61518
- Drain: 1/2" NPT-F (Plugged)
- Screwed Bonnet Design
- NACE Compliant : MR 0175
- MWP.: 6000 psig @ 100 °F
- Body Test Press (Hydro): 9000 psig
- Seat Test Press (Hydro): 6600 psig
- Seat Test Press (Pneu): 90 psig



<p><b>havi</b> Fittings &amp; Valves info@havi.in www.havi.in A-201, PRIME TRADE CENTER SATIVALI ROAD, VASAI (E), PALGHAR - 401208, MAHARASHTRA, INDIA</p>		PART NAME : 5 VALVE MANIFOLD (1/2" NPT-F x FLG) DRAIN 1/2" NPT-F		CUSTOMER NAME:-	
		DWG NO : - TV5F-8F-8F-S6L-N		PROJECT NAME:-	
MATERIAL : - AS PER BOM		ENQ NO: EN2324/00388		SHEET NO: 01 OF 01	
SIGN		DATE		SO NO:	
DRAWN BY: MBC		07.07.2023		* All dimensions are in mm. Dimensions for reference only and are subject to change without notice	
CHECKED BY: VM		07.07.2023		* This document is the property of Havi Engineering India Pvt. Ltd. No exploitation or release of any text contained herein or relating to this document is permitted in any form without the written consent of HAVI.	
APPROVED BY: SRD		07.07.2023		SCALE: NTS	

PATH: X:\2023-2024\EXPORT\EN2324\00388\GAD