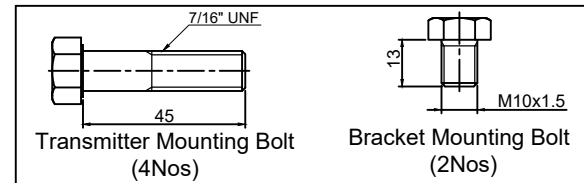
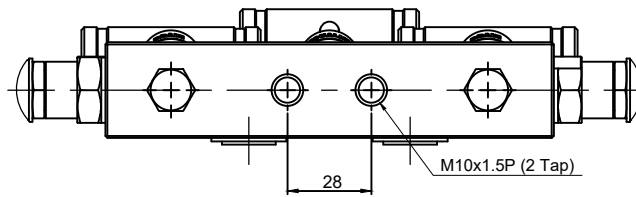
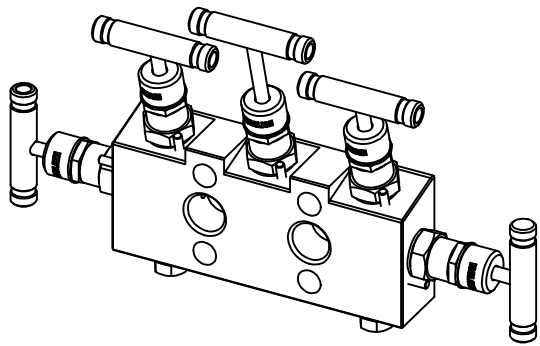
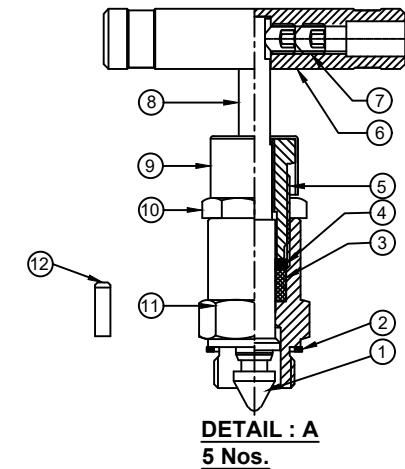


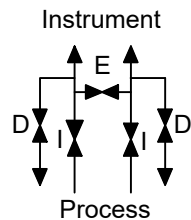
Sr No.	Description	Material	Qty
1	Tip	ASTM A479 Gr. SS316	5
2	Bonnet Packing	ASTM A479 Gr. SS316	5
3	Gland Packing	GFT	5 Set
4	Gland Washer	ASTM A479 Gr. SS316	5
5	Bonnet Pusher	ASTM A479 Gr. SS316	5
6	Handle	SS 316	5
7	Grub Screw	SS 304	10
8	Spindle	ASTM A479 Gr. SS316	5
9	Drain Cap	PVC	5
10	Check Nut	SS304	5
11	Bonnet	ASTM A479 Gr. SS316	5
12	Dowel Pin	SS304	5
13	Body	ASTM A182 Gr. SS316	1
14	Drain Plug	ASTM A479 Gr. SS316	2



**TECHNICAL DETAILS:**

- Process Side: 1/2" NPT-F
- Instrument Side: Direct Mount Fig
- Drain: 1/4" NPT-F (Plugged)
- Screwed Bonnet Design

- MWP : 6000 psig @100°F
- Seat Test Press (Hydro): 6600 psig
- Seat Test Press (Pneu): 90 psig
- Body Test Press(Hydro) : 9000 psig



**havi**  
Fittings & Valves  
info@havi.in www.havi.in  
A-201, PRIME TRADE CENTER  
SATIVALI ROAD, VASAI (E),  
PALGHAR - 401208, MAHARASHTRA, INDIA

DRAWN BY	SB	22.06.2022
CHECKED BY	RW	22.06.2022
APPROVED BY	SM	22.06.2022

PART NAME : 5 VALVE MANIFOLD 1/2"NPT-F X 1/4" NPTF DRAIN

DWG NO : - TV5F-8F-S6  
MATERIAL : - AS PER BOM

ENQ NO:EN2223/00227

SO NO: -

\* All dimensions are in mm. Dimensions for reference only and are subject to change without notice  
\* This document is the property of Havi Engineering India Pvt. Ltd. No exploitation or release of any text contained herein or relating to this document is permitted in any form without the written consent of HAVI.

CUSTOMER NAME:-  
PROJECT NAME:-

SHEET NO: 01 OF 01  
REV NO: 00  
SCALE: NTS

PATH: Z:\2022-2023\EXPORT\EN222300227\GAD