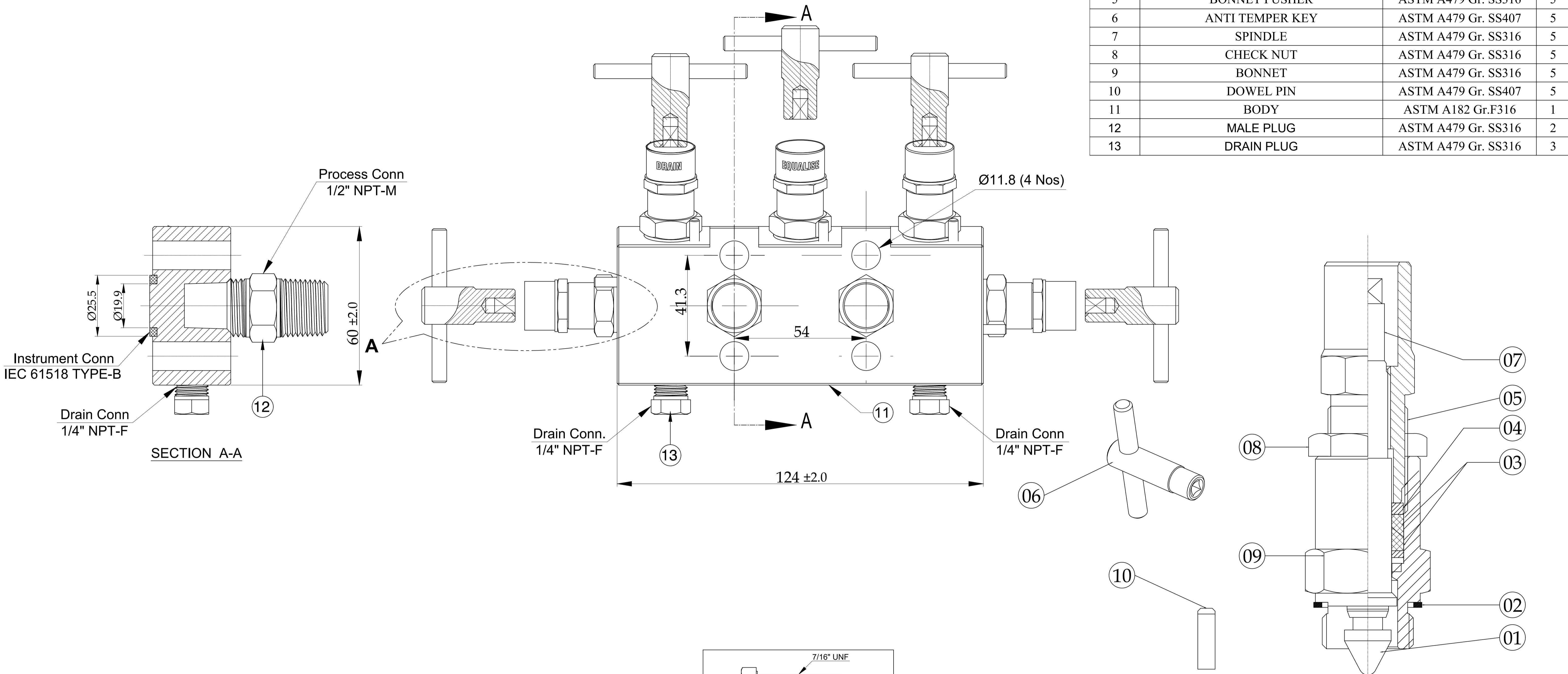
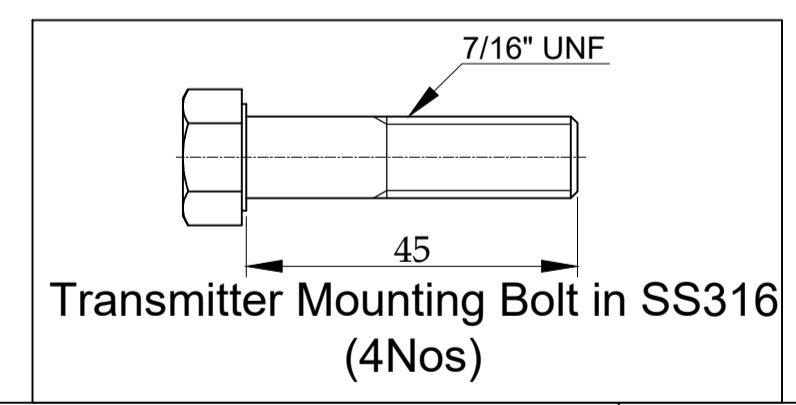
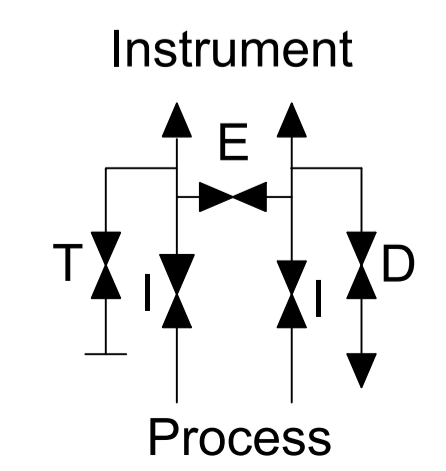



Sr No.	Description	Material	Qty
1	TIP	ASTM A479 Gr. SS316	5
2	BONNET PACKING	ASTM A479 Gr. SS316	5
3	GLAND PACKING	GFT	5 Set
4	GLAND WASHER	ASTM A479 Gr. SS316	5
5	BONNET PUSHER	ASTM A479 Gr. SS316	5
6	ANTI TEMPER KEY	ASTM A479 Gr. SS407	5
7	SPINDLE	ASTM A479 Gr. SS316	5
8	CHECK NUT	ASTM A479 Gr. SS316	5
9	BONNET	ASTM A479 Gr. SS316	5
10	DOWEL PIN	ASTM A479 Gr. SS407	5
11	BODY	ASTM A182 Gr.F316	1
12	MALE PLUG	ASTM A479 Gr. SS316	2
13	DRAIN PLUG	ASTM A479 Gr. SS316	3



**TECHNICAL DETAILS:**

- Process Side: 1/2" NPT-M
- Instrument Side: Flange (IEC 61518 Type-B)
- Drain: 1/4" NPT-F (Plugged)
- Screwed Bonnet Design
- TEMPERATURE RANGE :- -54°C To +260°C
- MWP.: 6000 psig @ 100 °F
- Body Test Press (Hydro): 9000 psig
- Seat Test Press (Hydro): 6600 psig
- Seat Test Press (Pneu): 90 psig
- Nace MR0175 Applicable



 <b>Fittings &amp; Valves</b> info@havi.in www.havi.in A-201, PRIME TRADE CENTER SATIVALI ROAD, VASAI (E), PALGHAR - 401208, MAHARASHTRA, INDIA		PART NAME : 5 Valve Manifold 1/2"NPT-F X Flange X 1/2"NPT-F With Anti Temper Key & Type B Connection		CUSTOMER NAME:			
		DWG NO : - TV5F-8M-TPB-AT-S6		PROJECT NAME & NO:			
MATERIAL : - AS PER BOM		ENQ NO:EN2324/00740		SHEET NO: 01 OF 01			
SIGN		DATE		SO NO: -			
DRAWN BY PDG 13.10.2023		REV NO		DESCRIPTION			
CHECKED BY MBC 13.10.2023		SIGN		DATE			
APPROVED BY SRD 13.10.2023		* All dimensions are in mm. Dimensions for reference only and are subject to change without notice * This document is the property of Havi Engineering India Pvt. Ltd. No exploitation or release of any text contained herein or relating to this document is permitted in any form without the written consent of HAVI.				REV NO: 00	
						SCALE: NTS	

PATH: -X:\2023-2024\EXPORT\EN2324\00740\GAD