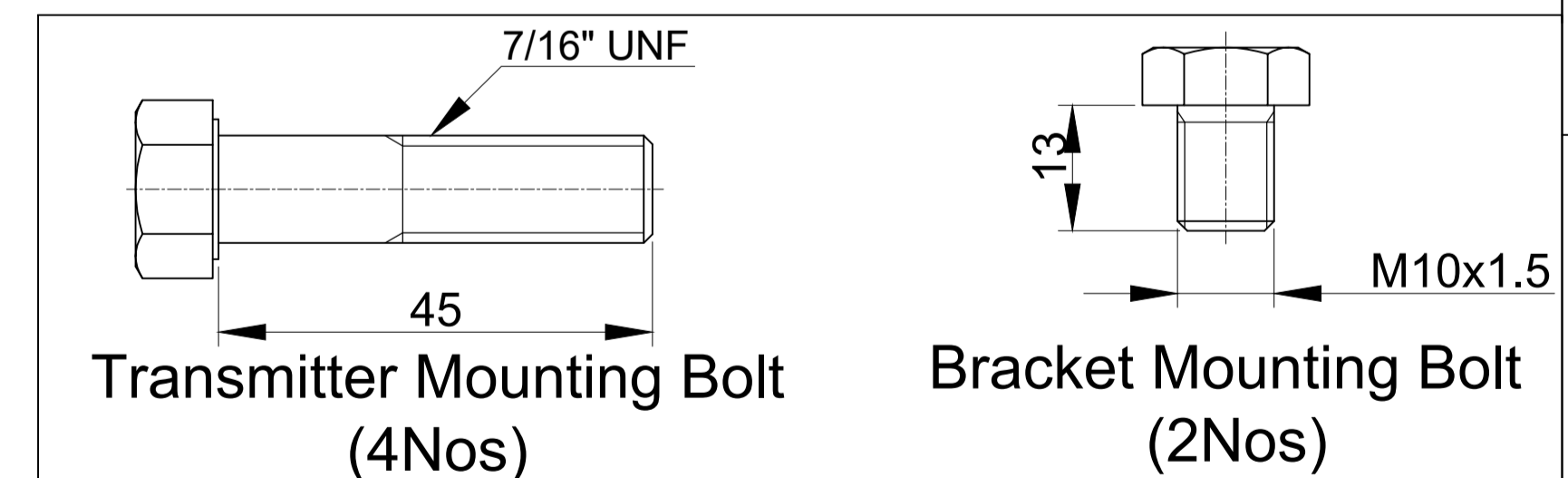
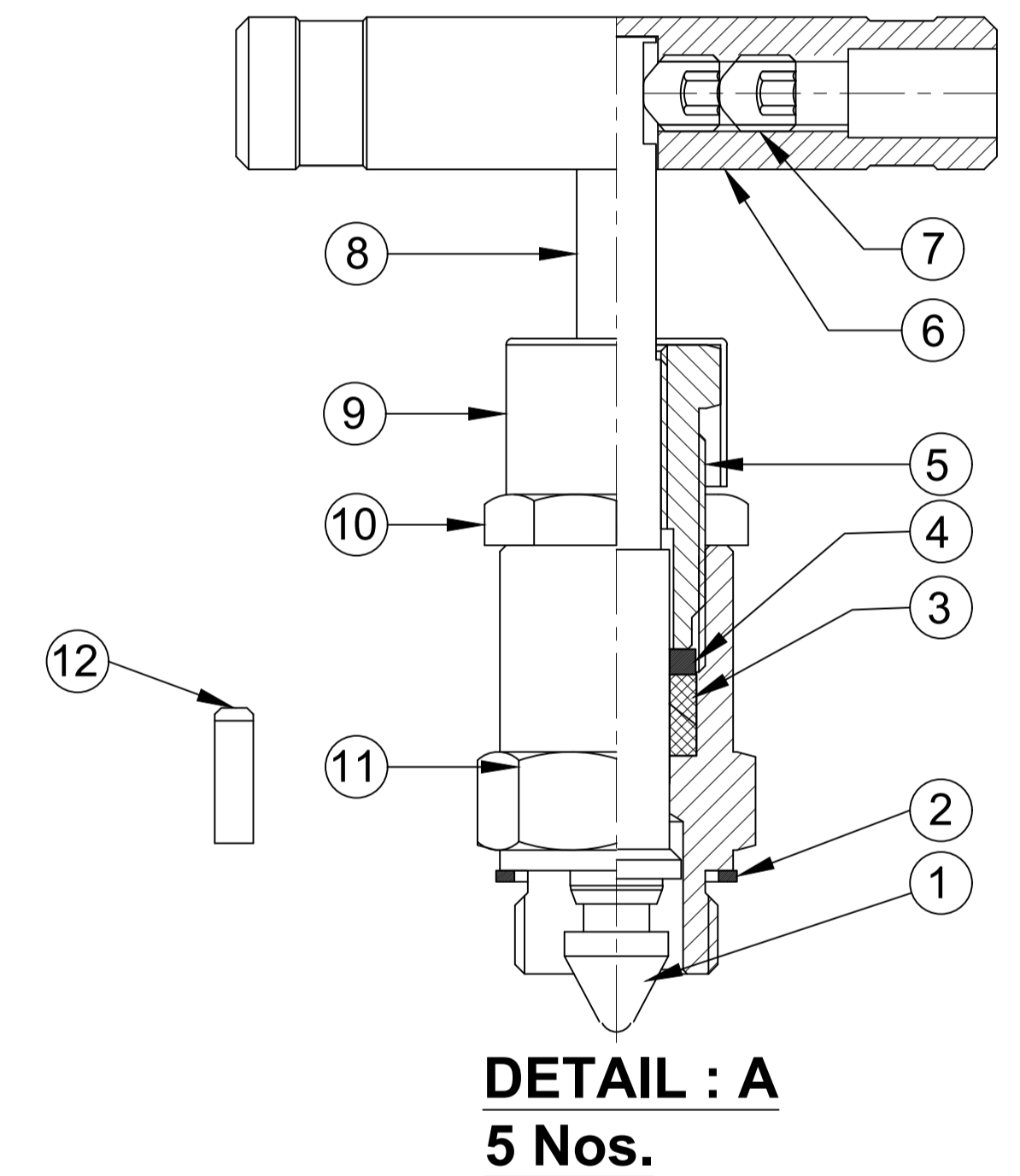
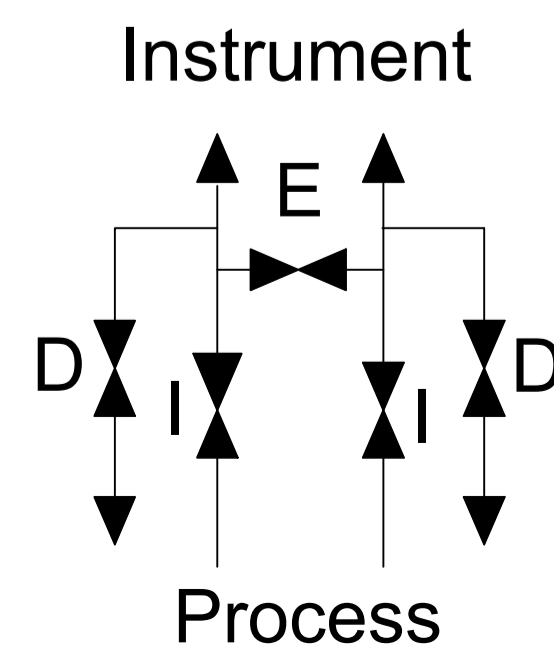


Sr No.	Description	Material	Qty
1	Tip	ASTM A479 Gr. SS316	5
2	Bonnet Packing	ASTM A479 Gr. SS316	5
3	Gland Packing	GFT	5 Set
4	Gland Washer	ASTM A479 Gr. SS316	5
5	Bonnet Pusher	ASTM A479 Gr. SS316	5
6	Handle	SS 316	5
7	Grub Screw	SS 316	10
8	Spindle	ASTM A479 Gr. SS316	5
9	Drain Cap	ALUMINIUM	5
10	Check Nut	SS 316	5
11	Bonnet	ASTM A479 Gr. SS316	5
12	Dowel Pin	SS 316	5
13	Body	ASTM A182 Gr. F316	1
14	Drain Plug	ASTM A479 Gr. SS316	2
15	Welded Plug	ASTM A479 Gr. SS316	2



TECHNICAL DETAILS:

- Process Side: M20x1.5P-M
- Instrument Side: Direct Mount Flg (IEC 61518 TYPE-B)
- Drain: 1/4" NPT-F (Plugged)
- Screwed Bonnet Design
- MWT :- -54 Deg C To 260 Deg C
- MWP : 6000 psig @100°F
- Seat Test Press (Hydro): 6600 psig
- Seat Test Press (Pneu): 90 psig
- Body Test Press(Hydro) : 9000 psig



havi
Fittings & Valves
info@havi.in www.havi.in
A-201, PRIME TRADE CENTER
SATIVALI ROAD, VASAI (E),
PALGHAR - 401208, MAHARASHTRA, INDIA

PART NAME : 5 Valve Directly Mounted Manifold - Type F
M20x1.5P-M x Outlet Direct Mount (IEC 61518 TYPE-B)
x 1/4" NPTF DRAIN

DWG NO : - TV5F-M20M-S6

MATERIAL : - AS PER BOM

CUSTOMER NAME:-

PROJECT NAME:-

ENQ NO:EN2324/00439

SO NO: -

REV NO	DESCRIPTION	SIGN	DATE
DRAWN BY	MBC		24.07.2023
CHECKED BY	VM		24.07.2023
APPROVED BY	SRD		24.07.2023

* All dimensions are in mm. Dimensions for reference only and are subject to change without notice

* This document is the property of Havi Engineering India Pvt. Ltd. No exploitation or release of any text contained herein or relating to this document is permitted in any form without the written consent of HAVI.

SHEET NO:
01 OF 01

REV NO: 00

SCALE: NTS

PATH: -X:\2023-2024\EXPORT\EN2324\00439\GAD

NOTE :- UNLESS SPECIFIED ALL DIMENSIONS ARE IN 'mm'