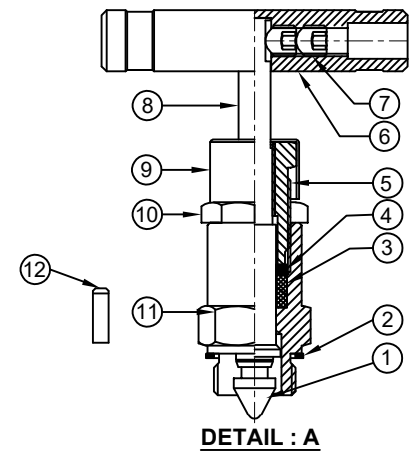
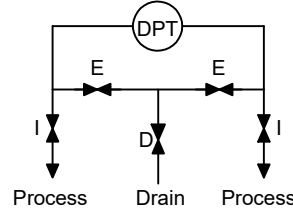


Sr No.	Description	Material	Qty
1	Tip	ASTM A479 Gr. SS316	5
2	Bonnet Packing	ASTM A479 Gr. SS316	5
3	Gland Packing	GFT	5 Set
4	Gland Washer	ASTM A479 Gr. SS316	5
5	Bonnet Pusher	ASTM A479 Gr. SS316	5
6	Handle	SS 316	5
7	Grub Screw	SS 304	10
8	Spindle	ASTM A479 Gr. SS316	5
9	Drain Cap	PVC	5
10	Check Nut	SS304	5
11	Bonnet	ASTM A479 Gr. SS316	5
12	Dowel Pin	SS304	5
13	Body	ASTM A182 Gr. F316	1
14	Drain Plug	ASTM A479 Gr. SS316	1
15	Mounting Bracket	SS316	1
16	U-BOLT With Nut & Washer	SS316	2 Set



TECHNICAL DETAILS:

- Process Side: 1/2" NPT-F
- Instrument Side: IEC 61518 Type A
- Drain: 1/4" NPT-F (Plugged)
- Screwed Bonnet Design
- MWP.: 6000 psig @ 100 °F
- Body Test Press (Hydro): 9000 psig
- Seat Test Press (Hydro): 6600 psig
- Seat Test Press (Pneu): 90 psig



havi
 Fittings & Valves
 info@havi.in www.havi.in
 A-201, PRIME TRADE CENTER
 SATIVALI ROAD, VASAI (E),
 PALGHAR - 401208, MAHARASHTRA, INDIA

	SIGN	DATE
DRAWN BY	VK	30.09.2022
CHECKED BY	SB	30.09.2022
APPROVED BY	SM	30.09.2022

PART NAME : 5 Valve Manifold Direct Mounting 1/2"NPT-F x IEC 61518 Type A X 1/4" NPTF Drain With Mounting Bracket

DWG NO : - TV5I-8F-S6-MB

MATERIAL :- AS PER BOM

REV NO	DESCRIPTION	SIGN	DATE

* All dimensions are in mm. Dimensions for reference only and are subject to change without notice
 * This document is the property of Havi Engineering India Pvt. Ltd. No exploitation or release of any text contained herein or relating to this document is permitted in any form without the written consent of HAVI.

CUSTOMER NAME: -

PROJECT NAME & NO: -

ENQ NO: EN2223/00789

SO NO: -

SHEET NO: 01 OF 01

REV NO: 00

SCALE: NTS

PATH: X:\2022-2023\EXPORT\EN222300789