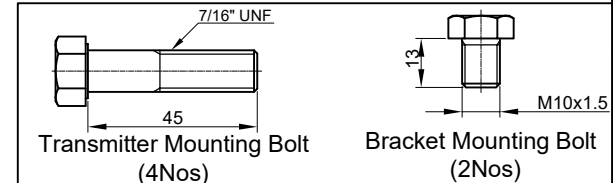
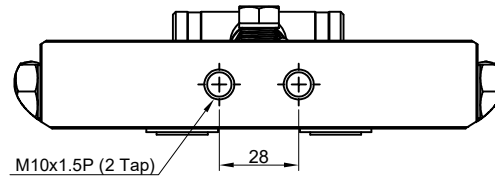
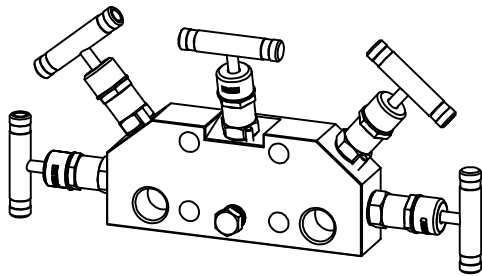
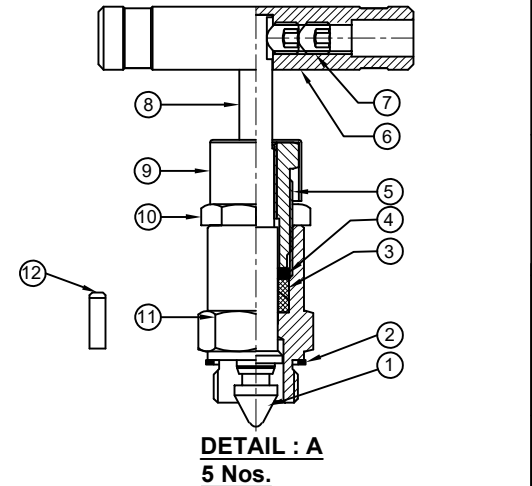
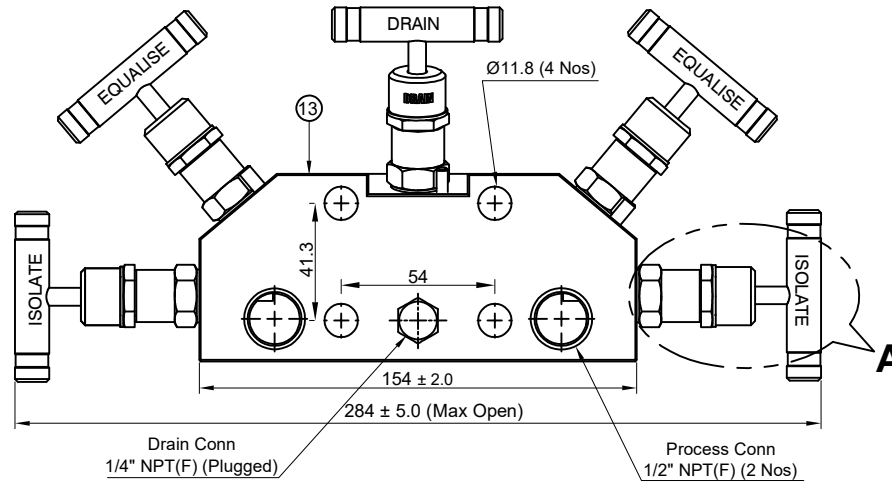
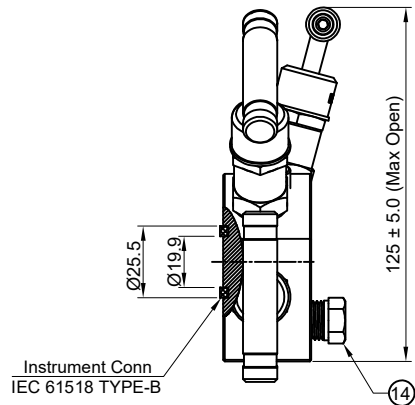
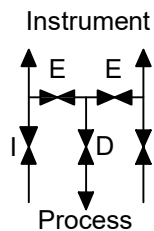


Sr No.	Description	Material	Qty
1	Tip	ASTM A479 Gr. SS316	5
2	Bonnet Packing	ASTM A479 Gr. SS316	5
3	Gland Packing	GFT	5 Set
4	Gland Washer	ASTM A479 Gr. SS316	5
5	Bonnet Pusher	ASTM A479 Gr. SS316	5
6	Handle	SS 316	5
7	Grub Screw	SS 304	10
8	Spindle	ASTM A479 Gr. SS316	5
9	Drain Cap	PVC	5
10	Check Nut	SS304	5
11	Bonnet	ASTM A479 Gr. SS316	5
12	Dowel Pin	SS304	5
13	Body	ASTM A182 Gr. F316	1
14	Drain Plug	ASTM A479 Gr. SS316	1



**TECHNICAL DETAILS:**

- Process Side: 1/2" NPT-F
- Instrument Side: Direct Mount Flg (IEC 61518 TYPE-B)
- Drain: 1/4" NPT-F (Plugged)
- Screwed Bonnet Design
- MWP : 6000 psig @100°F
- Seat Test Press (Hydro): 6600 psig
- Seat Test Press (Pneu): 90 psig
- Body Test Press(Hydro) : 9000 psig



**havi**  
Fittings & Valves  
info@havi.in www.havi.in  
A-201, PRIME TRADE CENTER  
SATIVALI ROAD, VASAI (E),  
PALGHAR - 401208, MAHARASHTRA, INDIA

	SIGN	DATE
DRAWN BY	MBC	08.03.2023
CHECKED BY	VM	08.03.2023
APPROVED BY	SRD	08.03.2023

PART NAME : 5 VALVE MANIFOLD 1/2"NPT-F X (IEC 61518 TYPE-B) X1/4" NPTF DRAIN			
DWG NO : - TV5I-8F-S6-TPB			
MATERIAL : - AS PER BOM			
REV NO	DESCRIPTION	SIGN	DATE

CUSTOMER NAME:-	
PROJECT NAME:-	
ENQ NO:EN2223/01397	
SO NO: -	
SHEET NO: 01 OF 01	REV NO: 00
SCALE: NTS	

NOTE :- UNLESS SPECIFIED ALL DIMENSIONS ARE IN mm

PATH:-G:\2022-2023\EXPORT\EN222301397\GAD