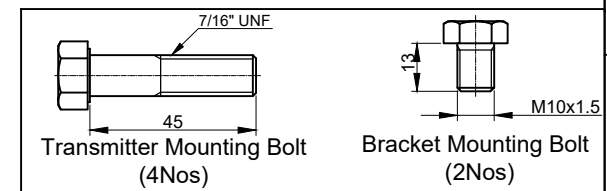
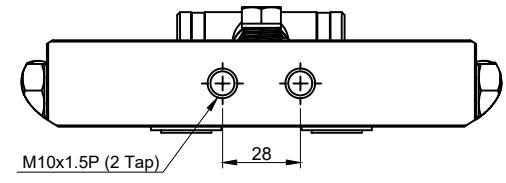
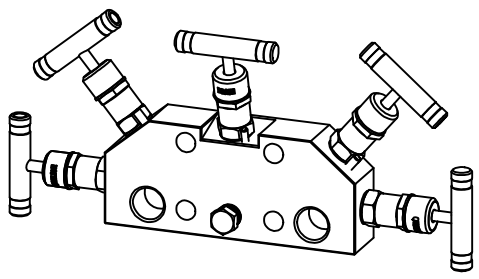
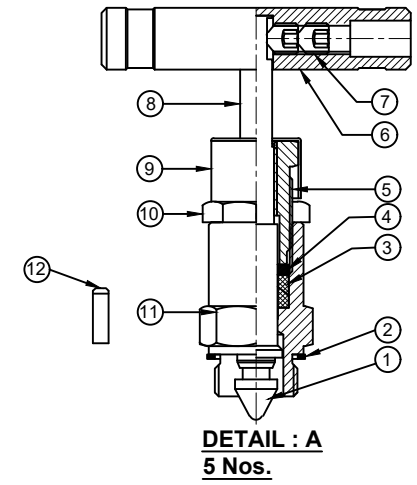
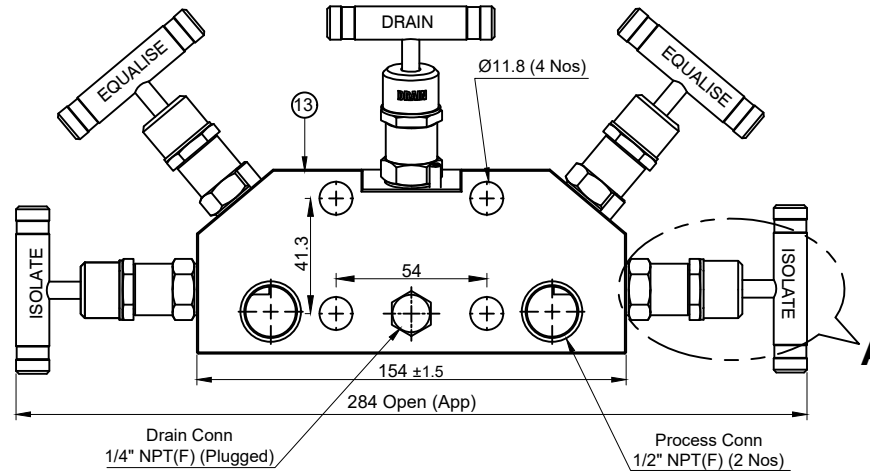
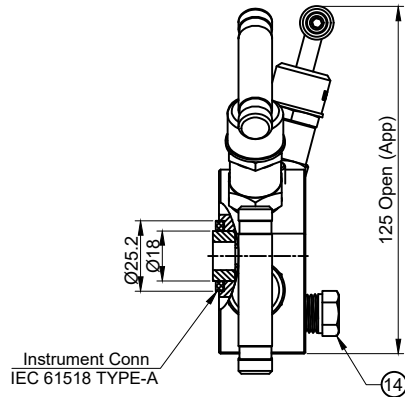
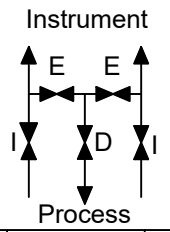


Sr No.	Description	Material	Qty
1	Tip	ASTM A479 Gr. SS316	5
2	Bonnet Packing	ASTM A479 Gr. SS316	5
3	Gland Packing	GFT	5 Set
4	Gland Washer	ASTM A479 Gr. SS316	5
5	Bonnet Pusher	ASTM A479 Gr. SS316	5
6	Handle	SS 316	5
7	Grub Screw	SS 304	10
8	Spindle	ASTM A479 Gr. SS316	5
9	Drain Cap	PVC	5
10	Check Nut	SS304	5
11	Bonnet	ASTM A479 Gr. SS316	5
12	Dowel Pin	SS304	5
13	Body	ASTM A182 Gr. F316	1
14	Drain Plug	ASTM A479 Gr. SS316	1



TECHNICAL DETAILS:

- Process Side: 1/2" NPT-F
- Instrument Side: Direct Mount Flg (IEC 61518 TYPE-B)
- Drain: 1/4" NPT-F (Plugged)
- Screwed Bonnet Design
- MWP : 6000 psig @100°F
- Seat Test Press (Hydro): 6600 psig
- Seat Test Press (Pneu): 90 psig
- Body Test Press (Hydro) : 9000 psig



 info@havi.in www.havi.in A-201, PRIME TRADE CENTER SATIVALI ROAD, VASAI (E), PALGHAR - 401208, MAHARASHTRA, INDIA	PART NAME : 5 VALVE MANIFOLD 1/2"NPT-F X (IEC 61518 TYPE-A) X1/4" NPTF DRAIN		CUSTOMER NAME:-	
	DWG NO : - TV5I-8F-S6		PROJECT NAME:-	
	MATERIAL :- AS PER BOM		ENQ NO:EN2223/00798	
DRAWN BY : SB 17.10.2022		* All dimensions are in mm. Dimensions for reference only and are subject to change without notice		SHEET NO: 01 OF 01
CHECKED BY : RW 17.10.2022		* This document is the property of Havi Engineering India Pvt. Ltd. No exploitation or release of any text contained herein or relating to this document is permitted in any form without the written consent of HAVI.		REV NO: 00
APPROVED BY : SM 17.10.2022		SO NO: -		SCALE: NTS

PATH:- Z:\2022-2023\EXPORT\EN222300798\GAD