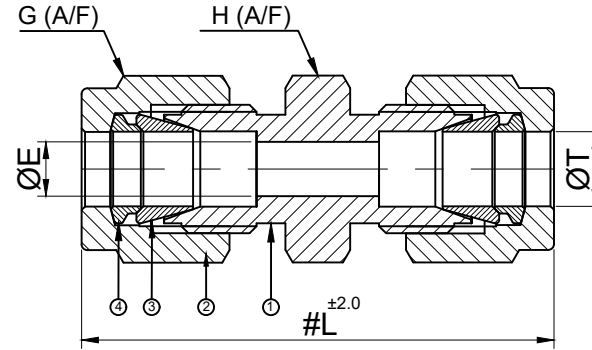


SR NO	DESCRIPTION	QTY	MATERIAL
1	BODY	1	SS 316
2	NUT	2	SS 316
3	FRONT FERRULE	2	SS 316
4	BACK FERRULE	2	SS 316



Sr.No.	PART NO	ØT	L	H (A/F)	G (A/F)	ØE
01	2U-S6	1/8"	41	11.0(7/16")	11.0(7/16")	2.0
02	4U-S6	1/4"	41	14.0(9/16")	14.0(9/16")	4.7
03	6U-S6	3/8"	46	17.5(11/16")	17.5(11/16")	7.1

NOTE:-

# NPT THREAD AS PER ANSI B 1.20.1.

# MARKED DIMENSION IS IN FINGER TIGHT POSITION.

	SIGN	DATE
DRAWN BY	PG	27-03-2023
CHECKED BY	MC	27-03-2023
APPROVED BY	SRD	27-03-2023



www.havi.in  
info@havi.in

PART NAME :- UNION - ODT x ODT				CUSTOMER NAME:-			
PART NO :- GA-U-S6				PROJECT NAME :-			
MATERIAL :- SS316				PO NO :-			
				ENQ NO:- EN2223/01092		SHEET NO: 01 OF 01	
REV NO				DESCRIPTION		SIGN	
						DATE	
				SO NO:-			
<p>* All dimensions are in mm. Dimensions for reference only and are subject to change without notice  * This document is the property of Havi Engineering India Pvt. Ltd. No exploitation or release of any text contained herein or relating to this document is permitted in any form without the written consent of HAVI.</p>							
						REV NO: 00	
						SCALE: NTS	