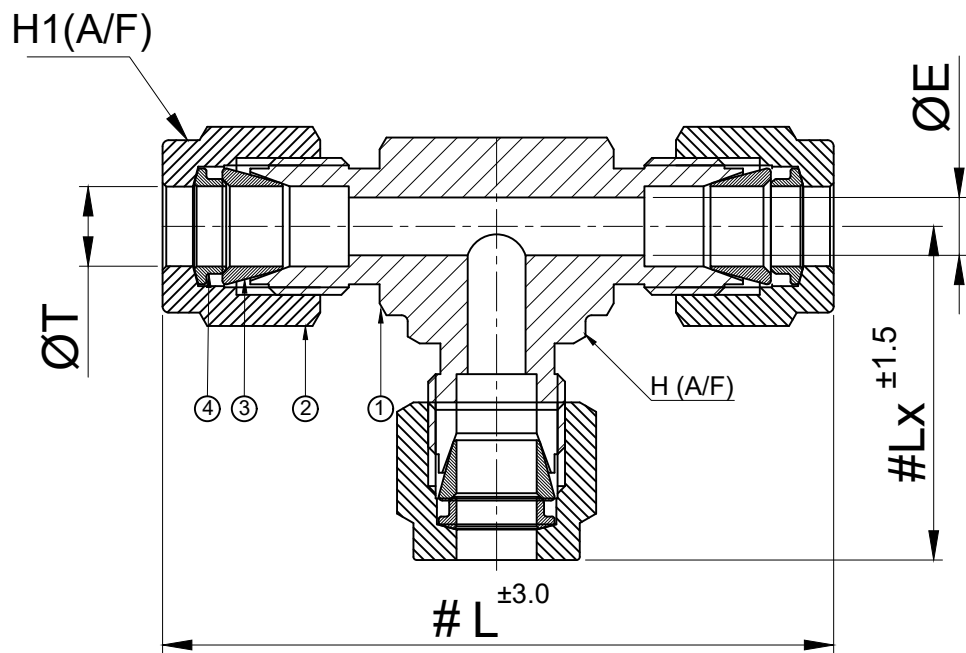


SR NO	SR NO
13	15
14	06

SR NO	PART NO	T	Lx	L	H (A/F)	H1(A/F)	ØE
13	2UT-S6	1/8"	25.5	51.0	12.5	11.0(7/16")	2.0
14	4UT-S6	1/4"	27.0	54.5	12.5	14.0(9/16")	4.7



SR NO	DESCRIPTION	QTY	MATERIAL
1	BODY	1	SS 316
2	NUT	3	SS 316
3	FRONT FERRULE	3	SS 316
4	BACK FERRULE	3	SS 316

NOTE:-

NPT THREAD AS PER ANSI B 1.20.1.

MARKED DIMENSION IS IN FINGER TIGHT POSITION.

UNSPECIFIED FORGING HEX SIZE TOLERANCES AS PER IS-3469 PART 2

	SIGN	DATE
DRAWN BY	PG	08-05-2023
CHECKED BY	VM	08-05-2023
APPROVED BY	SRD	08-05-2023



www.havi.in
info@havi.in

PART NAME : UNION TEE- TUBE OD X TUBE OD X TUBE OD				CUSTOMER NAME:-			
DWG NO : GA-UT-S6				PROJECT NAME:-			
MATERIAL : SS 316				PO NO:			
				ENQ NO : EN2324/00023			
				SHEET NO: 01 OF 01			
REV NO		DESCRIPTION		SIGN		DATE	
						SO NO:	
* All dimensions are in mm. Dimensions for reference only and are subject to change without notice							
* This document is the property of Havi Engineering India Pvt. Ltd. No exploitation or release of any text contained herein or relating to this document is permitted in any form without the written consent of HAVI.							
				REV NO: 00			
				SCALE: NTS			