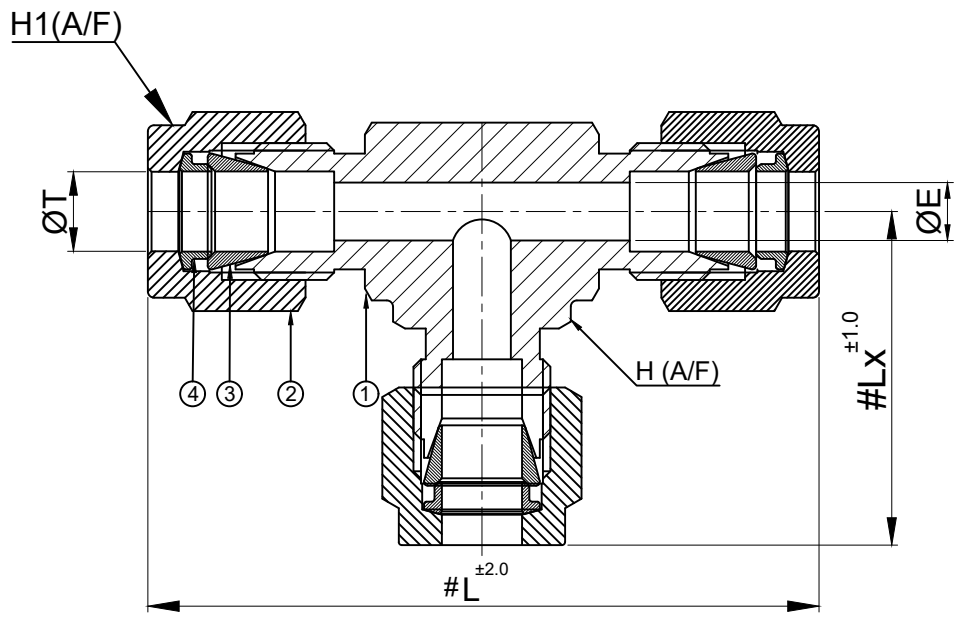


SR NO	PART NO	T	Lx	L	H (A/F)	H1(A/F)	ØE
01	4UT-S6	1/4"	27.0	54.5	12.5	14.0(9/16")	4.7
02	2UT-S6	1/8"	25.5	51.0	12.5	11.0(7/16")	2.0
03	6UT-S6	3/8"	31.0	62.0	17.5	17.5	7.1




SR NO	DESCRIPTION	QTY	MATERIAL
1	BODY	1	SS 316
2	NUT	3	SS 316
3	FRONT FERRULE	3	SS 316
4	BACK FERRULE	3	SS 316

NOTE:-

NPT THREAD AS PER ANSI B 1.20.1.

MARKED DIMENSION IS IN FINGER TIGHT POSITION.

PART NAME : UNION TEE- TUBE OD X TUBE OD X TUBE OD				CUSTOMER NAME:-			
DWG NO : GA-UT-S6				PROJECT NAME:-			
MATERIAL : SS 316				PO NO:			
				ENQ NO:- EN2223/01092			
				SO NO:			
				SHEET NO: 01 OF 01			
REV NO		DESCRIPTION		SIGN		DATE	
DRAWN BY		PG				27-03-2023	
CHECKED BY		MC				27-03-2023	
APPROVED BY		SRD				27-03-2023	
 www.havi.in info@havi.in				* All dimensions are in mm. Dimensions for reference only and are subject to change without notice			
				* This document is the property of Havi Engineering India Pvt. Ltd. No exploitation or release of any text contained herein or relating to this document is permitted in any form without the written consent of HAVI.			
				REV NO: 00			
				SCALE: NTS			

PATH-J:\2022-2023\EXPORT\EN222301092