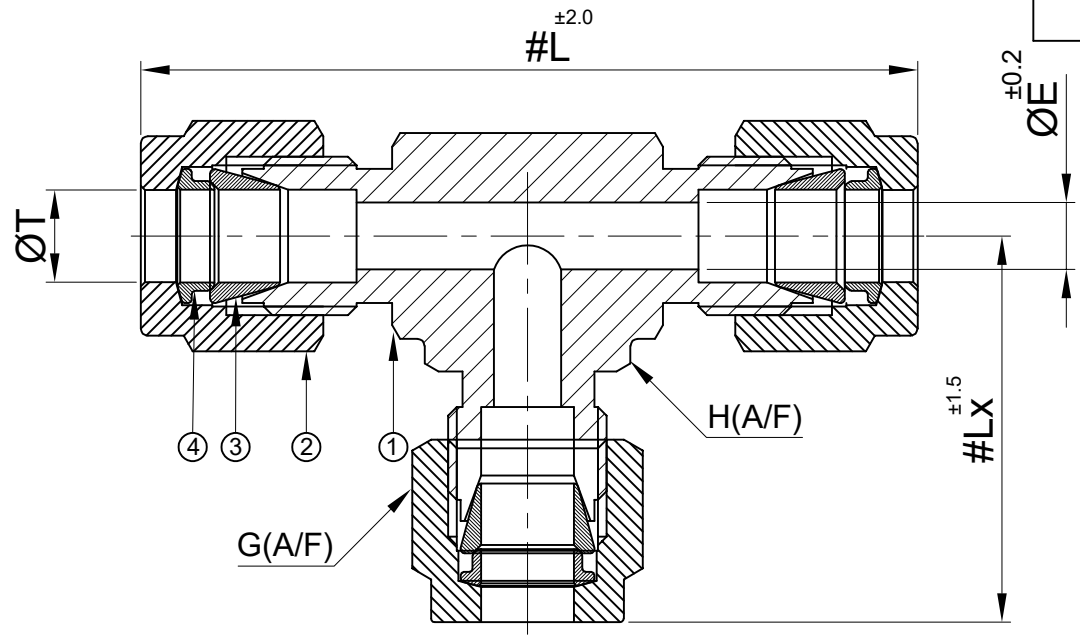


SR NO	DESCRIPTION	QTY	MATERIAL
1	BODY	1	SS316
2	NUT	3	SS316
3	FRONT FERRULE	3	SS316
4	BACK FERRULE	3	SS316



PART NO	ØT	Lx	L	H (A/F)	G (A/F)	ØE
6MUT-S6	6mm	27.2	54.5	12.5	14.0	4.2
10MUT-S6	10mm	31.5	63.0	17.5	19.0	7.9

PATH:-\\192.168.0.10\ENQUIRIES\2022-2023\EXPORT\EN2223\00089\GAD

NOTE:
 • # MARKED DIMENSION IS IN FINGER TIGHT POSITION.

	SIGN	DATE
DRAWN BY	RW	04.05.2022
CHECKED BY	VK	04.05.2022
APPROVED BY	SM	04.05.2022



PART NAME : UNION TEE ODT x ODT x ODT				CUSTOMER NAME:-							
DWG NO : GA-UT-S6				PROJECT NAME:-							
MATERIAL : AS PER BOM				PO NO: -							
REV NO				DESCRIPTION		SIGN		DATE		SO NO: -	
* All dimensions are in mm. Dimensions for reference only and are subject to change without notice										SHEET NO: 01 OF 01	
* This document is the property of Havi Engineering India Pvt. Ltd. No exploitation or release of any text contained herein or relating to this document is permitted in any form without the written consent of HAVI.										REV NO: 00	
										SCALE: NTS	