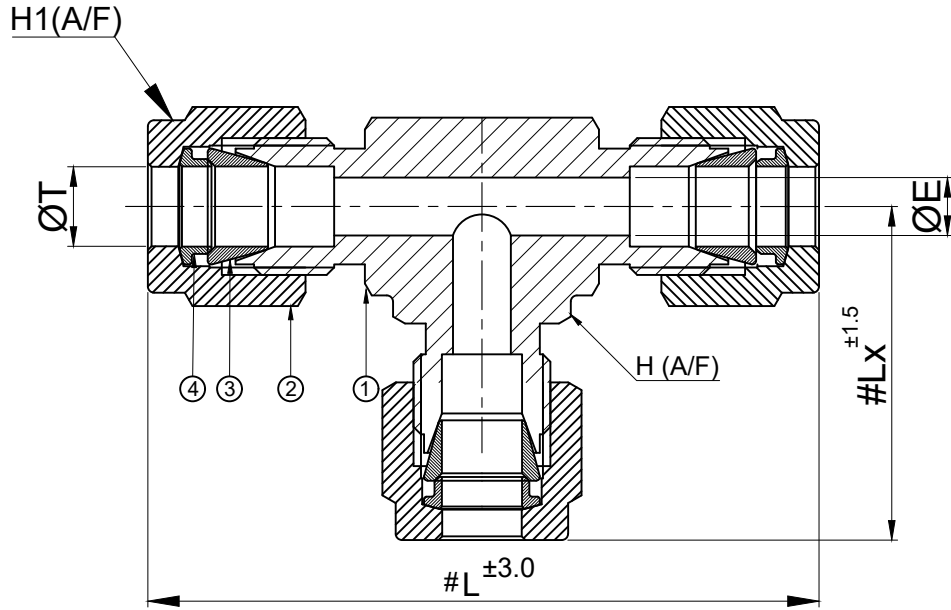


PART NO	T	Lx	L	H (A/F)	H1(A/F)	ØE
6MUT-S6	6mm	27.5	55.0	12.5(1/2")	14.0(9/16")	4.2
12MUT-S6	12mm	37.5	75.0	20.5(13/16")	22.0(7/8")	9.5
14MUT-S6	14mm	41.0	82.0	27.0(1-1/16")	25.0(1")	11.7



SR NO	DESCRIPTION	QTY	MATERIAL
1	BODY	1	SS 316
2	NUT	3	SS 316
3	FRONT FERRULE	3	SS 316
4	BACK FERRULE	3	SS 316

Notes:-

- 1) ALL DIMENSION ARE IN mm, UNLESS OTHERWISE SPECIFIED.
- 2) NPT THREAD AS PER ANSI B 1.20.1.
- 3) UNSPECIFIED FORGING HEX SIZE TOLERANCES AS PER IS-3469 PART 2
- 4) # MARKED DIMENSION IS IN FINGER TIGHT POSITION.

	SIGN	DATE
DRAWN BY	PG	15.05.2023
CHECKED BY	VM	15.05.2023
APPROVED BY	SRD	15.05.2023



www.havi.in
info@havi.in

PART NAME : UNION TEE- TUBE OD X TUBE OD X TUBE OD				CUSTOMER NAME:-									
DWG NO : GA-UT-S6				PROJECT NAME:-									
MATERIAL : SS 316				END USER NAME:									
REV NO				DESCRIPTION		SIGN		DATE		SO NO :		SHEET NO: 01 OF 01	
* All dimensions are in mm. Dimensions for reference only and are subject to change without notice												REV NO: 00	
* This document is the property of Havi Engineering India Pvt. Ltd. No exploitation or release of any text contained herein or relating to this document is permitted in any form without the written consent of HAVI.												SCALE: NTS	