

IR6000 Series

Two-Stage, General Purpose Pressure Regulator

Internal Threadless • Stainless Steel



Value Proposition:

With an inlet pressure up to 4,000 psig, Parker's IR6000 two-stage regulator offers high pressure capability with stable pressure control. This general-purpose series features a large, convoluted Hastelloy® diaphragm that provides high corrosion resistance. Close tolerances and tight alignment of moving components minimizes hysteresis and improves cycle life.

Product Features:

- Unique compression member loads the seal to the body without requiring a threaded nozzle or additional seals
- Internally threadless design reduces particle generation; low internal volume reduces purge times.
- Positive upward and downward stops increase cycle life by preventing over stroking of the diaphragm
- Selection of seat materials for media compatibility and temperature applications

Specifications:

Functional Performance	
Design	
Burst Pressure	12,000 psig (828 barg)
Proof Pressure	6,000 psig (414 barg)
Flow Capacity	
C _v Options	C _v 0.06 (std), C _v 0.02, C _v 0.15
Leak Rate	
Internal	Bubble Tight
External	Bubble Tight
Supply Pressure Effect	Based upon C _v Option
0.02 C _v	0.01 psig/100 psig (0.0007 barg/7 barg)
0.06 C _v	0.01 psig/100 psig (0.0007 barg/7 barg)
0.15 C _v	0.02 psig/100 psig (0.001 barg/7 barg)
Internal Volume	8.1 cc without fittings
Approximate Weight	3.5 lbs. (1.6 kg)
Operating Conditions	
Maximum Inlet	Refer to Range Table for specific information
Outlet Options	0 - 10 psig (.7 barg), 1-30 psig (2 barg) 2 - 60 psig (4 barg), 3-100 psig (7 barg) 10-250 psig (17 barg)
Temperature	Metal Knob required for temperature above 150°F
PCTFE	-40°F to 150°F (-40°C to 66°C)
PEEK™	-40°F to 275°F (-40°C to 135°C)
Vespel®	-40°F to 500°F (-40°C to 260°C)
Self-Relieving Option	-40°F to 150°F (-40°C to 66°C)

Material of Construction	
Wetted	
Body Options	316L Stainless Steel (Consult factory for Alloyed Material Availability)
Compression Member	Inconel® 625
Diaphragm	Hastelloy® C-22
Poppet	Hastelloy® C-22
Poppet Spring	Inconel® X750
Seat Options	PCTFE (std) Vespel® or PEEK™
Carrier Options	316L Stainless Steel (std) or Hastelloy® C-22
Washer Backup Options	316 Stainless Steel (std) or Hastelloy® C-22
O-Ring Backup Options	FKM (std) or PTFE
Inlet Screen/Filter	316 Stainless Steel (std) (60µm mesh screen, 10µm filter) (Consult factory for alloyed body material availability)
Self Relieving Seat	PEEK™
Non-Wetted	
Cap Options	Nickel Plated Brass or Stainless Steel
Nut	Stainless Steel
Knob Options	ABS (std) or Aluminum

For additional information on materials of construction, functional performance and operating conditions, please contact factory.

Hastelloy® C-22 and Hastelloy® C-276 are registered trademarks of Haynes International, Inc. PEEK™ is a trademark of Victrex plc. Inconel® and Monel® are registered trademarks of Special Metals Corporation. Vespel® is a registered trademark of DuPont Performance Elastomers L.L.C.

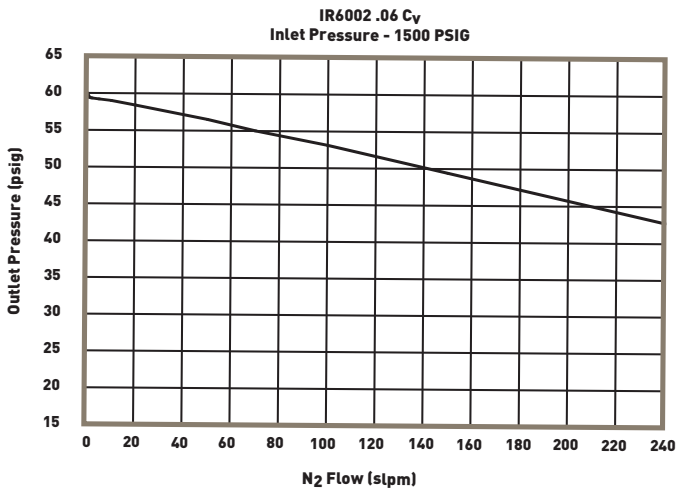
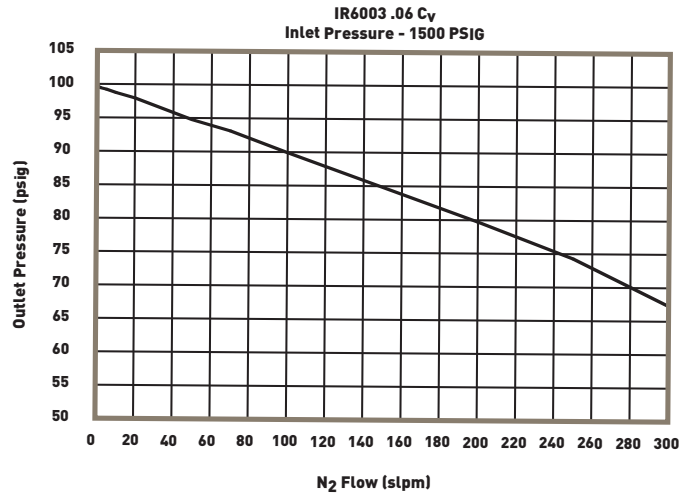
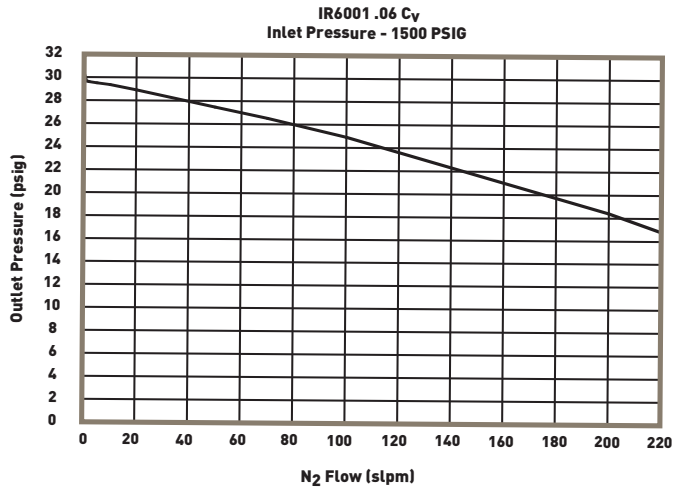


INSTRUMENTATION PRODUCTS DIVISION

ENGINEERING YOUR SUCCESS.

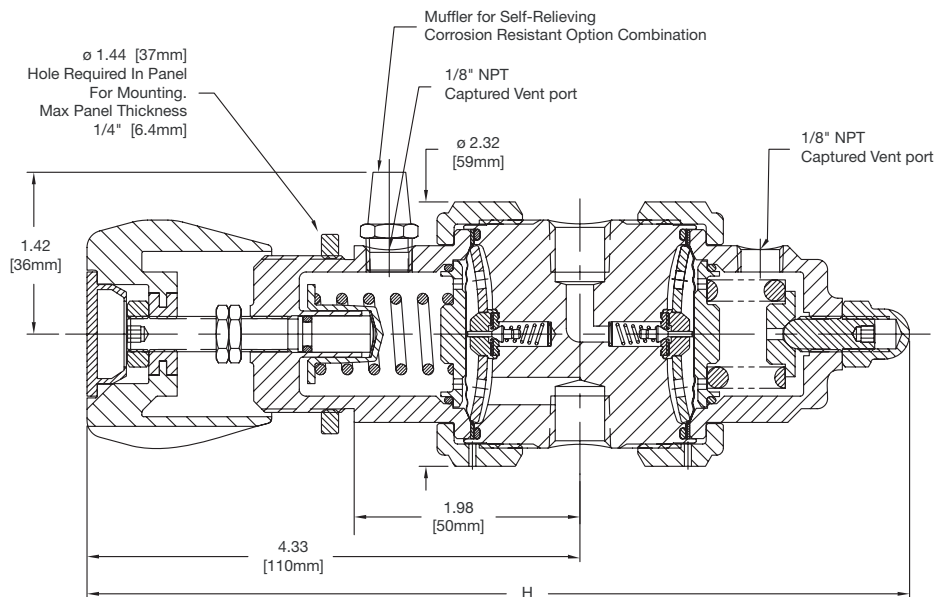
IR6000 Series

Flow Curve:



RANGE TABLE			
Basic Model	Maximum Inlet PSIG		
	0.06 Cv	0.02 Cv	0.15 Cv
IR6000	4,000	4,000	1,250
IR6001	4,000	4,000	1,250
IR6002	4,000	4,000	1,250
IR6003	4,000	4,000	1,250
IR6004	4,000	4,000	1,250

Dimensional Drawing:



OVERALL TABLE HEIGHT	
Basic Model	H
IR6000	7.22 (183.4 mm)
IR6001	7.22 (183.4 mm)
IR6002	7.22 (183.4 mm)
IR6003	7.22 (183.4 mm)
IR6004	7.22 (183.4 mm)

IR6000 Series

Ordering Information:

Building a Part Number: *Example: IR6002SK4P01304BS*

Example Part Number:	IR60	02	S		K		4P	01	30	4	B	S
Ordering Parameters/Options:	Regulator	Basic Series	Body Material	Flow Capacity	Seat Material		Porting	Outlet Gauge	Inlet Gauge	Port Style	Port Mounting	Optional Features
Table Reference: (see below)	A	B	C	D	E		F	G	H	I	J	K

A - Regulator

IR60	IR6000 Series Regulator
------	-------------------------

B - Basic Series (Range / Outlet Gauge)

00	0-10 psig (Note: Maximum inlet pressure is 400 psig)
01	1-30 psig
02	2-60 psig
03	3-100 psig
04	10-250 psig

C - Body Material (1)

S	316L Stainless Steel (Consult factory for Alloy Material options and availability)
---	--

D - Flow Capacity

	0.06 C _v (std)
1	0.02 C _v
2	0.15 C _v

E - Seat Material

K	PCTFE
P	PEEK™
V	VespeI® (Recommended for Nitrous Oxide (N ₂ O) Service)

F - Porting

2P	2 Ports (No X required for gauges, inlet and outlet ports only)
3P	3 Ports (One X for gauge ports)
4P	4 Ports (Two X for gauge ports)
4PB	4 Ports (One X for gauge ports)
5P	5 Ports (Two X for gauge ports)
6P	6 Ports (Two X for gauge ports)

Note: Ports may be plugged for NPT threaded product.

G - Outlet Gauge / Basic Series

03	0-30 psig / IR6000
OL	0-60 psig / IR6001
01	0-100 psig / IR6002
2	0-200 psig / IR6003
4	0-400 psig / IR6004
X	No Gauge (Gauges may be provided by local Parker Distributor)

H - Inlet Gauge

X	No Gauge
30	3,000 psig (std)
20	2,000 psig with the 0.15 C _v option
40	4,000 psig

I - Port Style

4	1/4" NPT Female (All Gauges ports are 1/4" NPT Female)
---	--

J - Port Mounting

B	Standard (No other options)
---	-----------------------------

K - Optional Features (This section can have multiple options)

C	Corrosion Resistant External (Stainless Steel Cap)
G	Tamper Proof (Not available with M option)
L	PTFE Back Up O-ring (PCTFE and PEEK™ Seats Only)
M	Metal Knob (Black: Not available with G option, required for temps. above 150° F)
S	Self Relieving (Temperature Rating)
C3	Cleaned for Oxygen Service (Oxygen cleaning requirements are in accordance with Parker Specification ES8003)

Note:

Panel Mount Option: Order Panel Mount Nut Ring (PN: IR4-Panel-Nut-B-NP) as separate line item

Vent Muffler Option: Vent Muffler (PN: Muffler-2F-Bronze) as separate line item.

Vent Muffler is standard for the Self Relieving (S), Corrosion Resistant (C) option combination

Note:

A gas with low molecular weight, such as Hydrogen and Helium, may cause flow vibration.

Parker Instrumentation Products Division reserves the right to plug NPT ports

Parker Worldwide

North America

USA – Corporate, Cleveland, OH
Tel: +1 256 896 3000

USA – IPD, Huntsville, AL
Tel: +1 256 881 2040
ipdcct@parker.com

USA – IPD, (Autoclave), Erie, PA
Tel: +1 814 860 5700
ipdaect@parker.com

CA – Canada, Grimsby, Ontario
Tel: +1 905-945-2274
ipd_canada@parker.com

South America

AR – Argentina, Buenos Aires
Tel: +54 3327 44 4129
falecom@parker.com

BR – Brazil, Diadema, SP
Tel: +55 11 4360 6700
falecom@parker.com

CL – Chile, Santiago
Tel: +56 (0) 2 2303 9640
falecom@parker.com

MX – Mexico, Toluca
Tel: +52 722 275 4200
contacto@parker.com

Asia Pacific

AU – Australia, Dandenong
Tel: +61 (0)2 9842 5150
customer.service.au@parker.com

CN – China, Shanghai
Tel: +86 21 2899 5000
INGtechnical.china@parker.com

HK – Hong Kong
Tel: +852 2428 8008

IN – India, Mumbai
Tel: +91 22 6513 7081-85

ID – Indonesia, Tangerang
Tel: +62 2977 7900
parker.id@parker.com

JP – Japan, Tokyo
Tel: +(81) 3 6365 4020
infophj@parker.com

KR – South Korea, Seoul
Tel: +82 2 559 0400
parkerkr@parker.com

MY – Malaysia, Selangor
Tel: +603 784 90 800
parkermy@parker.com

SG – Singapore,
Tel: +65 6887 6300
parkerkg@parker.com

TH – Thailand, Bangkok
Tel: +66 2 186 7000
phthailand@parker.com

TW – Taiwan, Taipei
Tel: +886 2 2298 8987
enquiry.taiwan@parker.com

VN – Vietnam, Hochi Minh City
Tel: +848 382 508 56
parker_viet@parker.com

Europe, Middle East, Africa

AE – UAE, Dubai
Tel: +971 4 812 7100
parker.me@parker.com

AT – Austria, Wiener Neustadt
Tel: +43 (0)2622 23501-0
parker.austria@parker.com

AT – Eastern Europe, Wiener Neustadt
Tel: +43 (0)2622 23501 900
parker.easteurope@parker.com

AZ – Azerbaijan, Baku
Tel: +994 50 2233 458
parker.azerbaijan@parker.com

BE/LU – Belgium, Nivelles
Tel: +32 (0)67 280 900
parker.belgium@parker.com

BG – Bulgaria, Sofia
Tel: +359 2 980 1344
parker.bulgaria@parker.com

BY – Belarus, Minsk
Tel: +48 (0)22 573 24 00
parker.belarus@parker.com

CH – Switzerland, Etoy
Tel: +41 (0) 21 821 87 00
parker.switzerland@parker.com

CZ – Czech Republic, Klecany
Tel: +420 284 083 111
parker.czechrepublic@parker.com

DE – Germany, Kaarst
Tel: +49 (0)2131 4016 0
parker.germany@parker.com

DK – Denmark, Ballerup
Tel: +45 43 56 04 00
parker.denmark@parker.com

ES – Spain, Madrid
Tel: +34 902 33 00 01
parker.spain@parker.com

FI – Finland, Vantaa
Tel: +358 (0)20 753 2500
parker.finland@parker.com

FR – France, Contamine s/Arve
Tel: +33 (0)4 50 25 80 25
parker.france@parker.com

GR – Greece, Athens
Tel: +30 210 933 6450
parker.greece@parker.com

HU – Hungary, Budapest
Tel: +36 223 885 470
parker.hungary@parker.com

IE – Ireland, Dublin
Tel: +353 (0)1 466 6370
parker.ireland@parker.com

IT – Italy, Corsico (MI)
Tel: +39 02 45 19 21
parker.italy@parker.com

KZ – Kazakhstan, Almaty
Tel: +7 7273 561 000
parker.easteurope@parker.com

NL – The Netherlands, Oldenzaal
Tel: +31 (0)541 585 000
parker.nl@parker.com

NO – Norway, Stavanger
Tel: +47 66 75 34 00
parker.norway@parker.com

PL – Poland, Warsaw
Tel: +48 (0)22 573 24 00
parker.poland@parker.com

PT – Portugal, Leca da Palmeira
Tel: +351 22 999 7360
parker.portugal@parker.com

RO – Romania, Bucharest
Tel: +40 21 252 1382
parker.romania@parker.com

RU – Russia, Moscow
Tel: +7 495 645-2156
parker.russia@parker.com

SE – Sweden, Spånga
Tel: +46 (0)8 59 79 50 00
parker.sweden@parker.com

SK – Slovakia, Banská Bystrica
Tel: +421 484 162 252
parker.slovakia@parker.com

SL – Slovenia, Novo Mesto
Tel: +386 7 337 6650
parker.slovenia@parker.com

TR – Turkey, Istanbul
Tel: +90 216 4997081
parker.turkey@parker.com

UA – Ukraine, Kiev
Tel: +48 (0)22 573 24 00
parker.ukraine@parker.com

UK – United Kingdom, Warwick
Tel: +44 (0)1926 317 878
parker.uk@parker.com

ZA – South Africa, Kempton Park
Tel: +27 (0)11 961 0700
parker.southafrica@parker.com

WARNING

FAILURE, IMPROPER SELECTION OR IMPROPER USE OF THE PRODUCTS AND/OR SYSTEMS DESCRIBED HEREIN OR RELATED ITEMS CAN CAUSE DEATH, PERSONAL INJURY AND PROPERTY DAMAGE.

This document and other information from Parker Hannifin Corporation, its subsidiaries and authorized distributors provide product and/or system options for further investigation by users having technical expertise. It is important that you analyze all aspects of your application and review the information concerning the product or system in the current product catalog. Due to the variety of operating conditions and applications for these products or systems, the user, through its own analysis and testing, is solely responsible for making the final selection of the products and systems and assuring that all performance, safety and warning requirements of the application are met. The products described herein, including without limitation, product features, specifications, designs, availability and pricing, are subject to change by Parker Hannifin Corporation and its subsidiaries at any time without notice. Proposition 65 Warning: This product contains chemicals known to the state of California to cause cancer or birth defects or other reproductive harm.

Offer of Sale

The items described in this document are available for sale by Parker Hannifin Corporation, its subsidiaries or its authorized distributors. Any sale contract entered by Parker will be governed by the provisions stated in Parker's standard terms and conditions of sale (copy available upon request).

©2017 Parker Hannifin Corporation | Instrumentation Products Division

Literature #: **25000141** Nov 2017



Instrumentation Products Division
1005 A Cleaner Way
Huntsville, AL 35805 • USA
Tel: 256 881 2040
Fax: 256 881 5072

ipd.sales@parker.com
www.parker.com/ipd
Mobile Application: m.parker.com/ipd

IR6000 SERIES: Two Stage, General Purpose Pressure Regulator



ENGINEERING YOUR SUCCESS.