

Needle and Manifold Valves



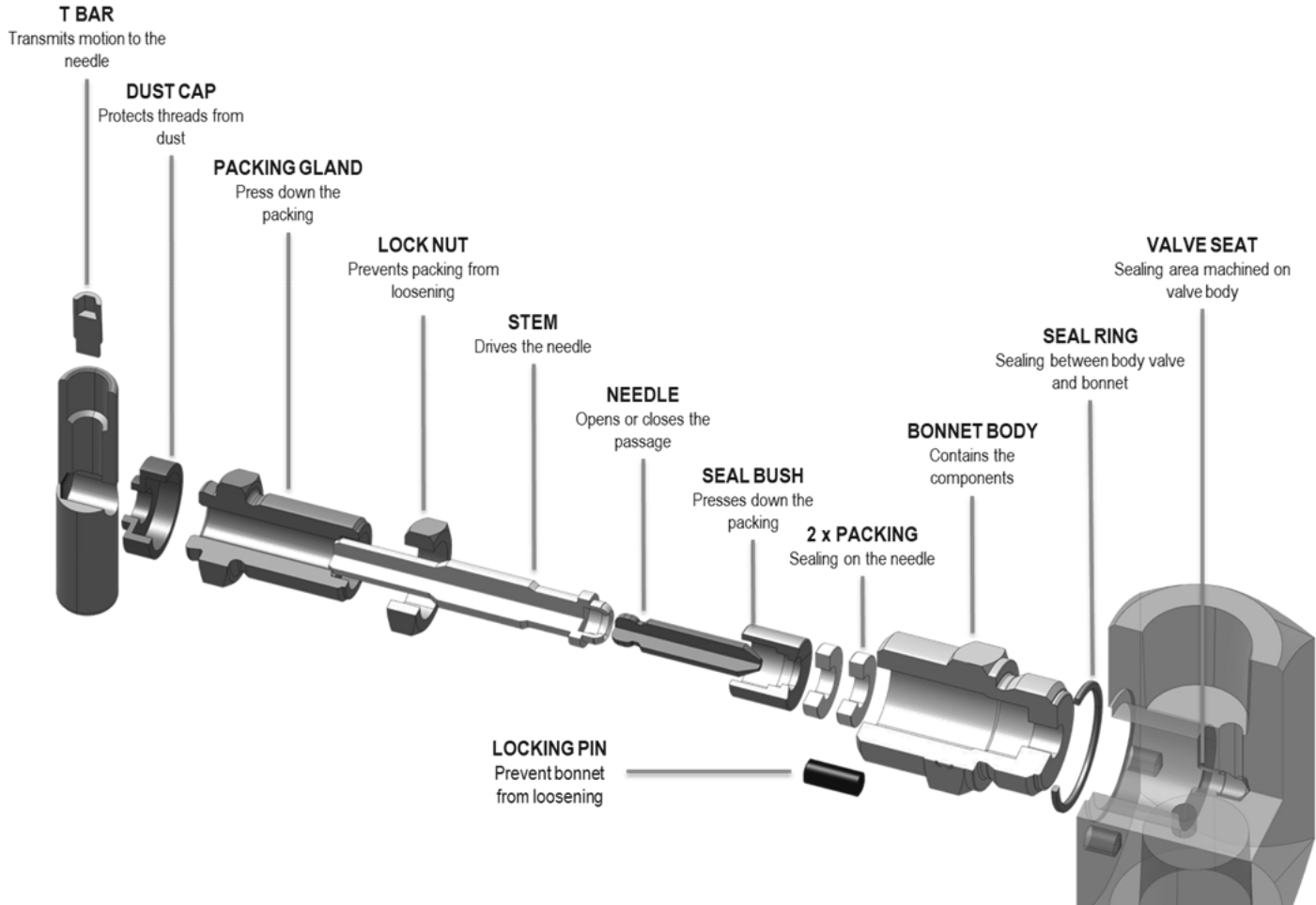
Needle Valve

Non-rotating Metal Stem Tip

A non rotating stem tip is typically used in high cycle applications to extend the service life of the valve. Its purpose is to prevent the galling of the valve seat in contact with the non-rotating stem, which is driven straight into it without rotating.

- Tee bar easy manoeuvrability with minimum effort
- PTFE packing standard, optional Graphite
- Stainless steel construction as standard, optional: carbon steel LF2, Duplex, Super Duplex, Monel 400, Hastelloy C276, etc.
- Colour coded functional identification
- Externally adjustable gland
- Variety of end connections
- Dust cap to prevent contaminations on the operating thread.

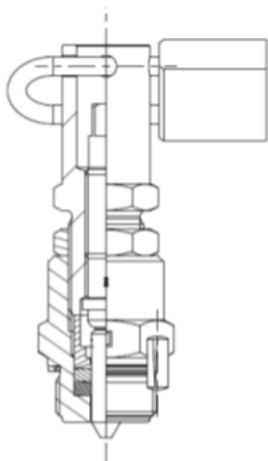
BILL OF MATERIALS	
T-BAR	AISI 304 (optional 316L)
DUST CAP	HYTREL
PACKING GLAND	AISI 316L
LOCK NUT	AISI 316L
STEM	AISI 316L
NON-ROTATING NEEDLE	AISI 316L
SEAL BUSH	AISI 316L
PACKING (NEEDLE)	PTFE / GRAPHITE
BONNET BODY	AISI 316L
SEAL RING	AISI 316L
LOCKING PIN	AISI 304 (optional 316L)



Needle Valve

Locking Devices and Anti-Tamper

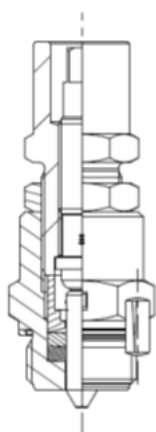
A wide range of locking devices is available on our products



Locking Device

Lockable Anti-Tamper

The Anti-Tamper accommodates shackles of diameter 0.25" (6.4 mm) or smaller and can be locked.

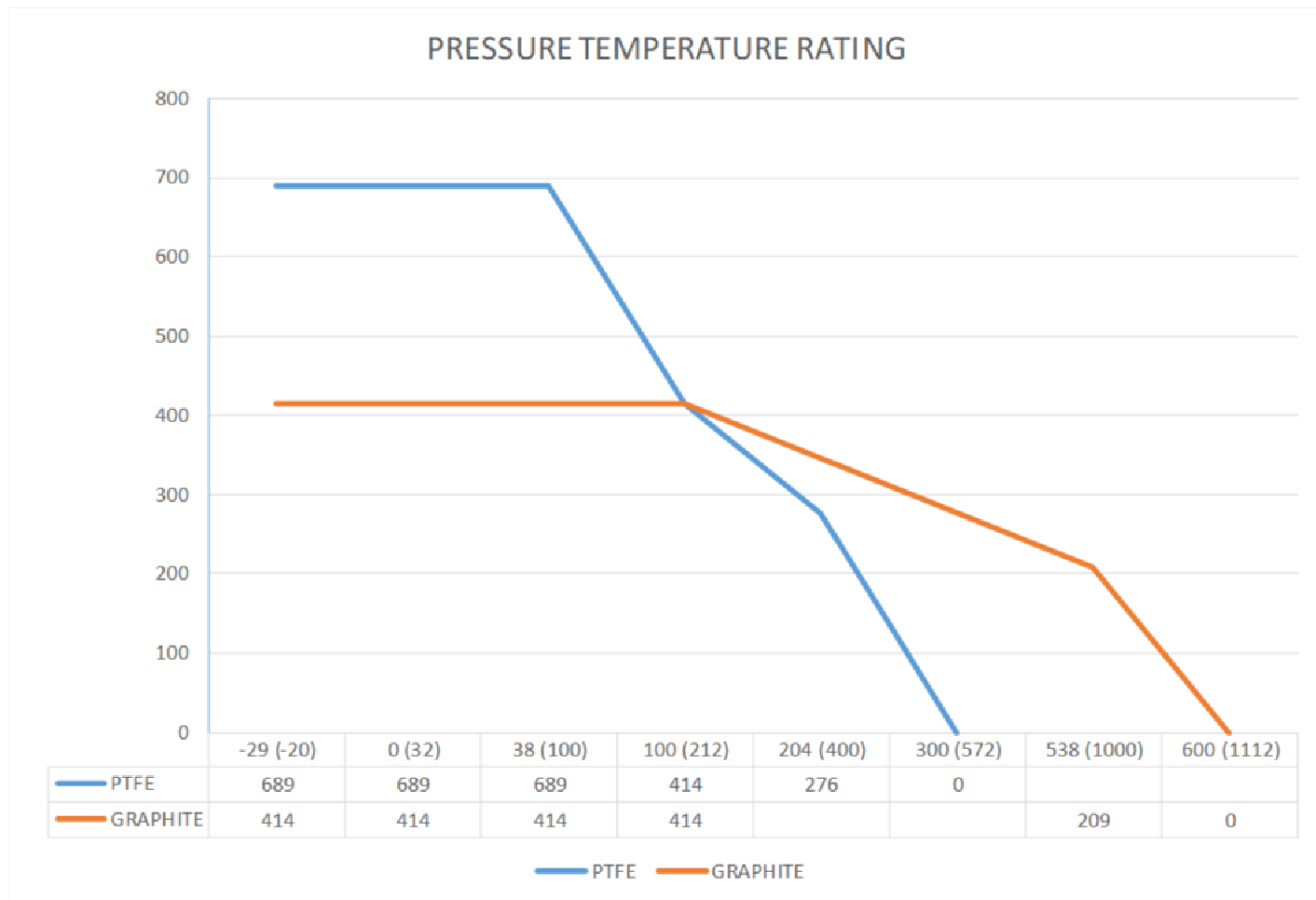


Anti-Tamper

The Anti-Tamper handle reduces the risk of human error and deliberate tampering. The valve can be operated with the Anti-Tamper key, provided separately.

Needle Valve

Pressure/Temperature chart



Features

- All Valves are 100% factory tested.
- NACE MR01.75 certified wetted parts available upon request.
- 3.1 certificate and pressure test for valve body included in our standard supply (optional: 3.1 certificate for all
 - wetted parts).
- Optional cleaning and lubrication suitable for Oxygen service.

Ordering Information - Needle Valves

Sami Instruments needle valves and manifolds are available in a variety of materials and end connections.
 Pressure from 6000 Psi (413 Bar) up to 10,000 Psi (690 Bar)
 Temperature rating PTFE packing from -46°C to + 210°C (-50°F / + 400°F)
 Temperature rating GRAPHITE packing from -46°C to + 530° C (-50°F / + 1000°F)

VERSION	RATING	INLET		OUTLET		MATERIAL	PACKING	BONNET	OPTIONS
1000	C	B	A	B	A	B	A	A	L

VERSION		RATING		INLET			
1000+1700	Bar stock needle valves	B	3,000 PSI	B	1/4 "	A	NPT
		C	6,000 PSI	C	3/8 "	B	BSPP
		D	10,000 PSI	D	1/2 "	C	BSPT
				E	3/4 "	D	S.W.
				F	Ø *	E	B.W.
				G	1 "	F	O.D.
				I	M20	N	X 1,5

OUTLET				MATERIAL		PACKING		BONNET	
B	1/4 "	A	NPT	B	Aisi 316 L	A	PTFE	A	Std Bonnet
C	3/8 "	B	BSPP	D	Duplex F51	B	Graphite	C	Mini Bonnet
D	1/2 "	C	BSPT	E	Super Duplex F55			E	Extended Bonnet
E	3/4 "	D	S.W.	F	Monel 400				
F	Ø *	E	B.W.	G	Hastelloy C276				
G	1 "	F	O.D.						
I	M20	N	X 1,5						

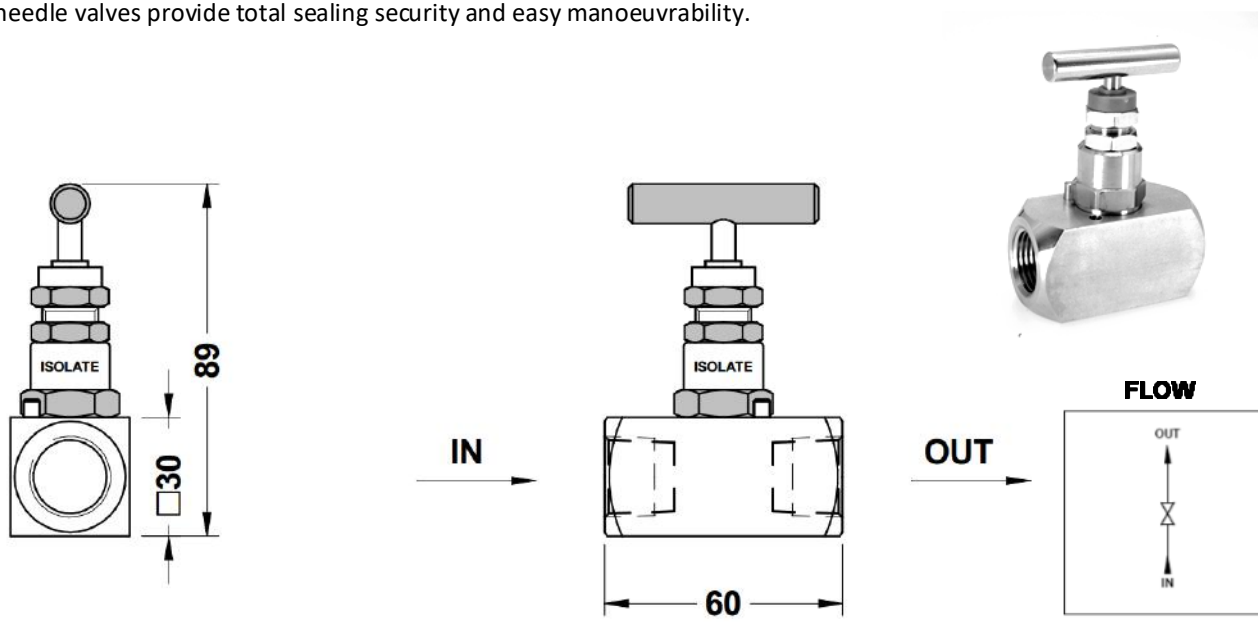
Other materials available on request

OPTIONS			
Q	All bonnets locking device	L	Oxygen Cleaning
R	Isolate Anti-tamper	P	Panel Mounting
X	Handle bar in 316/316L		

1000 Series

Needle Valves 6,000 psi & 10,000 psi

Bar stock needle valves are designed for operation up to 10,000 psi rating. With standard PTFE stem packing & self centering non-rotating stem, our needle valves provide total sealing security and easy manoeuvrability.



Features

- IN : FEMALE ; 1/4"...1"
- OUT : FEMALE 1/4"... 1"
- MATERIAL: AISI 316L
- BAR STOCK BODY

Specifications

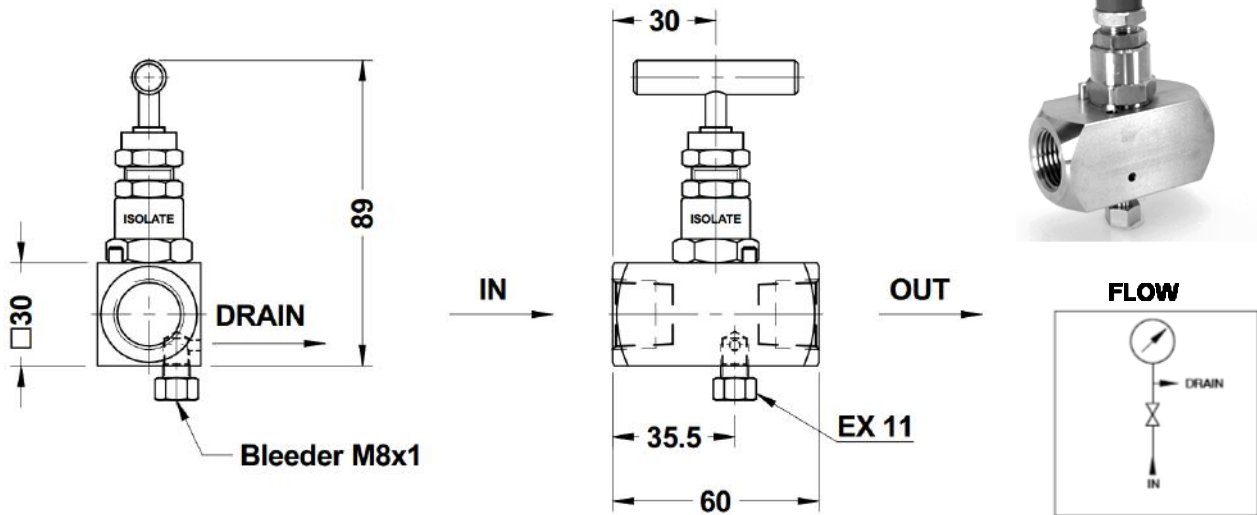
- Pressure up to 10,000 Psi (690 Bar)
- Temperature rating PTFE packing from -46°C to +210°C (-50°F / + 400°F)
- Temperature rating GRAPHITE packing from -46°C to + 530° C (-50°F / + 1000°F)
- Standard orifice diameter 4.0 mm
- Standard 316L stainless steel material

Item	Rating psi	In Size		Out size		Packing	Material
1000CBABABAA	C=6k; D10k	1/4"	NPT-F	1/4"	NPT-F	A=PTFE ; B= Graphite	316L
1000CBBBBBAA	C=6K	1/4"	BSP-F	1/4"	BSP-F	A=PTFE ; B= Graphite	316L
1000CCACABAA	C=6k; D10k	3/8"	NPT-F	3/8"	NPT-F	A=PTFE ; B= Graphite	316L
1000CDADABAA	C=6k; D10k	1/2"	NPT-F	1/2"	NPT-F	A=PTFE ; B= Graphite	316L
1000CDBDBBAA	C=6k; D10k	1/2"	BSP-F	1/2"	BSP-F	A=PTFE ; B= Graphite	316L
1000CEAEABAA	C=6K	3/4"	NPT-F	3/4"	NPT-F	A=PTFE ; B= Graphite	316L
1000CGAGABAA	C=6K	1"	NPT-F	1"	NPT-F	A=PTFE ; B= Graphite	316L

1050 Series

Needle Valves 6,000 psi & 10,000 psi

Bar stock needle valves are designed for operation up to 10,000 psi rating. With standard PTFE stem packing & self centering non-rotating stem, our needle valves provide total sealing security and easy manoeuvrability.



Features

- IN : FEMALE ; 1/4"...1/2"
- OUT : FEMALE 1/4"... 1/2"
- MATERIAL: AISI 316L
- BAR STOCK BODY
- WITH BLEEDER M8X1

Specifications

- Pressure up to 10,000 Psi (690 Bar)
- Temperature rating PTFE packing from -46° C to +210°C (-50°F / + 400°F)
- Temperature rating GRAPHITE packing from -46°C to + 530° C (-50°F / + 1000°F)
- Standard orifice diameter 4.0 mm
- Standard 316L stainless steel material

Item	Rating	In Size		Out size		Packing	Material
1050CBABABAA	C=6k; D10k	1/4"	NPT-F	1/4"	NPT-F	A=PTFE ; B= Graphite	316L
1050CDADABAA	C=6k; D10k	1/2"	NPT-F	1/2"	NPT-F	A=PTFE ; B= Graphite	316L

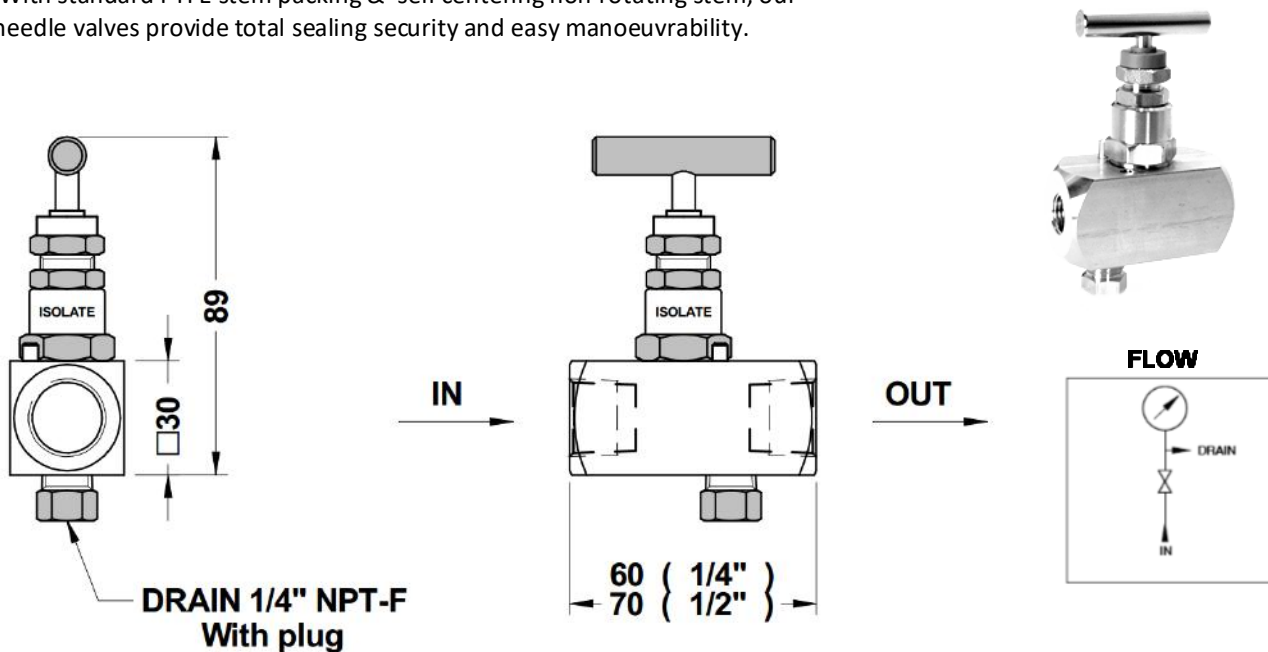
Included accessories:

- no. 1 bleeder plug

1100 Series

Needle Valves 6,000 psi & 10,000 psi

Bar stock needle valves are designed for operation up to 10,000 psi rating. With standard PTFE stem packing & self centering non-rotating stem, our needle valves provide total sealing security and easy manoeuvrability.



Features

- IN : FEMALE ; 1/4"...1/2"
- OUT : FEMALE 1/4"... 1/2"
- MATERIAL: AISI 316L
- BAR STOCK BODY
- DRAIN 1/4" NPT-F WITH PLUG

Specifications

- Pressure up to 10,000 Psi (690 Bar)
- Temperature rating PTFE packing from -46°C to +210°C (-50°F / + 400°F)
- Temperature rating GRAPHITE packing from -46°C to + 530° C (-50°F / + 1000°F)
- Standard orifice diameter 4.0 mm
- Standard 316L stainless steel material

Item	Rating	In Size		Out size		Packing	Material
1100CBABABAA	C=6k; D10k	1/4"	NPT-F	1/4"	NPT-F	A=PTFE ; B= Graphite	316L
1100CDADABAA	C=6k; D10k	1/2"	NPT-F	1/2"	NPT-F	A=PTFE ; B= Graphite	316L

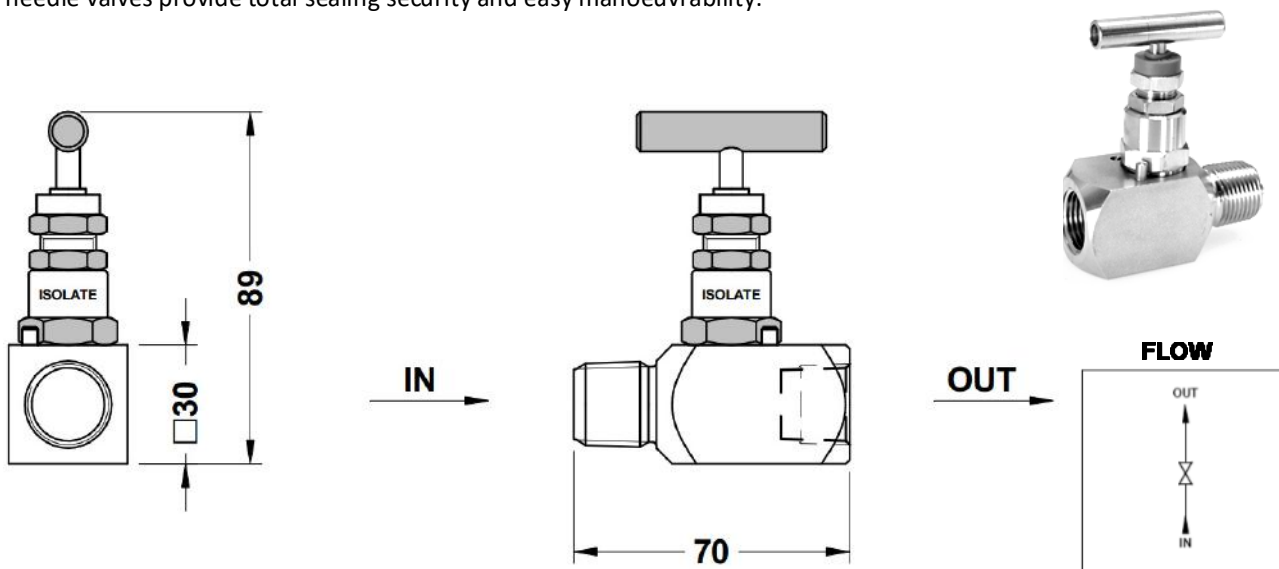
Included accessories:

- no. 1 drain plug

1150 Series

Needle Valves 6,000 psi & 10,000 psi

Bar stock needle valves are designed for operation up to 10,000 psi rating. With standard PTFE stem packing & self centering non-rotating stem, our needle valves provide total sealing security and easy manoeuvrability.



Features

- IN : THREADED MALE ; 1/4" ... 1/2"
- OUT : THREADED FEMALE 1/4" ... 1/2"
- MATERIAL: AISI 316L
- BAR STOCK BODY

Specifications

- Pressure up to 10,000 Psi (690 Bar)
- Temperature rating PTFE packing from -46°C to +210°C (-50°F / + 400°F)
- Temperature rating GRAPHITE packing from -46°C to + 530° C (-50°F / + 1000°F)
- Standard orifice diameter 4.0 mm
- Standard 316L stainless steel material

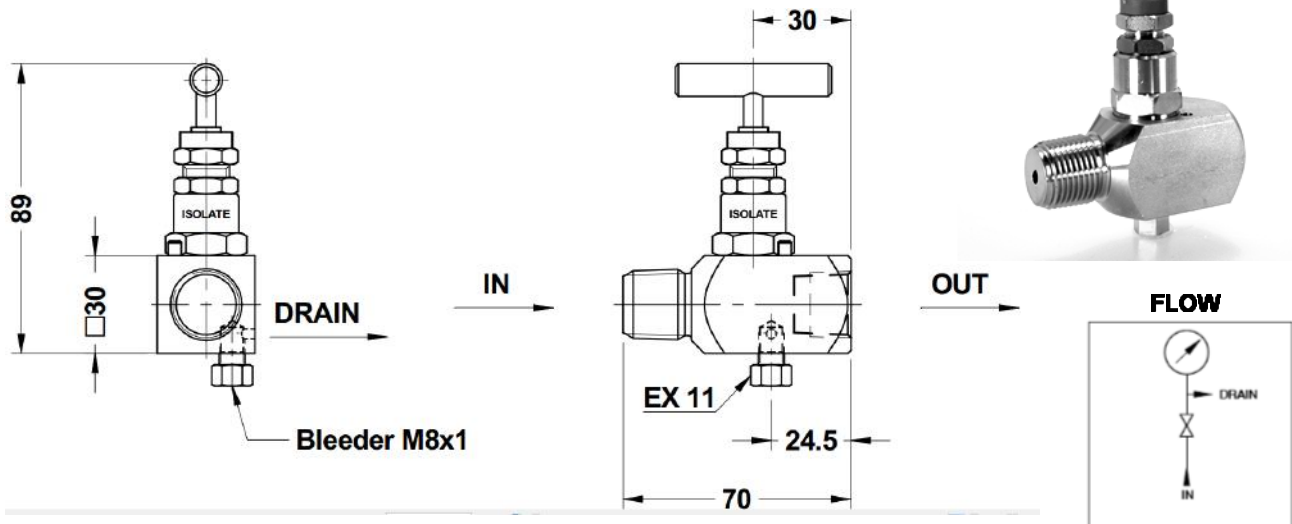
Item	Rating	In Size		Out size		Packing	Material
1150CBABABAA	C=6k; D10k	1/4"	NPT-M	1/4"	NPT-F	A=PTFE ; B= Graphite	316L
1150CDADABAA	C=6k; D10k	1/2"	NPT-M	1/2"	NPT-F	A=PTFE ; B= Graphite	316L

1200 Series

Needle Valves 6,000 psi & 10,000 psi

Bar stock needle valves are designed for operation up to 10,000 psi rating.

With standard PTFE stem packing & self centering non-rotating stem, our needle valves provide total sealing security and easy manoeuvrability.



Features

- IN : THREADED MALE ; 1/4"...1/2"
- OUT : THREADED FEMALE 1/4"... 1/2"
- MATERIAL: AISI 316L
- BAR STOCK BODY
- WITH BLEEDER M8X1

Specifications

- Pressure up to 10,000 Psi (690 Bar)
- Temperature rating PTFE packing from -46°C to +210°C (-50°F / + 400°F)
- Temperature rating GRAPHITE packing from -46°C to + 530° C (-50°F / + 1000°F)
- Standard orifice diameter 4.0 mm
- Standard 316L stainless steel material

Item	Rating	In Size		Out size		Packing	Material
1200CBABABAA	C=6k; D10k	1/4"	NPT-M	1/4"	NPT-F	A=PTFE ; B= Graphite	316L
1200CBBBBBAA	C=6k; D10k	1/4"	BSP-M	1/4"	BSP-F	A=PTFE ; B= Graphite	316L
1200CDADABAA	C=6k; D10k	1/2"	NPT-M	1/2"	NPT-F	A=PTFE ; B= Graphite	316L
1200CDBDBBAA	C=6k; D10k	1/2"	BSP-M	1/2"	BSP-F	A=PTFE ; B= Graphite	316L

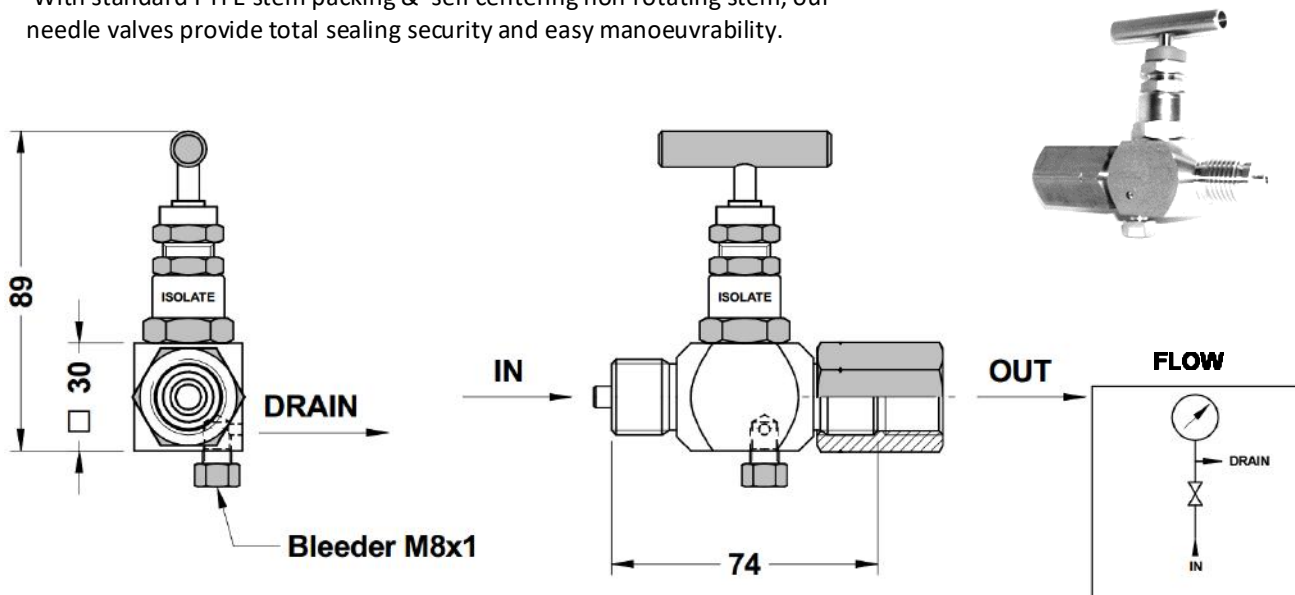
Included accessories:

- no. 1 bleeder plug

1201 Series

Needle Valves 6,000 psi & 10,000 psi

Bar stock needle valves are designed for operation up to 10,000 psi rating. With standard PTFE stem packing & self centering non-rotating stem, our needle valves provide total sealing security and easy manoeuvrability.



Features

- IN : THREADED MALE
- OUT : THREADED FEMALE - SWIVEL
- MATERIAL: AISI 316L
- BAR STOCK BODY
- WITH BLEEDER M8X1

Specifications

- Pressure up to 10,000 Psi (690 Bar)
- Temperature rating PTFE packing from -46°C to +210°C (-50°F / + 400°F)
- Temperature rating GRAPHITE packing from -46°C to +530° C (-50°F / + 1000°F)
- Standard orifice diameter 4.0 mm
- Standard 316L stainless steel material

Item	Rating	In Size	Out size	Packing	Material
1201CDBDBBAA	C=6k; D10k	G 1/2" A	G 1/2"	A=PTFE ; B= Graphite	316L

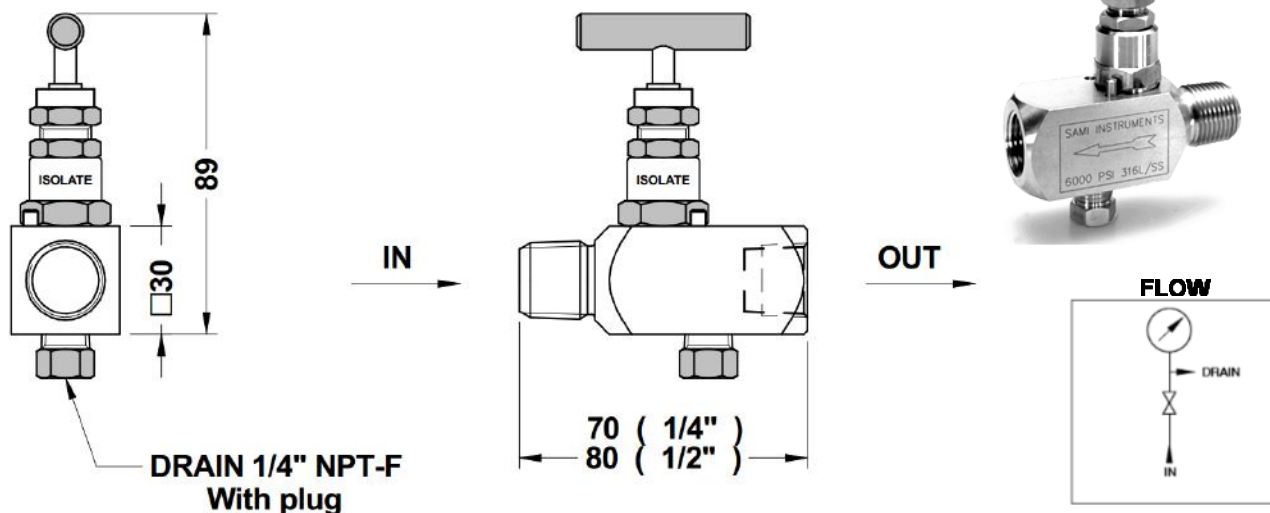
Included accessories:

- no. 1 bleeder plug

1250 Series

Needle Valves 6,000 psi & 10,000 psi

Bar stock needle valves are designed for operation up to 10,000 psi rating. With standard PTFE stem packing & self centering non-rotating stem, our needle valves provide total sealing security and easy manoeuvrability.



Features

- IN : MALE ; 1/4" ...1/2"
- OUT : FEMALE 1/4" ... 1/2"
- MATERIAL: AISI 316L
- BAR STOCK BODY
- DRAIN 1/4" NPT-F WITH PLUG

Specifications

- Pressure up to 10,000 Psi (690 Bar)
- Temperature rating PTFE packing from -46°C to +210°C (-50°F / + 400°F)
- Temperature rating GRAPHITE packing from -46°C to + 530° C (-50°F / + 1000°F)
- Standard orifice diameter 4.0 mm
- Standard 316L stainless steel material

Item	Rating	In Size		Out size		Packing	Material
1250CBABABAA	C=6k; D10k	1/4"	NPT-M	1/4"	NPT-F	A=PTFE ; B= Graphite	316L
1250CBBBBBAA	C=6K	1/4"	BSP-M	1/4"	BSP-F	A=PTFE ; B= Graphite	316L
1250CDADABAA	C=6k; D10k	1/2"	NPT-M	1/2"	NPT-F	A=PTFE ; B= Graphite	316L
1250CDBDBBAA	C=6k; D10k	1/2"	BSP-M	1/2"	BSP-F	A=PTFE ; B= Graphite	316L
1250CININBAA	C=6k; D10k	M20X1,5 M		M20 X 1,5 F		A=PTFE ; B= Graphite	316L

Included accessories:

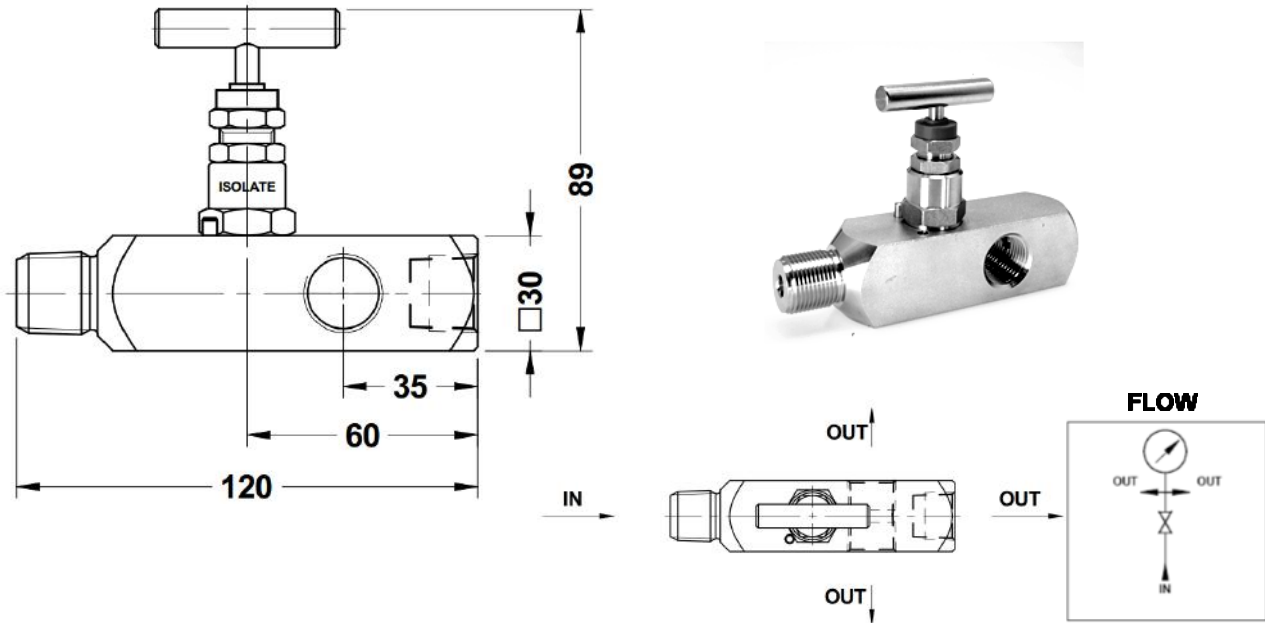
- no. 1 drain plug

1300 Series

Multiport Gauge Valves

This needle valve is equipped with three threaded female outlets that allow to fix the gauge in the most appropriate position or to install even a master gauge at the same time.

Our 1300 series needle valve is complete with standard PTFE gland packing and self centering non-rotating stem which ensures bubble tight seal shut off. Both 1/2" and 3/4" have 1/2" side ports.



Features

- IN : MALE; 1/2" ...3/4"
- OUT : 3 PORTS FEMALE 1/2"
- MATERIAL: AISI 316L
- BAR STOCK BODY
- 2ND PORT 1/2" NPT-F WITH PLUG
- 3RD PORT 1/2" NPT-F WITH BLEEDER

Specifications

- Pressure up to 10,000 Psi (690 Bar)
- Temperature rating PTFE packing from -46°C to +210°C (-50°F / + 400°F)
- Temperature rating GRAPHITE packing from -46°C to + 530° C (-50°F / + 1000°F)
- Standard orifice diameter 4.0 mm
- Standard 316L stainless steel material

Item	Rating	In Size		Out size		Packing	Material
1300CDADABAA	C=6k; D10k	1/2"	NPT-M	1/2"	NPT-F	A=PTFE ; B= Graphite	316L
1300CEADABAA	C=6k; D10k	3/4"	NPT-M	1/2"	NPT-F	A=PTFE ; B= Graphite	316L

Included accessories:

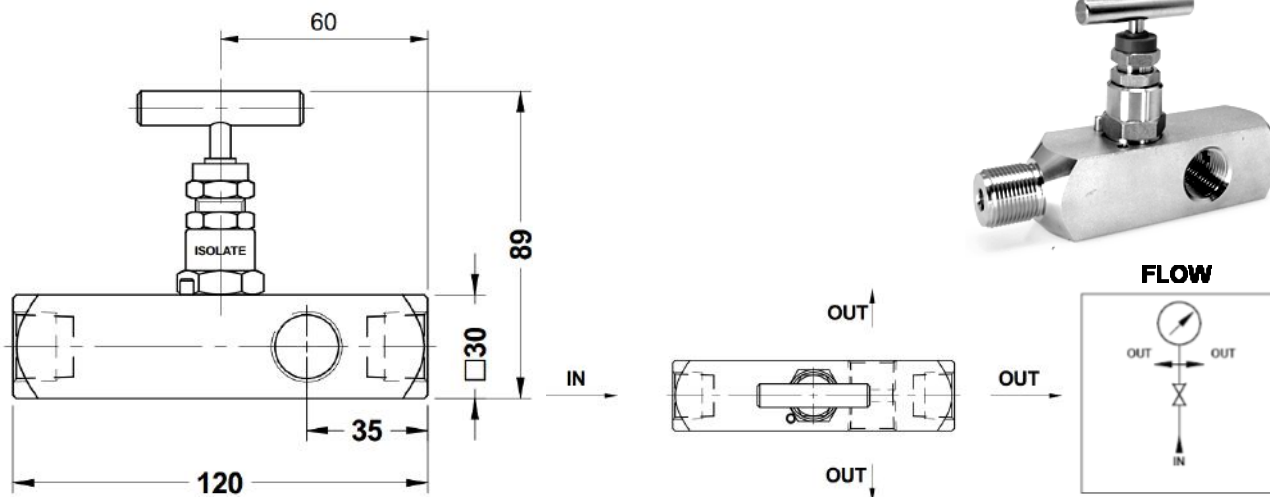
- no. 1 bleeder plug
- no. 1 drain plug

1304 Series

Multiport Gauge Valves

This needle valve is equipped with three threaded female outlets that allow to fix the gauge in the most appropriate position or to install even a master gauge at the same time.

Our 1300 series needle valve is complete with standard PTFE gland packing and self centering non-rotating stem which ensures bubble tight seat shut off. Both 1/2" and 3/4" have 1/2" side ports.



Features

- IN : FEMALE; 1/2"
- OUT : 3 PORTS FEMALE 1/2"
- MATERIAL: AISI 316L
- BAR STOCK BODY
- 2ND PORT 1/2" NPT-F WITH PLUG
- 3RD PORT 1/2" NPT-F WITH BLEEDER

Specifications

- Pressure up to 10,000 Psi (690 Bar)
- Temperature rating PTFE packing from -46°C to $+210^{\circ}\text{C}$ (-50°F / $+400^{\circ}\text{F}$)
- Temperature rating GRAPHITE packing from -46°C to $+530^{\circ}\text{C}$ (-50°F / $+1000^{\circ}\text{F}$)
- Standard orifice diameter 4.0 mm
- Standard 316L stainless steel material

Item	Rating	In Size		Out size		Packing	Material
1304CDADABAA	C=6k; D10k	1/2"	NPT-F	1/2"	NPT-F	A=PTFE ; B= Graphite	316L

Included accessories:

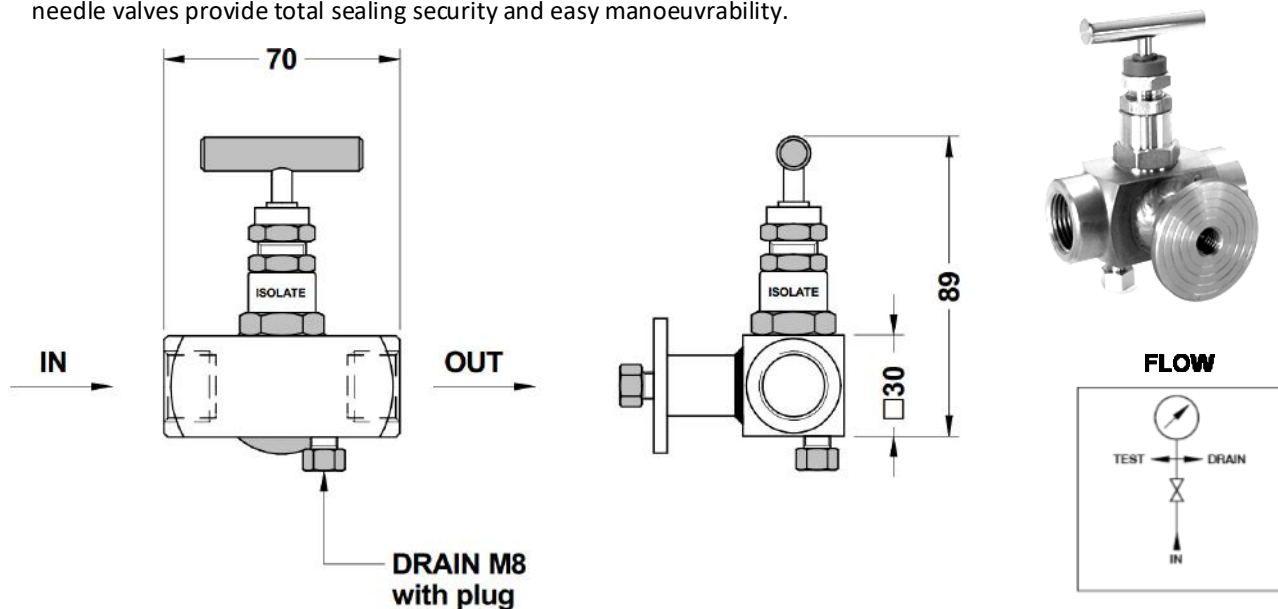
- no. 1 bleeder plug
- no. 1 drain plug

1400 Series

Needle Valves 6,000 psi & 10,000 psi

Bar stock needle valves are designed for operation up to 10,000 psi rating.

With standard PTFE stem packing & self centering non-rotating stem, our needle valves provide total sealing security and easy manoeuvrability.



Features

- IN : 1/2" NPT-F
- OUT : 1/2 NPT-F
- MATERIAL: AISI 316L
- BAR STOCK BODY
- DRAIN: M8 WITH PLUG

Specifications

- Pressure up to 10,000 Psi (690 Bar)
- Temperature rating PTFE packing from -46°C to +210°C (-50°F / + 400°F)
- Temperature rating GRAPHITE packing from -46° C to + 530° C (-50°F / + 1000°F)
- Standard orifice diameter 4.0 mm
- Standard 316L stainless steel material

Item	Rating	In Size		Out size		Packing	Material
1400CDADABAA	C=6k; D10k	1/2"	NPT-F	1/2"	NPT-F	A=PTFE ; B= Graphite	316L

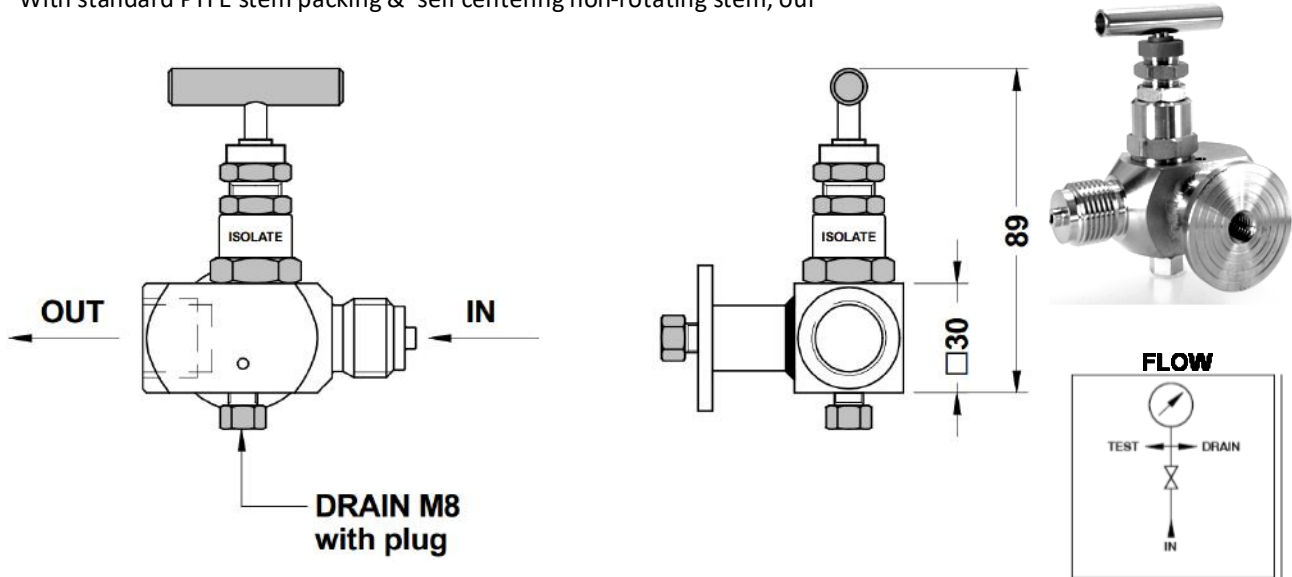
Included accessories:

- no. 1 drain plug

1450 Series

Needle Valves 6,000 psi & 10,000 psi

Bar stock needle valves are designed for operation up to 10,000 psi rating. With standard PTFE stem packing & self centering non-rotating stem, our



Features

- IN : MALE 1/2"
- OUT: FEMALE 1/2"
- MATERIAL: AISI 316L
- BAR STOCK BODY
- WITH BLEEDER M8
- WITH TEST FLANGE Ø40

Specifications

- Pressure up to 10,000 Psi (690 Bar)
- Temperature rating PTFE packing from -46°C to +210°C (-50°F / + 400°F)
- Temperature rating GRAPHITE packing from -46°C to + 530° C (-50°F / + 1000°F)
- Standard orifice diameter 4.0 mm
- Standard 316L stainless steel material

Item	Rating	In Size		Out size		Packing	Material
		1/2"	NPT-M	1/2"	NPT-F		
1450CDADABAA	C=6K	1/2"	NPT-M	1/2"	NPT-F	A=PTFE ; B= Graphite	316L
1450CDBDBBAA	C=6K	1/2"	BSP-M	1/2"	BSP-F	A=PTFE ; B= Graphite	316L

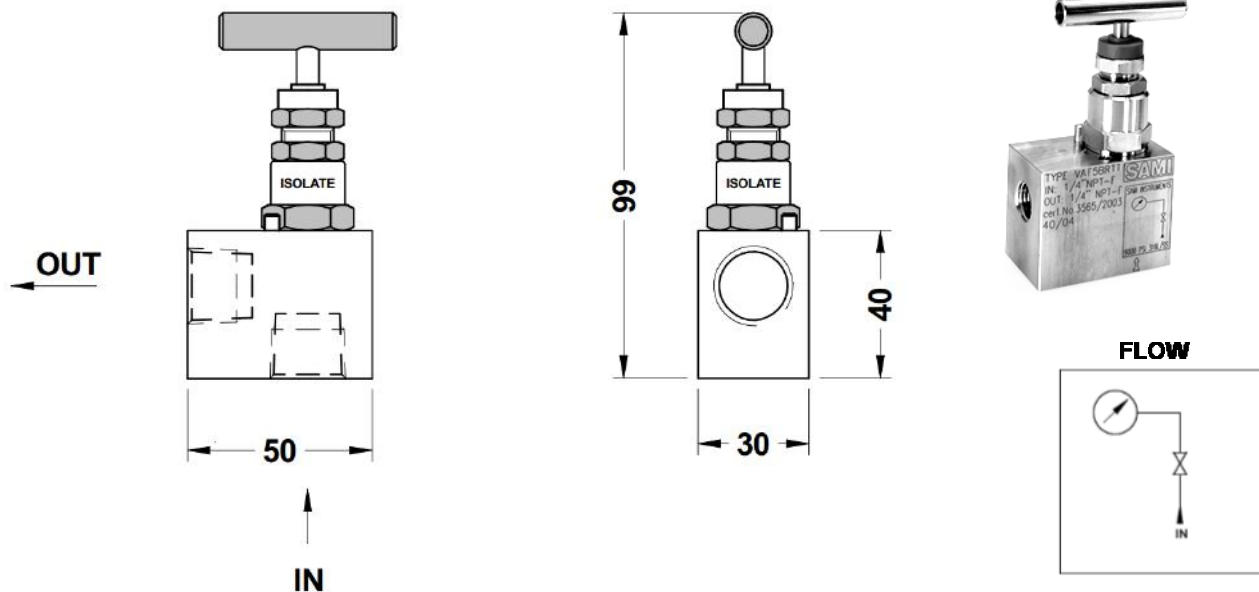
Included accessories:

- no. 1 drain plug

1550 Series

Needle Valves 6,000 psi & 10,000 psi / 90°

Bar stock needle valves are designed for operation up to 10,000 psi rating. With standard PTFE stem packing & self centering non-rotating stem, our



Features

- IN : FEMALE 1/2"
- OUT: FEMALE 1/2"
- MATERIAL: AISI 316L
- BAR STOCK BODY

Specifications

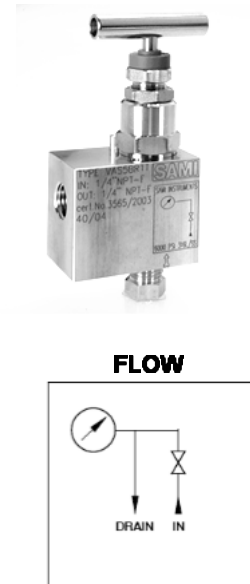
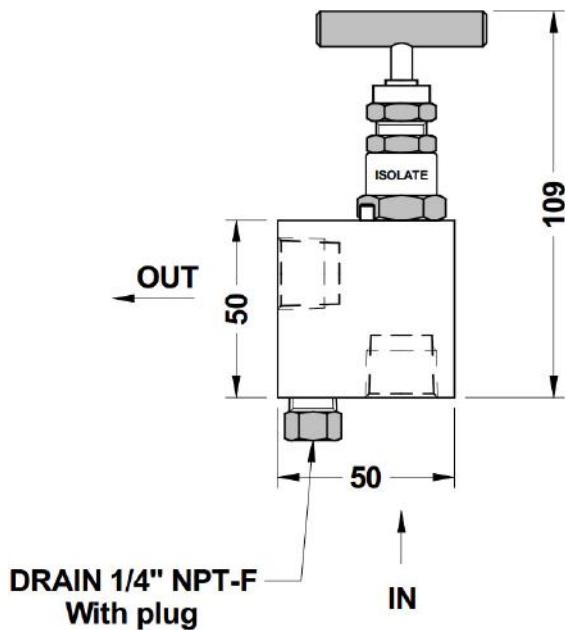
- Pressure up to 10,000 Psi (690 Bar)
- Temperature rating PTFE packing from -46°C to +210°C (-50°F / + 400°F)
- Temperature rating GRAPHITE packing from -46°C to + 530° C (-50°F / + 1000°F)
- Standard orifice diameter 4.0 mm
- Standard 316L stainless steel material

Item	Rating	In Size		Out size		Packing	Material
1550CDADABAA	C=6K	1/2"	NPT-F	1/2"	NPT-F	A=PTFE ; B= Graphite	316L

1600 Series

Needle Valves 6,000 psi & 10,000 psi / 90°

Bar stock needle valves are designed for operation up to 10,000 psi rating. With standard PTFE stem packing & self centering non-rotating stem, our needle valves provide total sealing security and easy manoeuvrability.



Features

- IN : FEMALE 1/2"
- OUT: FEMALE 1/2"
- MATERIAL: AISI 316L
- DRAIN: 1/4" NPT-F
- BAR STOCK BODY

Specifications

- Pressure up to 10,000 Psi (690 Bar)
- Temperature rating PTFE packing from -46°C to +210°C (-50°F / + 400°F)
- Temperature rating GRAPHITE packing from -46°C to + 530° C (-50°F / + 1000°F)
- Standard orifice diameter 4.0 mm
- Standard 316L stainless steel material

Item	Rating	In Size		Out size		Packing	Material
1600CDADABAA	C=6K	1/2"	NPT-F	1/2"	NPT-F	A=PTFE ; B= Graphite	316L

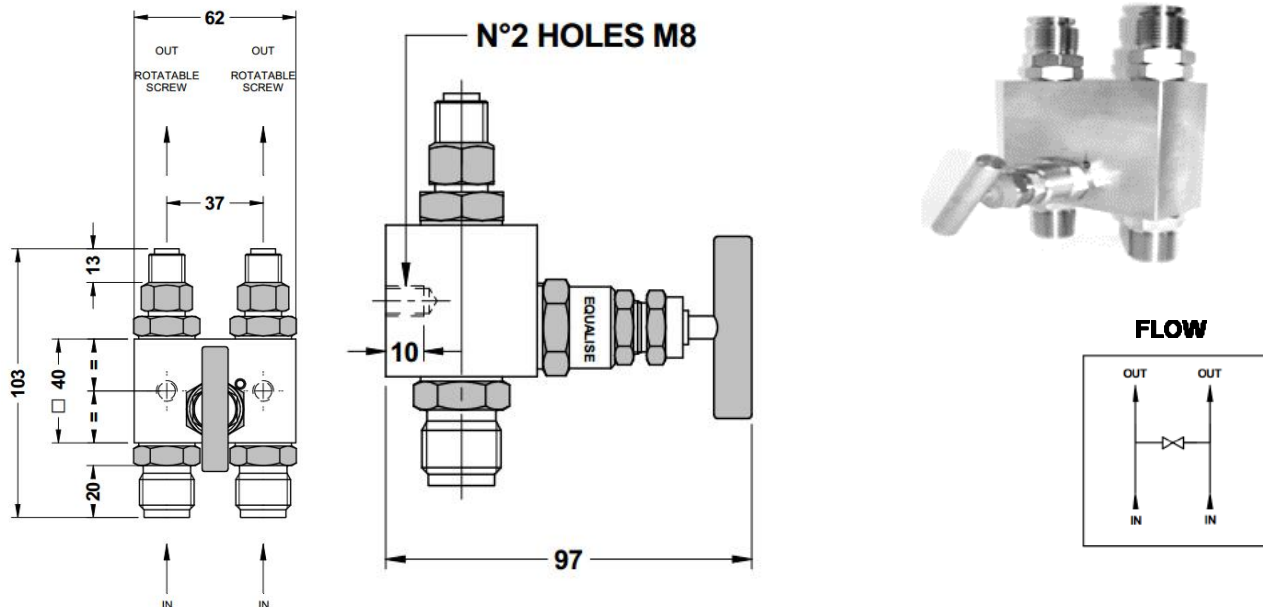
Included accessories:

- no. 1 drain plug

1701 Series

Needle Valves 6,000 psi & 10,000 psi / 90°

Bar stock needle valves are designed for operation up to 10,000 psi rating. With standard PTFE stem packing & self centering non-rotating stem, our needle valves provide total sealing security and easy manoeuvrability.



Features

- IN : MALE
- OUT: MALE - SWIVEL
- MATERIAL: AISI 316L
- BAR STOCK BODY
- CENTER TO CENTER DISTANCE : 37 MM

Specifications

- Pressure up to 10,000 Psi (690 Bar)
- Temperature rating PTFE packing from -46°C to $+210^{\circ}\text{C}$ (-50°F / $+400^{\circ}\text{F}$)
- Temperature rating GRAPHITE packing from -46°C to $+530^{\circ}\text{C}$ (-50°F / $+1000^{\circ}\text{F}$)
- Standard orifice diameter 4.0 mm
- Standard 316L stainless steel material

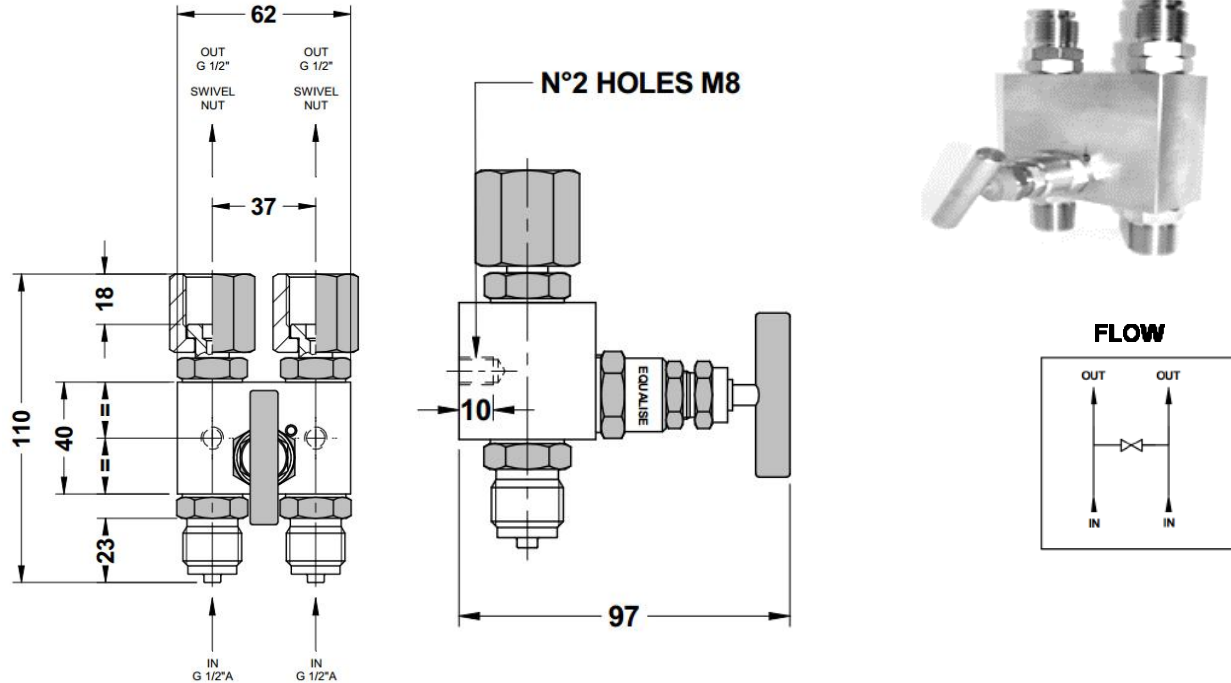
Item	Rating	In Size		Out size		Packing	Material
1701CDABBBAA	C=6K	1/2"	NPT-M	1/4"	BSP-M	A=PTFE	316L
1701CDBBBBAA	C=6K	1/2"	BSP-M	1/4"	BSP-M	A=PTFE	316L
1701CINBBBAA	C=6K	M20 X1,5 M		1/4"	BSP-M	A=PTFE	316L

1702 Series

Needle Valves 6,000 psi & 10,000 psi / 90°

Bar stock needle valves are designed for operation up to 10,000 psi rating.

With standard PTFE stem packing & self centering non-rotating stem, our needle valves provide total sealing security and easy manoeuvrability.



Features

- IN : MALE
- OUT: MALE - SWIVEL
- MATERIAL: AISI 316L
- BAR STOCK BODY
- CENTER TO CENTER DISTANCE : 37 MM

Specifications

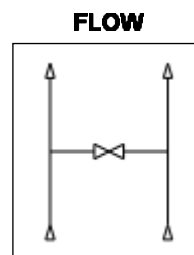
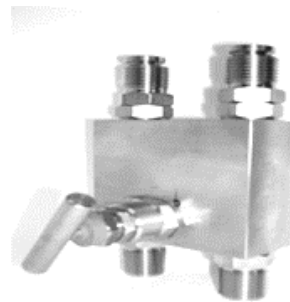
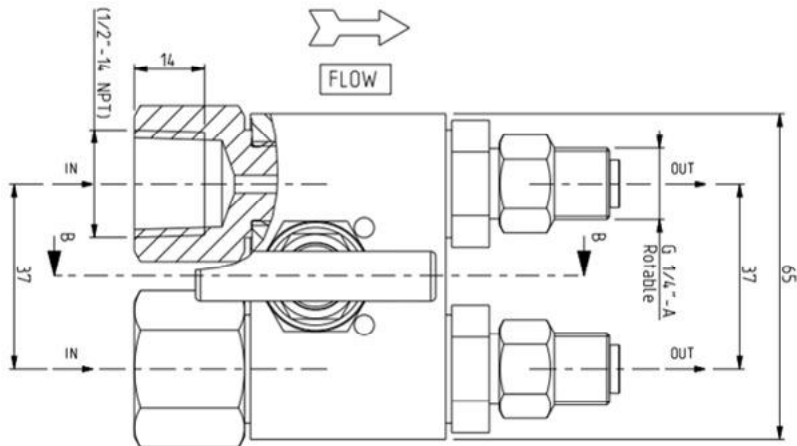
- Pressure up to 10,000 Psi (690 Bar)
- Temperature rating PTFE packing from -46°C to +210°C (-50°F / + 400°F)
- Temperature rating GRAPHITE packing from -46°C to + 530° C (-50°F / + 1000°F)
- Standard orifice diameter 4.0 mm
- Standard 316L stainless steel material

Item	Rating	In Size		Out size		Packing	Material
1702CDBDBBAA	C=6K	1/2"	BSP-M	1/2"	BSP-M	A=PTFE	316L

1703 Series

Needle Valves 6,000 psi & 10,000 psi / 90°

Bar stock needle valves are designed for operation up to 10,000 psi rating. With standard PTFE stem packing & self centering non-rotating stem, our needle valves provide total sealing security and easy manoeuvrability.



Features

- IN : FEMALE
- OUT: MALE - SWIVEL
- MATERIAL: AISI 316L
- BAR STOCK BODY
- CENTER TO CENTER DISTANCE : 37 MM

Specifications

- Pressure up to 10,000 Psi (690 Bar)
- Temperature rating PTFE packing from -46°C to +210°C (-50°F / + 400°F)
- Temperature rating GRAPHITE packing from -46°C to + 530° C (-50°F / + 1000°F)
- Standard orifice diameter 4.0 mm
- Standard 316L stainless steel material

Item	Rating	In Size		Out size		Packing	Material
1703CDABBBAA	C=6K	1/2"	NPT-F	1/4"	BSP-M	A=PTFE	316L

Ordering Information - Manifold Valves

Sami Instruments needle valves and manifolds are available in a variety of materials and end connections.

Pressure from 6000 Psi (413 Bar) up to 10,000 Psi (690 Bar)

Temperature rating PTFE packing from -46°C to + 210°C (-50°F / + 400°F)

Temperature rating GRAPHITE packing from -46°C to + 530° C (-50°F / + 1000°F)

VERSION	RATING	INLET		OUTLET		MATERIAL	PACKING	BONNET	OPTIONS
2000	C	B	A	B	A	B	A	A	D

VERSION		RATING		INLET			
2000+2450	Two-valve manifolds	B	3,000 PSI	B	1/4 "	A	NPT
3000+3550	Three-valve manifolds	C	6,000 PSI	C	3/8 "	B	BSPP
4000+4300	Four-valve manifolds	D	10,000 PSI	D	1/2 "	C	BSPT
5000+5600	Five-valve manifolds			E	3/4 "	D	S.W.
				F	Ø *	E	B.W.
				G	1 "	F	O.D.
				H	Flanged	H	Flanged IEC 61518/B
				I	M20	I	Flanged IEC 61518/A
						L	Coplanar
						N	X 1,5

OUTLET				MATERIAL		PACKING		BONNET	
B	1/4 "	A	NPT	B	Aisi 316 L	A	PTFE	A	Std Bonnet
C	3/8 "	B	BSPP	D	Duplex F51	B	Graphite	C	Mini Bonnet
D	1/2 "	C	BSPT	E	Super Duplex F55			E	Extended Bonnet
E	3/4 "	D	S.W.	F	Monel 400				
F	Ø *	E	B.W.	G	Hastelloy C276				
G	1 "	F	O.D.						
H	Flanged	H	Flanged IEC 61518/B						
I	M20	I	Flanged IEC 61518/A						
		L	Coplanar						
		N	X 1,5						

Other materials available on request

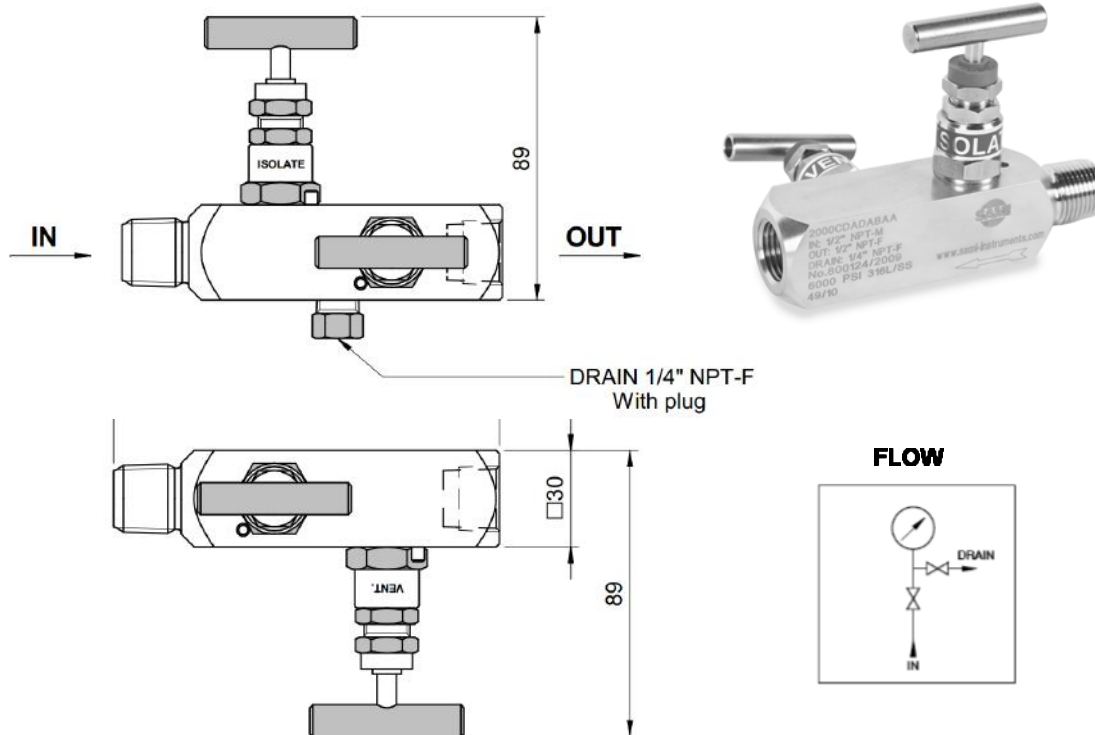
OPTIONS			
D	Drain/vent Anti-tamper	L	Oxygen Cleaning
E	Equalise+Drain Anti-tamper	P	Panel Mounting
F	Isolate+Drain Anti-tamper	Q	All bonnets locking device
G	Isolate+Equalise Anti-tamper	R	Isolate Anti-tamper
H	Locking device on all isolates	X	Handle bar in 316/316L
I	All bonnets anti-tamper	J	Locking device on Equalize

2000 Series

Two Valve Manifolds

6.000 psi & 10.000

This series of two-valve manifolds combines valves into one block to perform isolation, bleed and calibration of pressure transmitters, gauges and switches. Process, Instrument and Vent connections can be provided in a variety of sizes and threaded forms including NPT, BSPT and BSPP. Several models of brackets can be supplied to allow the installation both in site and on panels.



Features

- IN : MALE 1/4" ... 1/2"
- OUT: FEMALE 1/4" ... 1/2"
- DRAIN : 1/4" NPT-F WITH PLUG
- MATERIAL: AISI 316L
- BAR STOCK BODY

Specifications

- Pressure up to 10,000 Psi (690 Bar)
- Temperature rating PTFE packing from -46°C to +210°C (-50°F / + 400°F)
- Temperature rating GRAPHITE packing from -46°C to + 530° C (-50°F / + 1000°F)
- Standard orifice diameter 4.0 mm
- Standard 316L stainless steel material

Item	Rating psi	In Size		Out size		Packing	Material
2000CBABABAA	C=6k; D10k	1/4"	NPT-M	1/4"	NPT-F	A=PTFE ; B= Graphite	316L
2000CDADABAA	C=6k; D10k	1/2"	NPT-M	1/2"	NPT-F	A=PTFE ; B= Graphite	316L

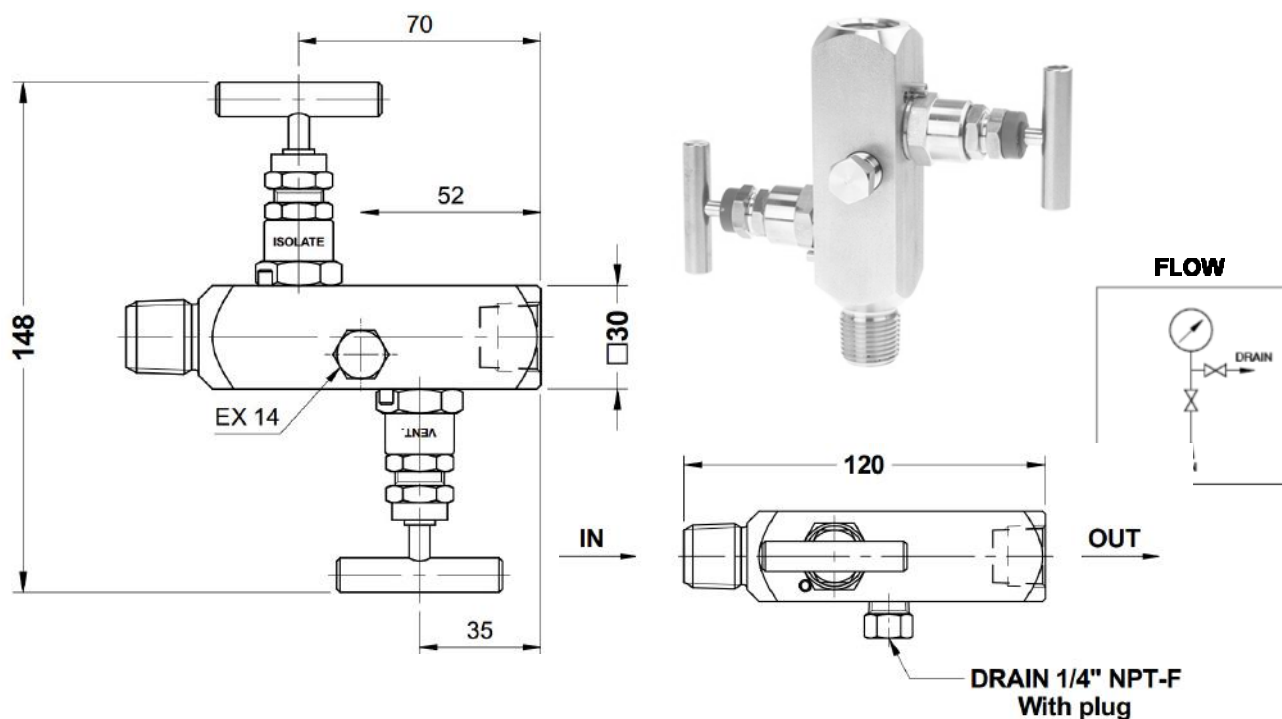
Included accessories:

- no. 1 drain plug

2002 Series

Two Valve Manifolds 6.000 psi & 10.000

This series of two-valve manifolds combines valves into one block to perform isolation, bleed and calibration of pressure transmitters, gauges and switches. Process, Instrument and Vent connections can be provided in a variety of sizes and threaded forms including NPT, BSPT and BSPP. Several models of brackets are supplied to allow the installation both in site and on panels.



Features

- IN : MALE 1/4" ... 3/4"
- OUT: FEMALE 1/4" ... 1/2"
- DRAIN : 1/4" NPT-F WITH PLUG
- MATERIAL: AISI 316L
- BAR STOCK BODY

Specifications

- Pressure up to 10,000 Psi (690 Bar)
- Temperature rating PTFE packing from -46°C to +210°C (-50°F / + 400°F)
- Temperature rating GRAPHITE packing from -46° C to + 530° C (-50°F / + 1000°F)
- Standard orifice diameter 4.0 mm
- Standard 316L stainless steel material

Item	Rating psi	In Size		Out size		Packing	Material
2002CBABABAA	C=6k; D10k	1/4"	NPT-M	1/4"	NPT-F	A=PTFE ; B= Graphite	316L
2002CDADABAA	C=6k; D10k	1/2"	NPT-M	1/2"	NPT-F	A=PTFE ; B= Graphite	316L
2002CDBDBBAA	C=6k; D10k	1/2"	BSP-M	1/2"	BSP-F	A=PTFE ; B= Graphite	316L
2002CININBAA	C=6k; D10k	M20 X 1,5	M	M20 X 1,5	F	A=PTFE ; B= Graphite	316L
2002CINDABAA	C=6k; D10k	M20 X 1,5	M	1/2"	NPT-F	A=PTFE ; B= Graphite	316L
2002CEADABAA	C=6k; D10k	3/4"	NPT-M	1/2"	NPT-F	A=PTFE ; B= Graphite	316L

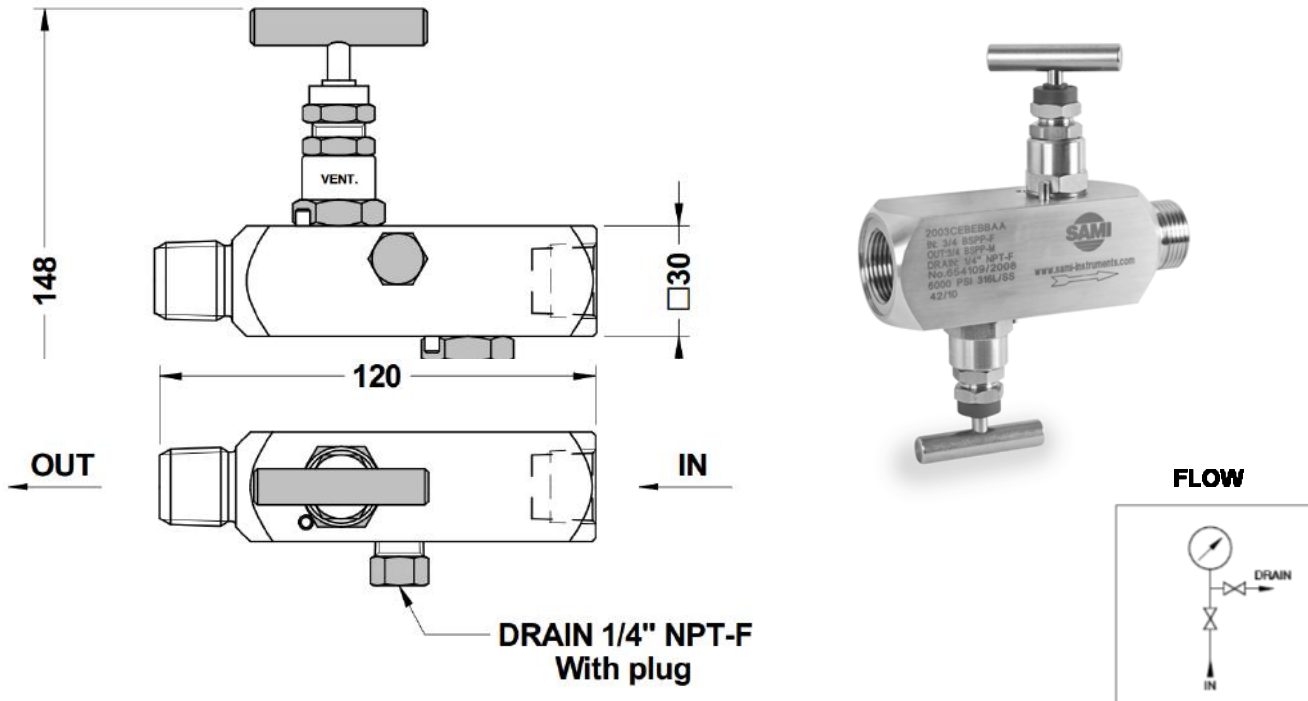
Included accessories:

- no. 1 drain plug

2003 Series

Two Valve Manifolds 6.000 psi & 10.000

This series of two-valve manifolds combines valves into one block to perform isolation, bleed and calibration of pressure transmitters, gauges and switches. Process, Instrument and Vent connections can be provided in a variety of sizes and threaded forms including NPT, BSPT and BSPP. Several models of brackets are supplied to allow the installation both in site and on panels.



Features

- IN : FEMALE 1/2"
- OUT: MALE 1/2"
- DRAIN : 1/4" NPT-F WITH PLUG
- MATERIAL: AISI 316L
- BAR STOCK BODY

Specifications

- Pressure up to 10,000 Psi (690 Bar)
- Temperature rating PTFE packing from -46°C to +210°C (-50°F / + 400°F)
- Temperature rating GRAPHITE packing from -46°C to + 530° C (-50°F / + 1000°F)
- Standard orifice diameter 4.0 mm
- Standard 316L stainless steel material

Item	Rating psi	In Size		Out size		Packing	Material
2003CDADABAA	C=6k; D10k	1/2"	NPT-F	1/2"	NPT-M	A=PTFE ; B= Graphite	316L

Included accessories:

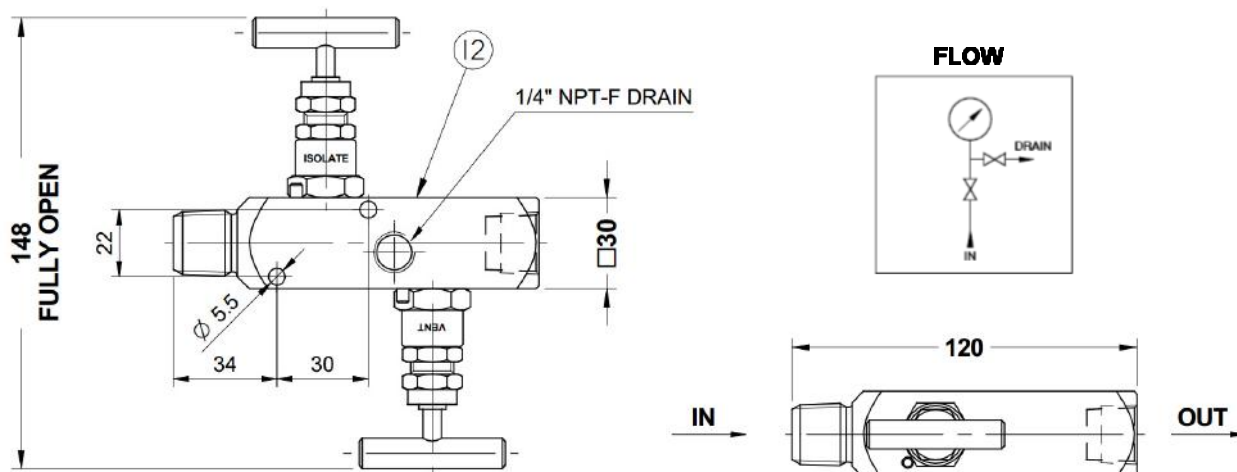
- no. 1 drain plug

2015 Series

Two Valve Manifolds

6.000 psi & 10.000

This series of two-valve manifolds combines valves into one block to perform isolation, bleed and calibration of pressure transmitters, gauges and switches. Process, Instrument and Vent connections can be provided in a variety of sizes and threaded forms including NPT, BSPT and BSPP. Several models of brackets are supplied to allow the installation both in site and on panels.



Features

- IN : MALE 1/2"
- OUT: FEMALE 1/2"
- DRAIN : 1/4" NPT-F WITH PLUG
- MATERIAL: AISI 316L
- BAR STOCK BODY
- SUITABLE FOR REMOTE MOUNTING W/ BRACKET

Specifications

- Pressure up to 10,000 Psi (690 Bar)
- Temperature rating PTFE packing from -46°C to +210°C (-50°F / + 400°F)
- Temperature rating GRAPHITE packing from -46°C to + 530° C (-50°F / + 1000°F)
- Standard orifice diameter 4.0 mm
- Standard 316L stainless steel material

Item	Rating psi	In Size		Out size		Packing	Material
2015CDADABAA	C=6k; D10k	1/2"	NPT-M	1/2"	NPT-F	A=PTFE ; B= Graphite	316L
A0540-06-01		2" PIPE AND WALL MOUNTING BRACKET					316L

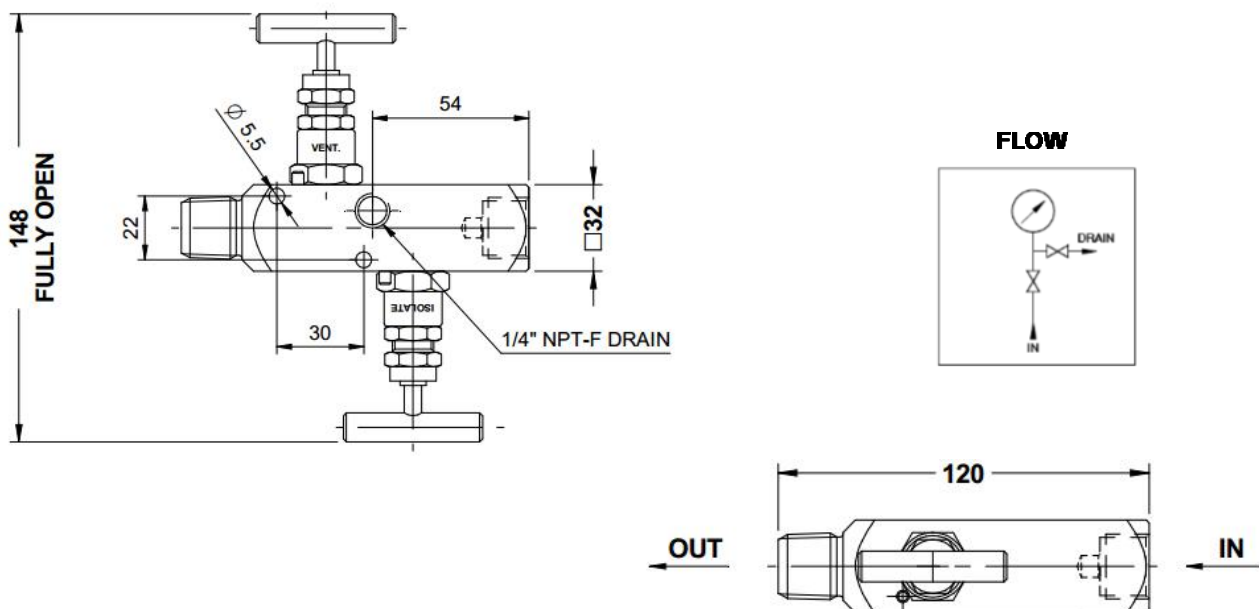
Included accessories:

- no. 1 drain plug

2017 Series

Two Valve Manifolds 6.000 psi & 10.000

This series of two-valve manifolds combines valves into one block to perform isolation, bleed and calibration of pressure transmitters, gauges and switches. Process, Instrument and Vent connections can be provided in a variety of sizes and threaded forms including NPT, BSPT and BSPP. Several models of brackets are supplied to allow the installation both in site and on panels.



Features

- IN : FEMALE 1/2"
- OUT: MALE 1/2"
- DRAIN : 1/4" NPT-F WITH PLUG
- MATERIAL: AISI 316L
- BAR STOCK BODY
- SUITABLE FOR REMOTE MOUNTING W/ BRACKET

Specifications

- Pressure up to 10,000 Psi (690 Bar)
- Temperature rating PTFE packing from -46°C to +210°C (-50°F / + 400°F)
- Temperature rating GRAPHITE packing from -46°C to + 530° C (-50°F / + 1000°F)
- Standard orifice diameter 4.0 mm
- Standard 316L stainless steel material

Item	Rating psi	In Size		Out size		Packing	Material
2017CDADABAA	C=6k; D10k	1/2"	NPT-F	1/2"	NPT-M	A=PTFE ; B= Graphite	316L
A0540-06-01		2" PIPE AND WALL MOUNTING BRACKET					316L

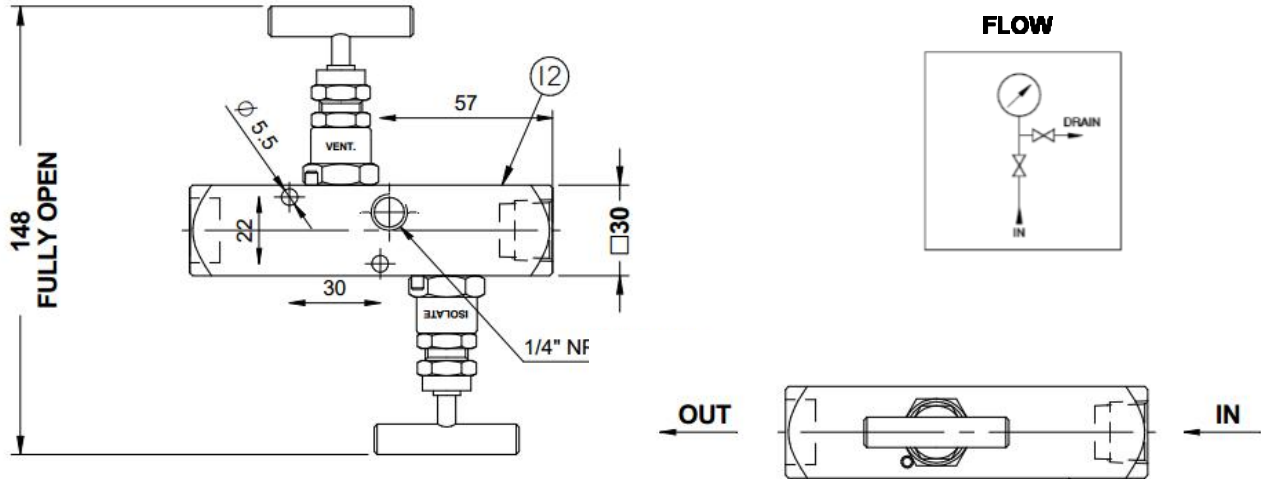
Included accessories:

- no. 1 drain plug

2018 Series

Two Valve Manifolds 6.000 psi & 10.000

This series of two-valve manifolds combines valves into one block to perform isolation, bleed and calibration of pressure transmitters, gauges and switches. Process, Instrument and Vent connections can be provided in a variety of sizes and threaded forms including NPT, BSPT and BSPP. Several models of brackets are supplied to allow the installation both in site and on panels.



Features

- IN : FEMALE 1/2"
- OUT: FEMALE 1/2"
- DRAIN : 1/4" NPT-F WITH PLUG
- MATERIAL: AISI 316L
- BAR STOCK BODY
- SUITABLE FOR REMOTE MOUNTING W/ BRACKET

Specifications

- Pressure up to 10,000 Psi (690 Bar)
- Temperature rating PTFE packing from -46°C to +210°C (-50°F / + 400°F)
- Temperature rating GRAPHITE packing from -46°C to + 530° C (-50°F / + 1000°F)
- Standard orifice diameter 4.0 mm
- Standard 316L stainless steel material

Item	Rating psi	In Size		Out size		Packing	Material	
2018CDADABAA	C=6k; D10k	1/2"	NPT-F	1/2"	NPT-F	A=PTFE ; B= Graphite	316L	
A0540-06-01		2" PIPE AND WALL MOUNTING BRACKET						316L

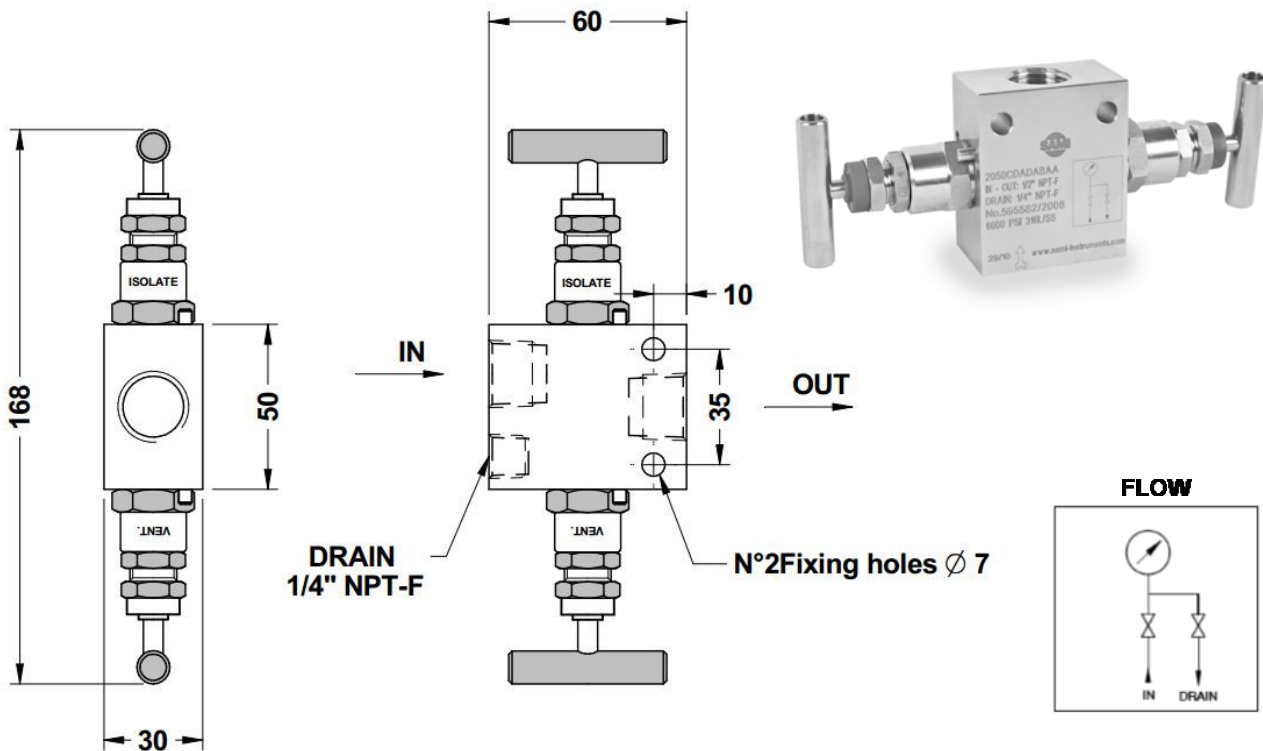
Included accessories:

- no. 1 drain plug

2050 Series

Two Valve Manifolds 6.000 psi & 10.000

This series of two-valve manifolds combines valves into one block to perform isolation, bleed and calibration of pressure transmitters, gauges and switches. Process, Instrument and Vent connections can be provided in a variety of sizes and threaded forms including NPT, BSPT and BSPP. Several models of brackets are supplied to allow the installation both in site and on panels.



Features

- IN : FEMALE 1/2"
- OUT: FEMALE 1/2"
- DRAIN : 1/4" NPT-F WITH PLUG
- MATERIAL: AISI 316L
- FLAT BAR STOCK BODY
- SUITABLE FOR REMOTE MOUNTING W/ BRACKET

Specifications

- Pressure up to 10,000 Psi (690 Bar)
- Temperature rating PTFE packing from -46°C to +210°C (-50°F / + 400°F)
- Temperature rating GRAPHITE packing from -46°C to + 530° C (-50°F / + 1000° F)
- Standard orifice diameter 4.0 mm
- Standard 316L stainless steel material

Item	Rating psi	In Size		Out size		Packing	Material	
		Size	Thread	Size	Thread			
2050CDBDBBAA	C=6k; D10k	1/2"	BSP-F	1/2"	BSP-F	A=PTFE ; B= Graphite	316L	
2050CDADABAA	C=6k; D10k	1/2"	NPT-F	1/2"	NPT-F	A=PTFE ; B= Graphite	316L	
A0540-11-01		2" PIPE AND WALL MOUNTING BRACKET						316L

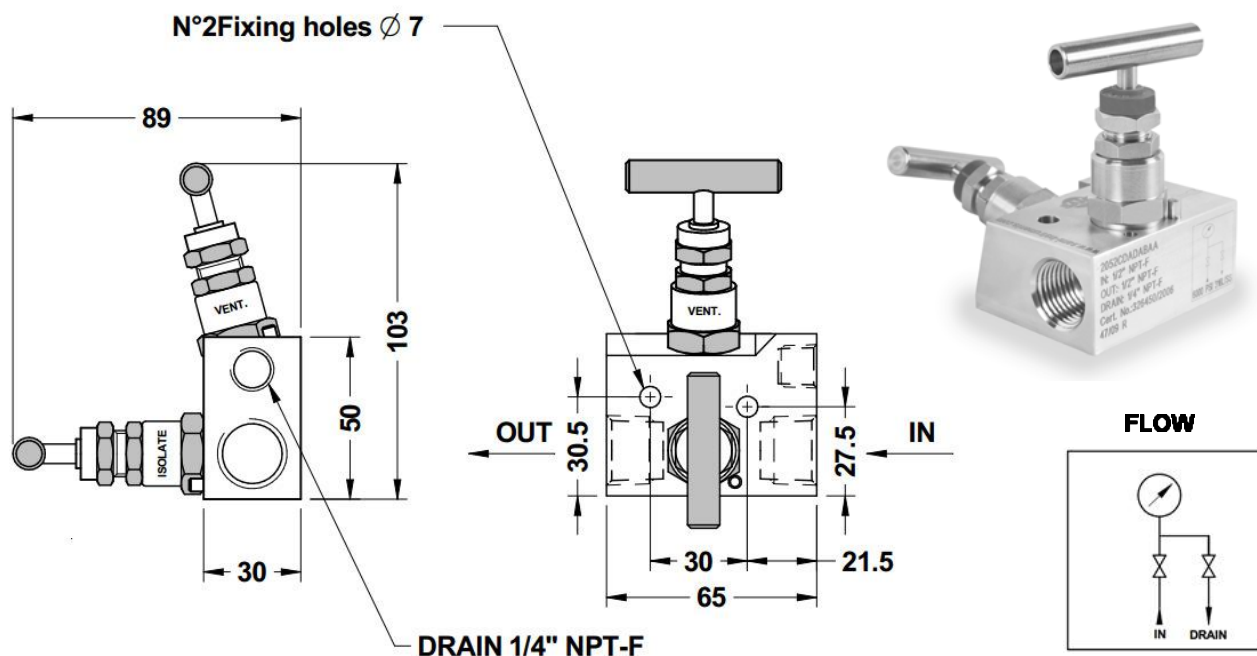
Included accessories:

- no. 1 drain plug

2052 Series

Two Valve Manifolds 6.000 psi & 10.000

This series of two-valve manifolds combines valves into one block to perform isolation, bleed and calibration of pressure transmitters, gauges and switches. Process, Instrument and Vent connections can be provided in a variety of sizes and threaded forms including NPT, BSPT and BSPP. Several models of brackets are supplied to allow the installation both in site and on panels.



Features

- IN : FEMALE 1/4"....1/2"
- OUT: FEMALE 1/2"
- DRAIN : 1/4" NPT-F WITH PLUG
- MATERIAL: AISI 316L
- FLAT BAR STOCK BODY
- SUITABLE FOR REMOTE MOUNTING W/ BRACKET

Specifications

- Pressure up to 10,000 Psi (690 Bar)
- Temperature rating PTFE packing from -46°C to +210°C (-50°F / + 400°F)
- Temperature rating GRAPHITE packing from -46° C to + 530° C (-50°F / + 1000°F)
- Standard orifice diameter 4.0 mm
- Standard 316L stainless steel

Item	Rating psi	In Size		Out size		Packing	Material	
2052CBABABAA	C=6k; D10k	1/4"	NPT-F	1/4"	NPT-F	A=PTFE ; B= Graphite	316L	
2052CDADABAA	C=6k; D10k	1/2"	NPT-F	1/2"	NPT-F	A=PTFE ; B= Graphite	316L	
2052CDBDBBAA	C=6k; D10k	1/2"	BSP-F	1/2"	BSP-F	A=PTFE ; B= Graphite	316L	
A0540-10-01		2" PIPE AND WALL MOUNTING BRACKET						316L

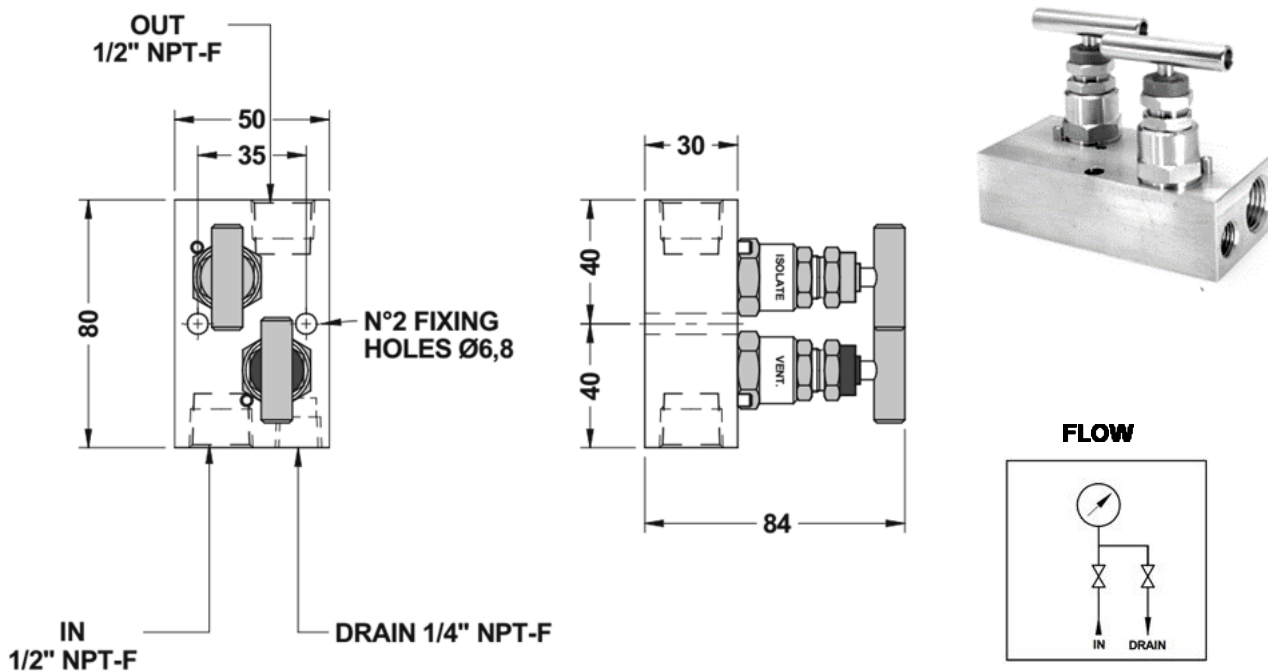
Included accessories:

- no. 1 drain plug

2054 Series

Two Valve Manifolds 6.000 psi & 10.000

This series of two-valve manifolds combines valves into one block to perform isolation, bleed and calibration of pressure transmitters, gauges and switches. Process, Instrument and Vent connections can be provided in a variety of sizes and threaded forms including NPT, BSPT and BSPP. Several models of brackets are supplied to allow the installation both in site and on panels.



Features

- IN : FEMALE 1/2"
- OUT: FEMALE 1/2"
- DRAIN : 1/4" NPT-F WITH PLUG
- MATERIAL: AISI 316L
- FLAT BAR STOCK BODY
- SUITABLE FOR REMOTE MOUNTING W/ BRACKET

Specifications

- Pressure up to 10,000 Psi (690 Bar)
- Temperature rating PTFE packing from -46°C to +210°C (-50°F / + 400°F)
- Temperature rating GRAPHITE packing from -46°C to + 530° C (-50°F / + 1000°F)
- Standard orifice diameter 4.0 mm
- Standard 316L stainless steel

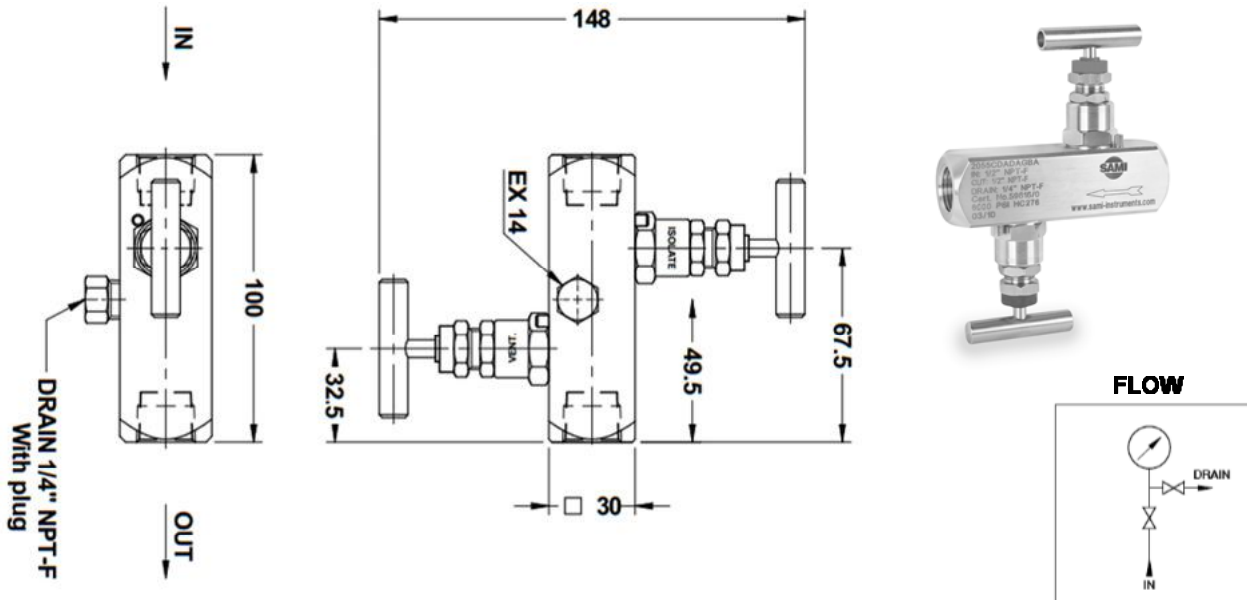
Item	Rating psi	In Size		Out size		Packing	Material
2054CDADABAA	C=6k; D10k	1/2"	NPT-F	1/2"	NPT-F	A=PTFE ; B= Graphite	316L
A0540-11-01		2" PIPE AND WALL MOUNTING BRACKET					316L

Included accessories:
- no. 1 drain plug

2055 Series

Two Valve Manifolds 6.000 psi & 10.000

This series of two-valve manifolds combines valves into one block to perform isolation, bleed and calibration of pressure transmitters, gauges and switches. Process, Instrument and Vent connections can be provided in a variety of sizes and threaded forms including NPT, BSPT and BSPP. Several models of brackets are supplied to allow the installation both in site and on panels.



Features

- IN : FEMALE 1/2"
- OUT: FEMALE 1/2"
- DRAIN : 1/4" NPT-F WITH PLUG
- MATERIAL: AISI 316L
- BAR STOCK BODY

Specifications

- Pressure up to 10,000 Psi (690 Bar)
- Temperature rating PTFE packing from -46°C to +210°C (-51°F / + 400°F)
- Temperature rating GRAPHITE packing from -46°C to + 530° C (-50°F / + 1000°F)
- Standard orifice diameter 4.0 mm
- Standard 316L stainless steel

Item	Rating psi	In Size		Out size		Packing	Material
2055CDADABAA	C=6k; D10k	1/2"	NPT-F	1/2"	NPT-F	A=PTFE ; B= Graphite	316L

Included accessories:

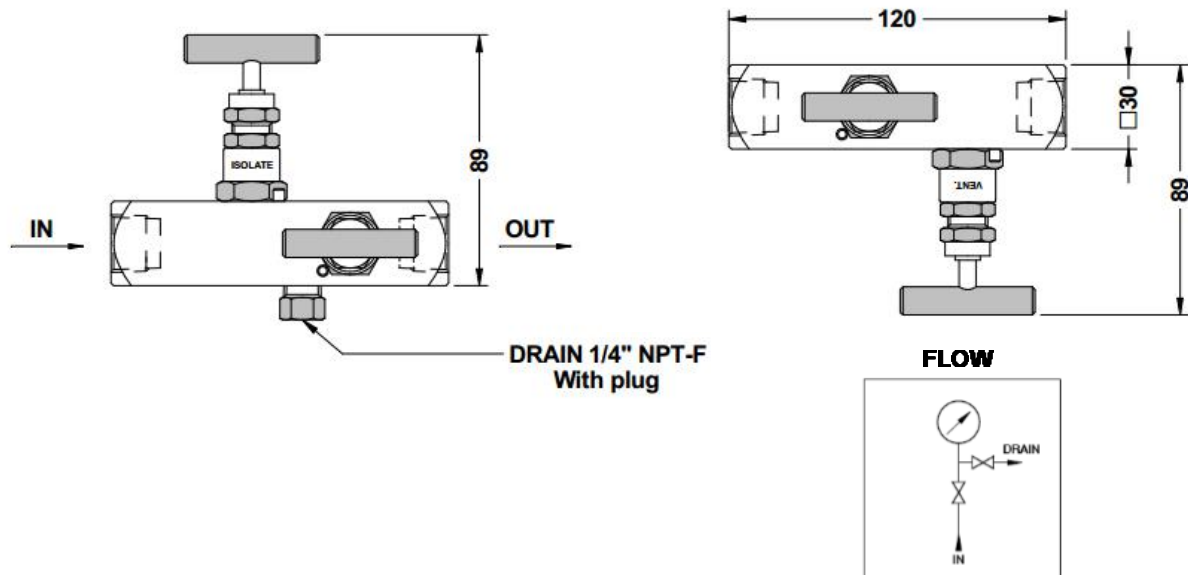
- no. 1 drain plug

2056 Series

Two Valve Manifolds

6.000 psi & 10.000

This series of two-valve manifolds combines valves into one block to perform isolation, bleed and calibration of pressure transmitters, gauges and switches. Process, Instrument and Vent connections can be provided in a variety of sizes and threaded forms including NPT, BSPT and BSPP. Several models of brackets are supplied to allow the installation both in site and on panels.



Features

- IN : FEMALE 1/2"
- OUT: FEMALE 1/2"
- DRAIN : 1/4" NPT-F WITH PLUG
- MATERIAL: AISI 316L
- BAR STOCK BODY

Specifications

- Pressure up to 10,000 Psi (690 Bar)
- Temperature rating PTFE packing from -46°C to $+210^{\circ}\text{C}$ (-51°F / $+400^{\circ}\text{F}$)
- Temperature rating GRAPHITE packing from -46°C to $+530^{\circ}\text{C}$ (-50°F / $+1000^{\circ}\text{F}$)
- Standard orifice diameter 4.0 mm
- Standard 316L stainless steel

Item	Rating psi	In Size		Out size		Packing	Material
2056CDADABAA	C=6k; D10k	1/2"	NPT-F	1/2"	NPT-F	A=PTFE ; B= Graphite	316L

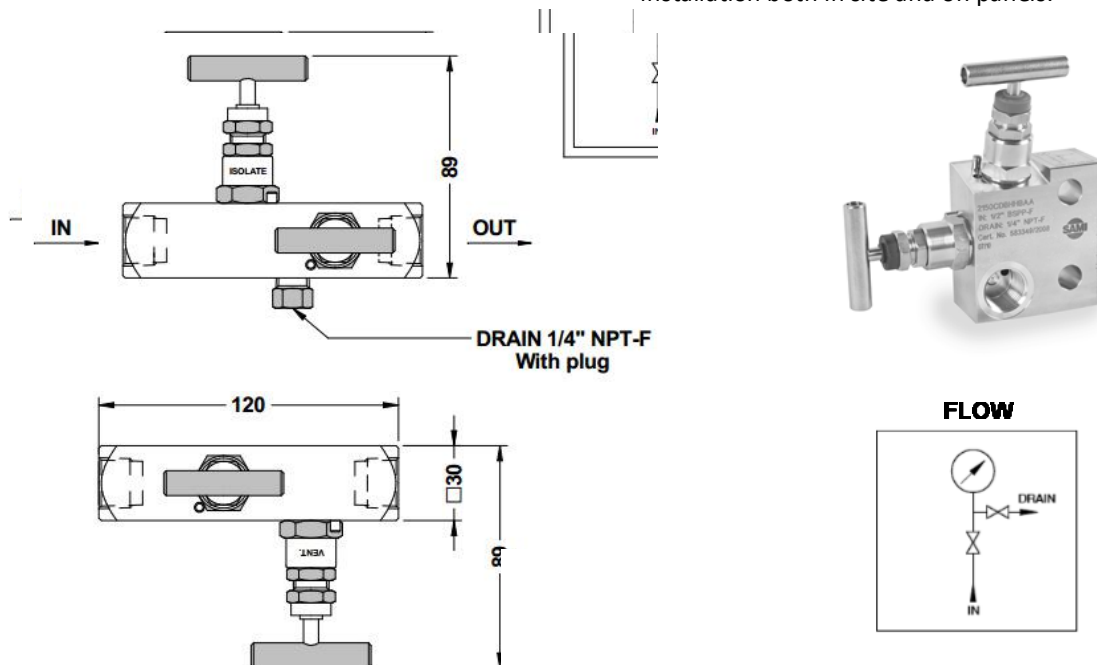
Included accessories:

- no. 1 drain plug

2150 Series

Two Valve Manifolds 6.000 psi

This series of two-valve manifolds combines valves into one block to perform isolation, bleed and calibration of pressure transmitters, gauges and switches. Process, Instrument and Vent connections can be provided in a variety of sizes and threaded forms including NPT, BSPT and BSPP. Several models of brackets are supplied to allow the installation both in site and on panels.



Features

- IN : FEMALE 1/2"
- OUT: FLANGED IEC 61518 -B
- DRAIN : 1/4" NPT-F WITH PLUG
- MATERIAL: AISI 316L
- FLAT BAR STOCK BODY
- SUITABLE FOR REMOTE MOUNTING W/ BRACKET

Specifications

- Pressure up to 6,000 Psi (414 Bar)
- Temperature rating PTFE packing from -46°C to +210°C (-50°F / + 400°F)
- Temperature rating GRAPHITE packing from -46°C to + 530° C (-50°F / + 1000°F)
- Standard orifice diameter 4.0 mm
- Standard 316L stainless steel

Item	Rating psi	In Size		Out size	Packing	Material
2150CDAHHBAA	C=6k	1/2"	NPT-F	IEC 61518 - B	A=PTFE ; B= Graphite	316L
A0540-08-01		2" PIPE AND WALL MOUNTING BRACKET				

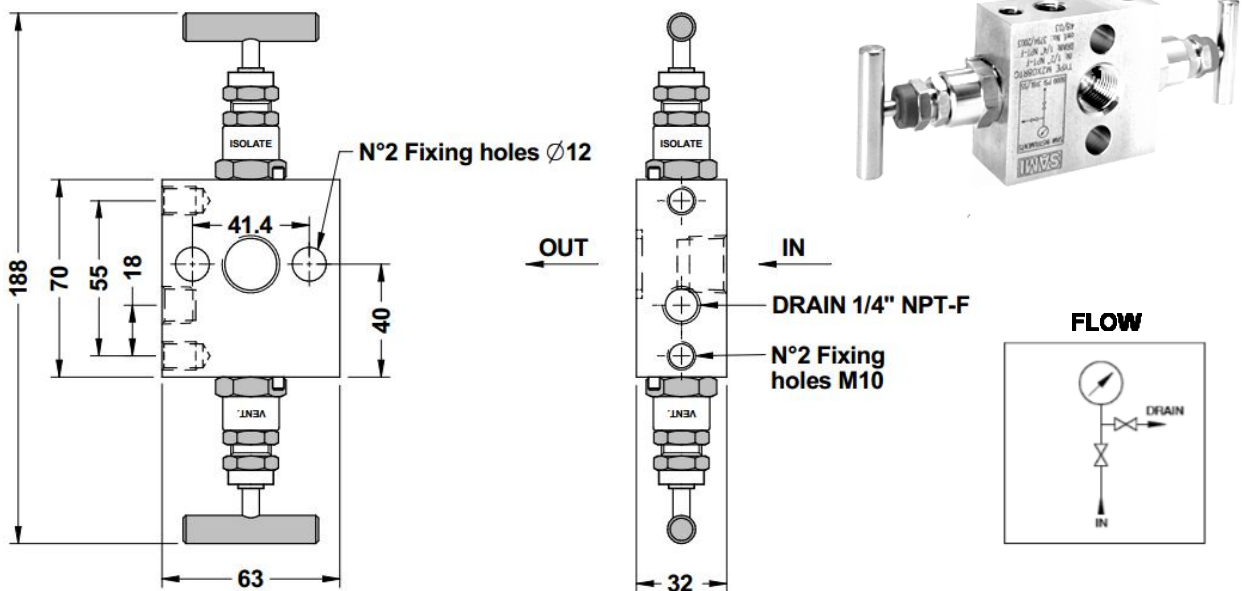
Included accessories:

- no. 2 galvanized carbon steel screws
- no. 1 drain plug
- no. 1 PTFE gasket

2151 Series

Two Valve Manifolds 6.000 psi

This series of two-valve manifolds combines valves into one block to perform isolation, bleed and calibration of pressure transmitters, gauges and switches. Process, Instrument and Vent connections can be provided in a variety of sizes and threaded forms including NPT, BSPT and BSPP. Several models of brackets are supplied to allow the installation both in site and on panels.



Features

- IN : FEMALE 1/2" NPT
- OUT: FLANGED IEC 61518 -B
- DRAIN : 1/4" NPT-F WITH PLUG
- MATERIAL: AISI 316L
- FLAT BAR STOCK BODY
- SUITABLE FOR REMOTE MOUNTING W/ BRACKET

Specifications

- Pressure up to 6,000 Psi (414 Bar)
- Temperature rating PTFE packing from -46°C to +210°C (-50°F / + 400°F)
- Temperature rating GRAPHITE packing from -46°C to + 530° C (-50°F / + 1000°F)
- Standard orifice diameter 4.0 mm
- Standard 316L stainless steel

Item	Rating psi	In Size		Out size	Packing	Material
2151CDAHHBAA	C=6k	1/2"	NPT-F	IEC 61518 - B	A=PTFE ; B= Graphite	316L
A0540-08-01		2" PIPE AND WALL MOUNTING BRACKET				

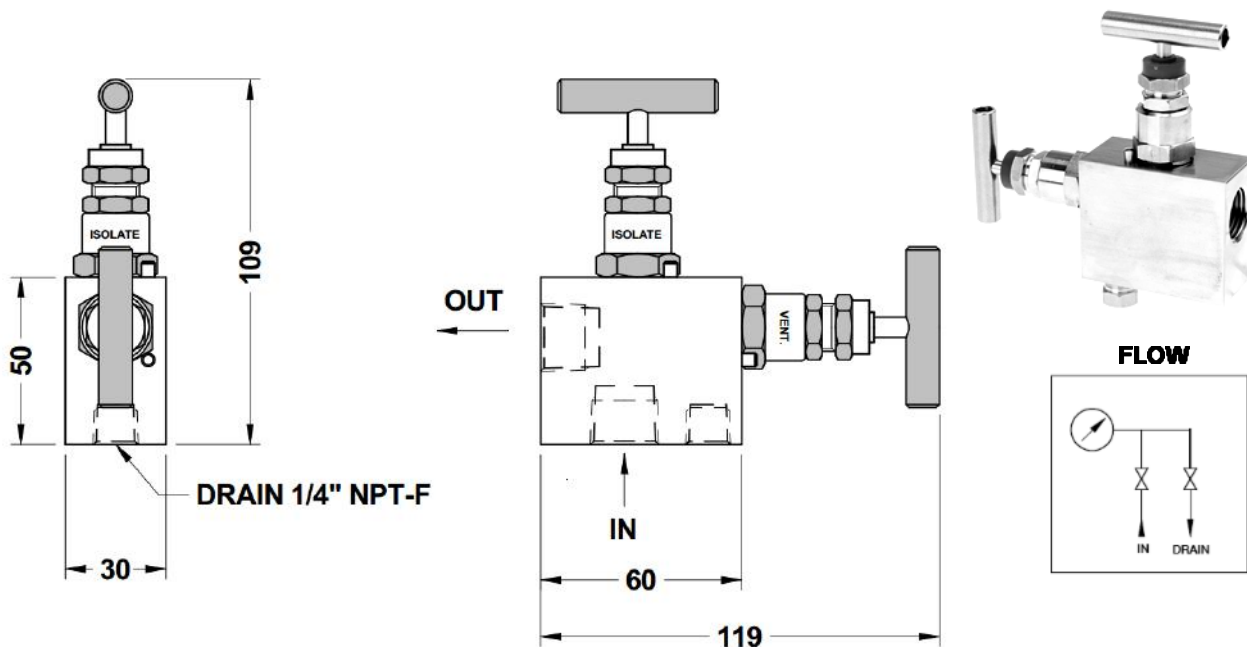
Included accessories:

- no. 2 galvanized carbon steel screws
- no. 1 drain plug
- no. 1 PTFE gasket

2250 Series

Two Valve Manifolds 6.000 psi & 10.000 psi / 90°

This series of two-valve manifolds combines valves into one block to perform isolation, bleed and calibration of pressure transmitters, gauges and switches. Process, Instrument and Vent connections can be provided in a variety of sizes and threaded forms including NPT, BSPT and BSPP. Several models of brackets are supplied to allow the installation both in site and on panels.



Features

- IN : FEMALE 1/2"
- OUT: FEMALE 1/2"
- DRAIN : 1/4" NPT-F WITH PLUG
- MATERIAL: AISI 316L
- FLAT BAR STOCK BODY

Specifications

- Pressure up to 10,000 Psi (690 Bar)
- Temperature rating PTFE packing from -46°C to +210°C (-50°F / + 400°F)
- Temperature rating GRAPHITE packing from -46° C to + 530° C (-50°F / + 1000°F)
- Standard orifice diameter 4.0 mm
- Standard 316L stainless steel

Item	Rating psi	In Size		Out size		Packing	Material
2250CDADABAA	C=6k; D10k	1/2"	NPT-F	1/2"	NPT-F	A=PTFE ; B= Graphite	316L

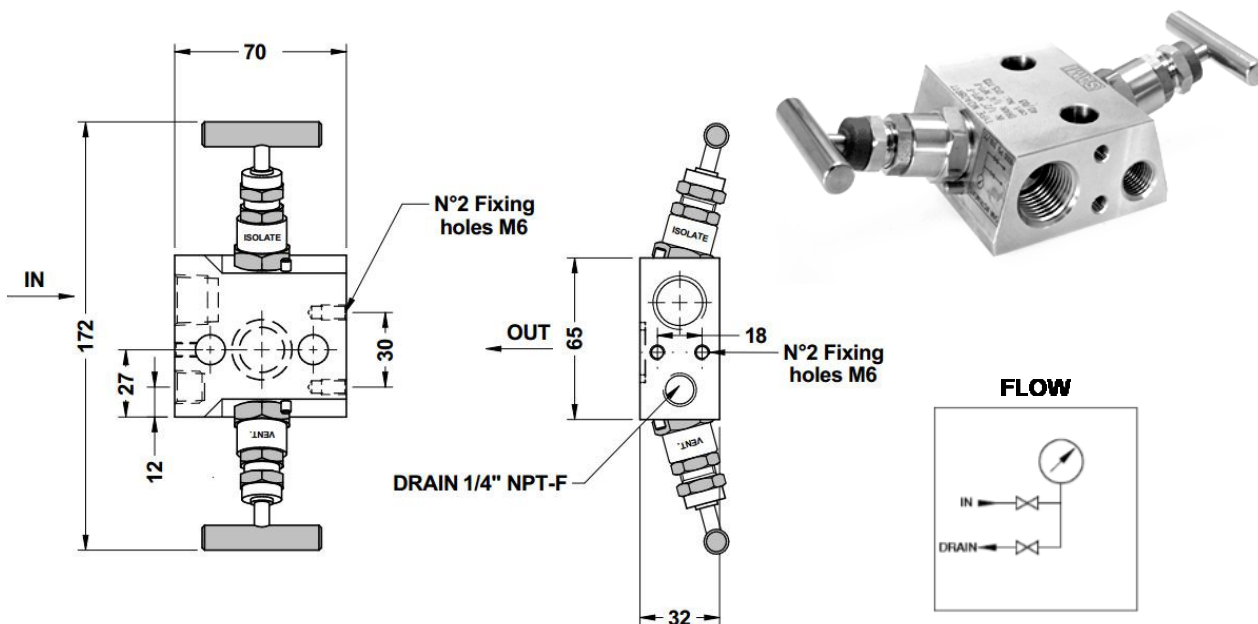
Included accessories:

- no. 1 drain plug

2350 Series

Two Valve Manifolds 6.000 psi / 90°

This series of two-valve manifolds combines valves into one block to perform isolation, bleed and calibration of pressure trasmitters, gauges and switches. Process, Instrument and Vent connections can be provided in a variety of sizes and threaded forms including NPT, BSPT and BSPP. Several models of brackets are supplied to allow the installation both in site and on panels.



Features

- IN : FEMALE 1/2"
- OUT: FLANGED IEC 61518 -B
- DRAIN : 1/4" NPT-F WITH PLUG
- MATERIAL: AISI 316L
- FLAT BAR STOCK BODY

Specifications

- Pressure up to 6,000 Psi (414 Bar)
- Temperature rating PTFE packing from -46°C to +210°C (-50°F / + 400°F)
- Temperature rating GRAPHITE packing from -46°C to + 530° C (-50°F / + 1000°F)
- Standard orifice diameter 4.0 mm
- Standard 316L stainless steel

Item	Rating psi	In Size		Out size	Packing	Material
2350CDAHHBAA	C=6k	1/2"	NPT-F	FLANGED	A=PTFE ; B= Graphite	316L

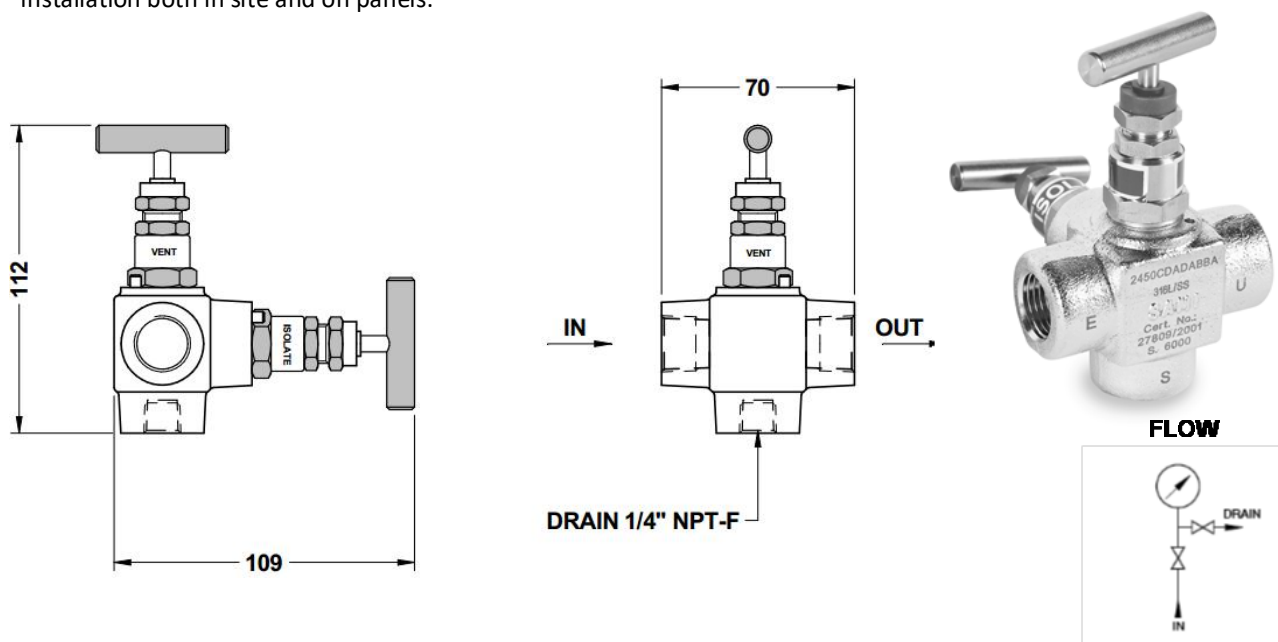
Included accessories:

- no. 2 galvanized carbon steel screws
- no. 1 drain plug
- no. 1 PTFE gasket

2450 Series

Two Valve Manifolds 6.000 psi & 10.000 psi / Forged

This series of two-valve manifolds combines valves into one block to perform isolation, bleed and calibration of pressure transmitters, gauges and switches. Process, Instrument and Vent connections can be provided in a variety of sizes and threaded forms including NPT, BSPT and BSPP. Several models of brackets are supplied to allow the installation both in site and on panels.



Features

- IN : FEMALE 1/4"
- OUT: FEMALE 1/4"
- DRAIN : 1/4" NPT-F WITH PLUG
- MATERIAL: AISI 316L
- FLAT BAR STOCK BODY

Specifications

- Pressure up to 10,000 Psi (690 Bar)
- Temperature rating PTFE packing from -46°C to +210°C (-50°F / + 400°F)
- Temperature rating GRAPHITE packing from -46°C to + 530° C (-50°F / + 1000°F)
- Standard orifice diameter 4.0 mm
- Standard 316L stainless steel

Item	Rating psi	In Size		Out size		Packing	Material
2450CDADABAA	C=6k; D10k	1/4"	NPT-F	1/4"	NPT-F	A=PTFE ; B= Graphite	316L

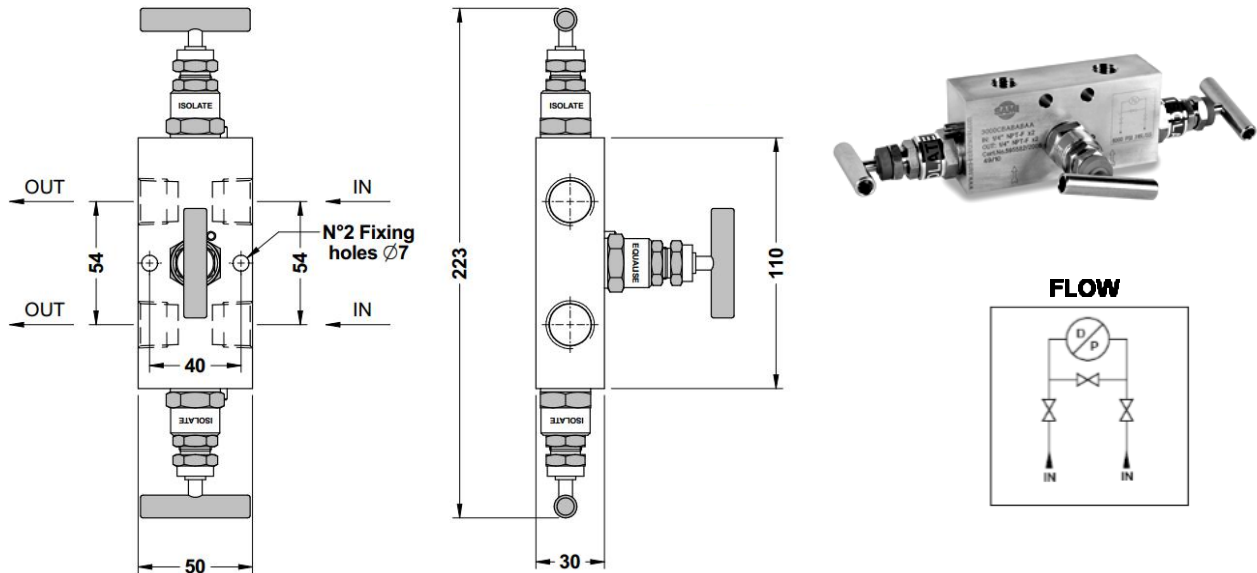
Included accessories:

- no. 1 drain plug

3000 Series

Three Valve Manifolds 6.000 psi & 10.000 psi

The Three Valve Manifolds concentrate the functions of interception and balancing in a single block, are used with differential pressure transmitters. They are designed to allow both direct and remote mounting.



Features

- IN : 1/4" NPT-F
- OUT : 1/4" NPT-F
- DRAIN : none
- MATERIAL: AISI 316L
- FLAT BAR STOCK
- CENTER TO CENTER DISTANCE : 54 mm

Specifications

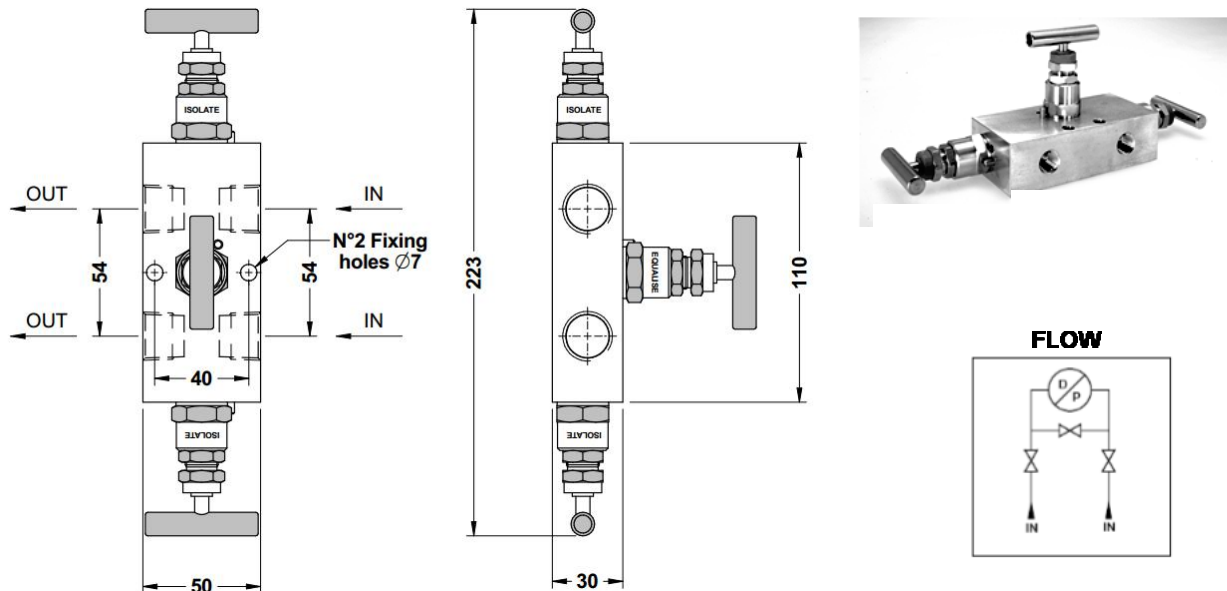
- Pressure up to 10,000 Psi (690 Bar)
- Temperature rating PTFE packing from -46°C to +210°C (-50°F / + 400°F)
- Temperature rating GRAPHITE packing from -46°C to + 530° C (-50°F / + 1000°F)
- Standard orifice diameter 4.0 mm
- Standard 316L stainless steel

Item	Rating psi	In Size		Out size		Packing	Material
3000CBABABAA	C=6k; D10k	1/4"	NPT-F	1/4"	NPT-F	A=PTFE ; B= Graphite	316L
A0540-06-01		2" PIPE AND WALL MOUNTING BRACKET					316L

3001 Series

Three Valve Manifolds 6.000 psi

The Three Valve Manifolds concentrate the functions of interception and balancing in a single block, are used with differential pressure transmitters. They are designed to allow both direct and remote mounting.



Features

- IN : 1/2" NPT-F
- OUT : 1/2" NPT-F
- DRAIN : none
- MATERIAL: AISI 316L
- FLAT BAR STOCK
- CENTER TO CENTER DISTANCE : 54 mm

Specifications

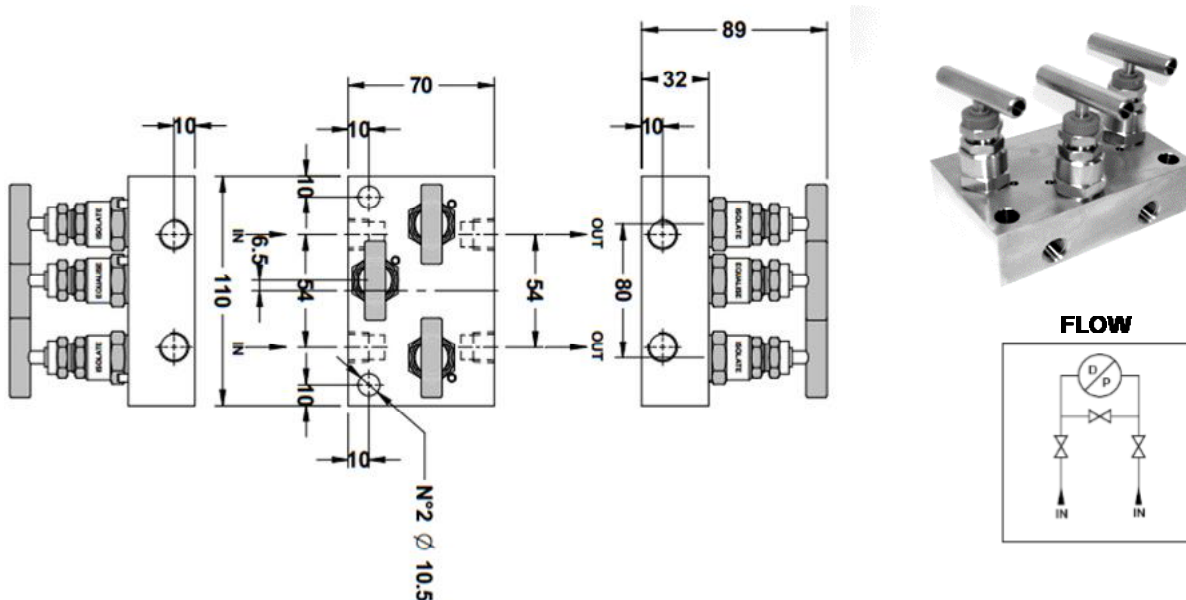
- Pressure up to 6,000 Psi (414 Bar)
- Temperature rating PTFE packing from -46°C to +210°C (-50°F / + 400°F)
- Temperature rating GRAPHITE packing from -46°C to + 530° C (-50°F / + 1000°F)
- Standard orifice diameter 4.0 mm
- Standard 316L stainless steel

Item	Rating psi	In Size		Out size		Packing	Material
3001CDADABAA	C=6k	1/2"	NPT-F	1/2"	NPT-F	A=PTFE ; B= Graphite	316L
A0540-12-01		2" PIPE AND WALL MOUNTING BRACKET					316L

3003 Series

Three Valve Manifolds 6.000 psi & 10.000 psi

The Three Valve Manifolds concentrate the functions of interception and balancing in a single block, are used with differential pressure transmitters. They are designed to allow both direct and remote mounting.



Features

- IN : 1/4" NPT-F
- OUT : 1/4" NPT-F
- DRAIN : none
- MATERIAL: AISI 316L
- FLAT BAR STOCK
- CENTER TO CENTER DISTANCE : IN/OUT= 54 mm

Specifications

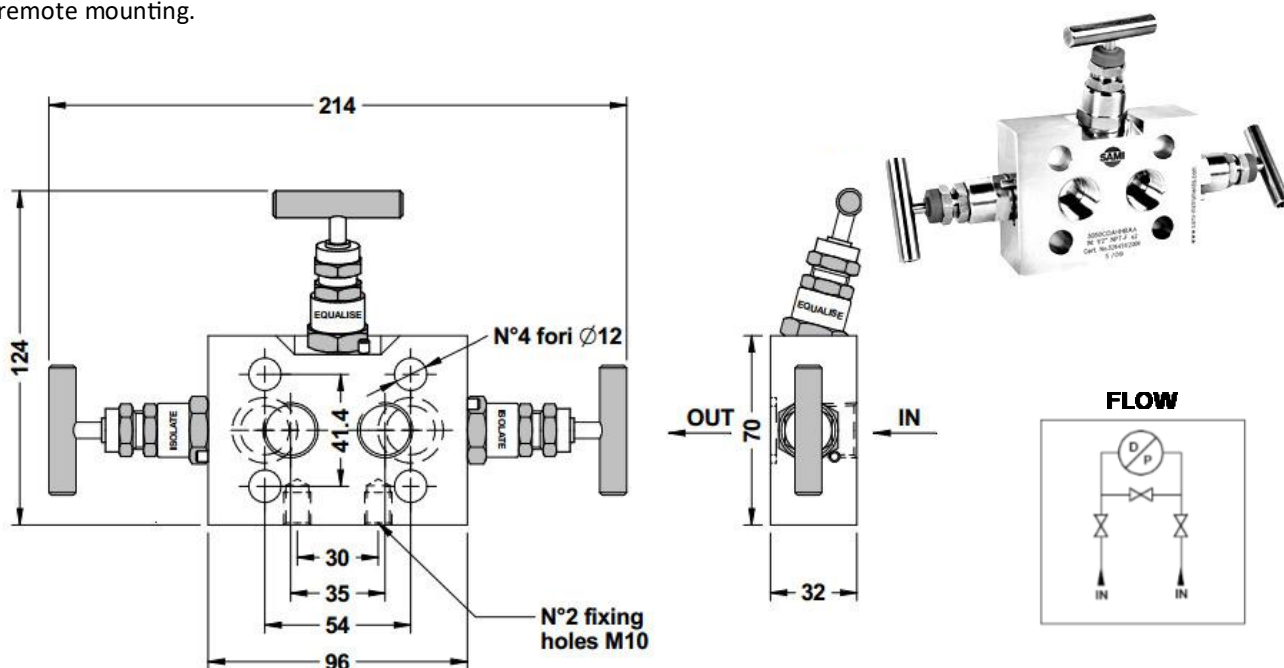
- Pressure up to 10,000 Psi (690 Bar)
- Temperature rating PTFE packing from -46°C to +210°C (-50°F / + 400°F)
- Temperature rating GRAPHITE packing from -46°C to + 530° C (-50°F / + 1000°F)
- Standard orifice diameter 4.0 mm
- Standard 316L stainless steel

Item	Rating psi	In Size		Out size		Packing	Material
3003CBABABAA	C=6k; D10k	1/4"	NPT-F	1/4"	NPT-F	A=PTFE ; B= Graphite	316L

3050 Series

Three Valve Manifolds 6.000 psi

The Three Valve Manifolds concentrate the functions of interception and balancing in a single block, are used with differential pressure transmitters. They are designed to allow both direct and remote mounting.



Features

- IN : 1/2" NPT-F
- OUT : FLANGED IEC 61518 - B
- DRAIN : none
- MATERIAL: AISI 316L
- FLAT BAR STOCK
- CENTER TO CENTER DISTANCE : IN=35 mm ; OUT= 54 mm

Specifications

- Pressure up to 6,000 Psi (414 Bar)
- Temperature rating PTFE packing from -46°C to +210°C (-50°F / + 400°F)
- Temperature rating GRAPHITE packing from -46°C to + 530° C (-50°F / + 1000°F)
- Standard orifice diameter 4.0 mm
- Standard 316L stainless steel

Item	Rating psi	In Size		Out size	Packing	Material
3050CDAHHBAA	C=6k	1/2"	NPT-F	Flanged	A=PTFE ; B= Graphite	316L
A0540-04-01		2" PIPE AND WALL VERTICAL MOUNTING BRACKET				316L
A0540-07-01		2" PIPE AND WALL HORIZONTAL MOUNTING BRACKET				316L

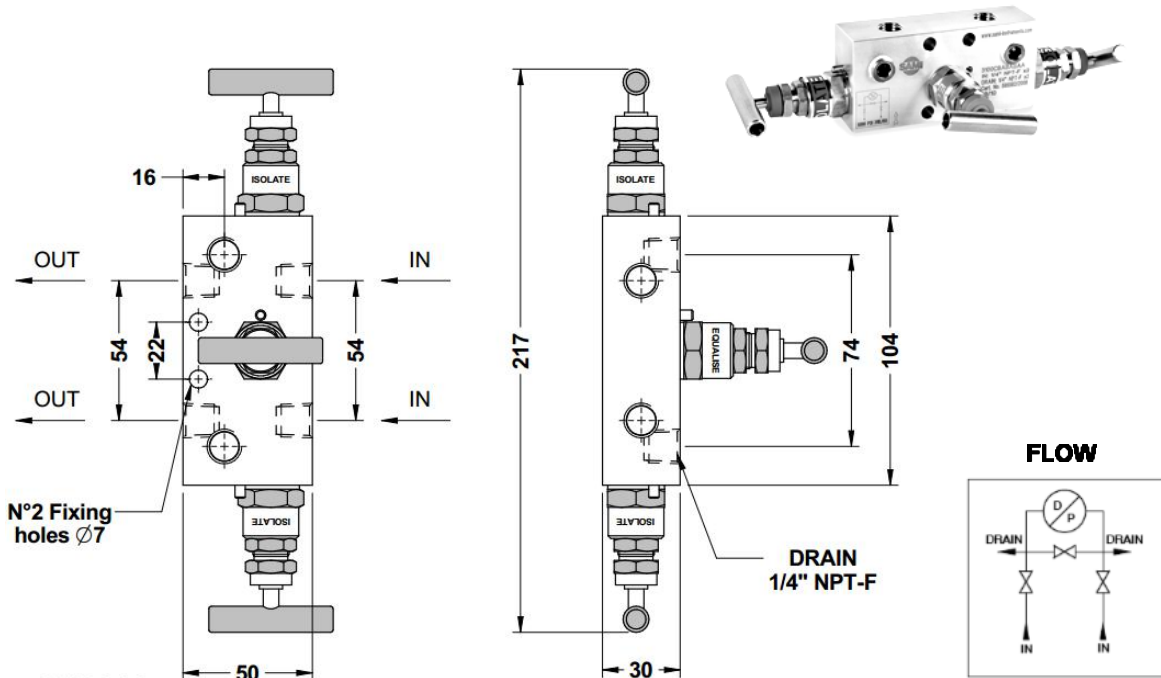
Included accessories:

- no. 4 galvanized carbon steel screws
- no. 2 PTFE gaskets

3100 Series

Three Valve Manifolds 6.000 psi & 10.000 psi

The Three Valve Manifolds concentrate the functions of interception and balancing in a single block, are used with differential pressure transmitters. They are designed to allow both direct and remote mounting.



Features

- IN : 1/4" NPT-F
- OUT : 1/4" NPT F
- DRAIN : 1/4" NPT-F WITH PLUG
- MATERIAL: AISI 316L
- FLAT BAR STOCK
- CENTER TO CENTER DISTANCE : IN=35 mm ; OUT= 54 mm

Specifications

- Pressure up to 10,000 Psi (690 Bar)
- Temperature rating PTFE packing from -46°C to +210°C (-50°F / + 400°F)
- Temperature rating GRAPHITE packing from -46° C to + 530° C (-50°F / + 1000°F)
- Standard orifice diameter 4.0 mm
- Standard 316L stainless steel

Item	Rating psi	In Size		Out size		Packing	Material	
3100CBABABAA	C=6k; D10k	1/4"	NPT-F	1/4"	NPT-F	A=PTFE ; B= Graphite	316L	
A0540-06-01		2" PIPE AND WALL MOUNTING BRACKET						316L

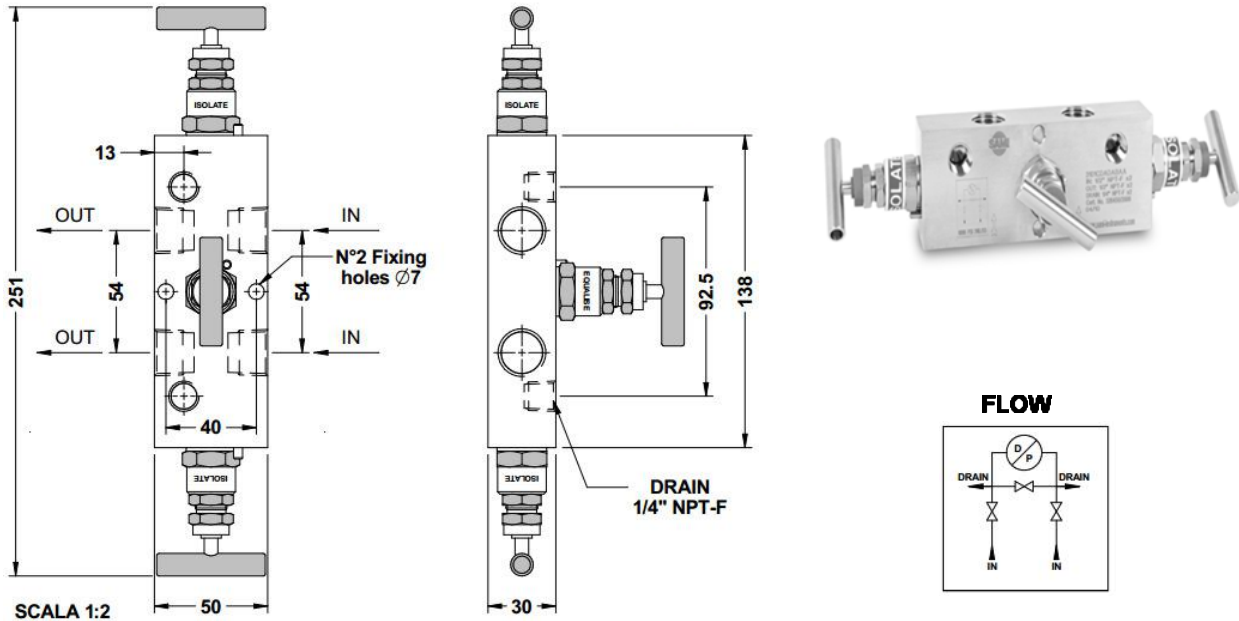
Included accessories:

- no. 1 drain plug

3101 Series

Three Valve Manifolds 6.000 psi & 10.000 psi

The Three Valve Manifolds concentrate the functions of interception and balancing in a single block, are used with differential pressure transmitters. They are designed to allow both direct and remote mounting.



Features

- IN : 1/2" NPT-F
- OUT : 1/2" NPT F
- DRAIN : 1/4" NPT-F WITH PLUG
- MATERIAL: AISI 316L
- FLAT BAR STOCK
- CENTER TO CENTER DISTANCE : IN/OUT= 54 mm

Specifications

- Pressure up to 10,000 Psi (690 Bar)
- Temperature rating PTFE packing from -46°C to +210°C (-50°F / + 400°F)
- Temperature rating GRAPHITE packing from -46° C to + 530° C (-50°F / + 1000°F)
- Standard orifice diameter 4.0 mm
- Standard 316L stainless steel

Item	Rating psi	In Size		Out size		Packing	Material
3101CDADABAA	C=6k; D10k	1/2"	NPT-F	1/2"	NPT-F	A=PTFE ; B= Graphite	316L
A0540-12-01		2" PIPE AND WALL MOUNTING BRACKET					316L

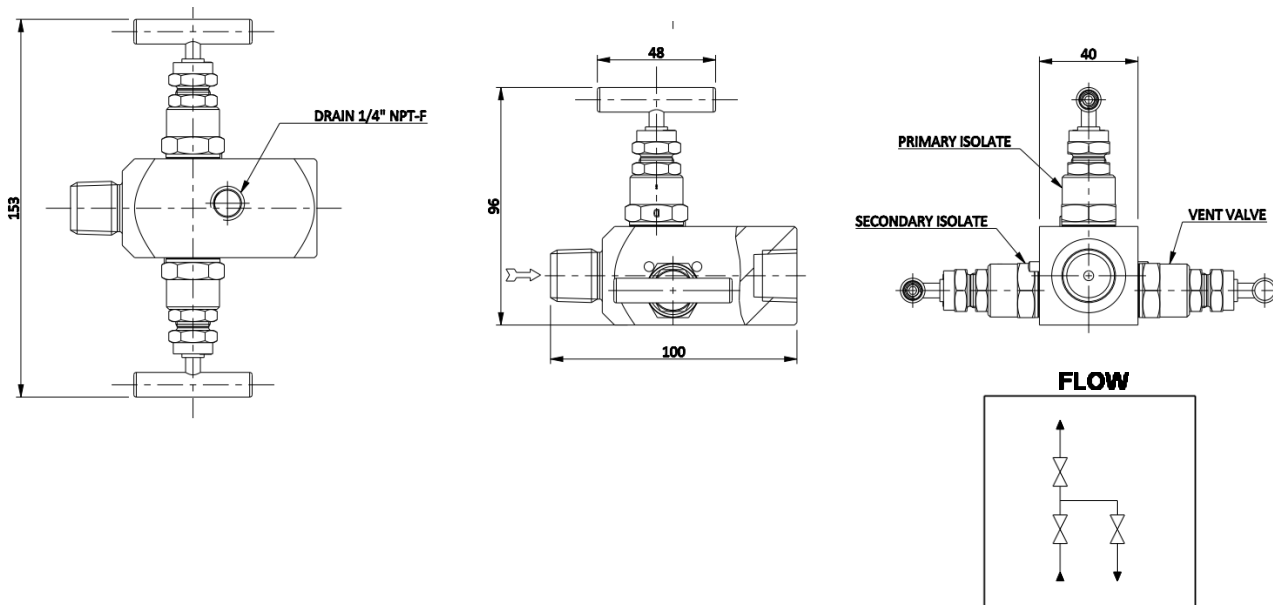
Included accessories:

- no. 1 drain plug

3104 Series

Three Valve Manifolds 6.000 psi & 10.000 psi

The Three Valve Manifolds concentrate the functions of interception and balancing in a single block, are used with differential pressure transmitters. They are designed to allow both direct and remote mounting.



Features

- IN : 1/2" NPT-M
- OUT : 1/2" NPT F
- DRAIN : 1/4" NPT-F WITH PLUG
- MATERIAL: AISI 316L
- FLAT BAR STOCK

Specifications

- Pressure up to 10,000 Psi (690 Bar)
- Temperature rating PTFE packing from -46°C to +210°C (-50°F / + 400°F)
- Temperature rating GRAPHITE packing from -46° C to + 530° C (-50°F / + 1000°F)
- Standard orifice diameter 4.0 mm
- Standard 316L stainless steel

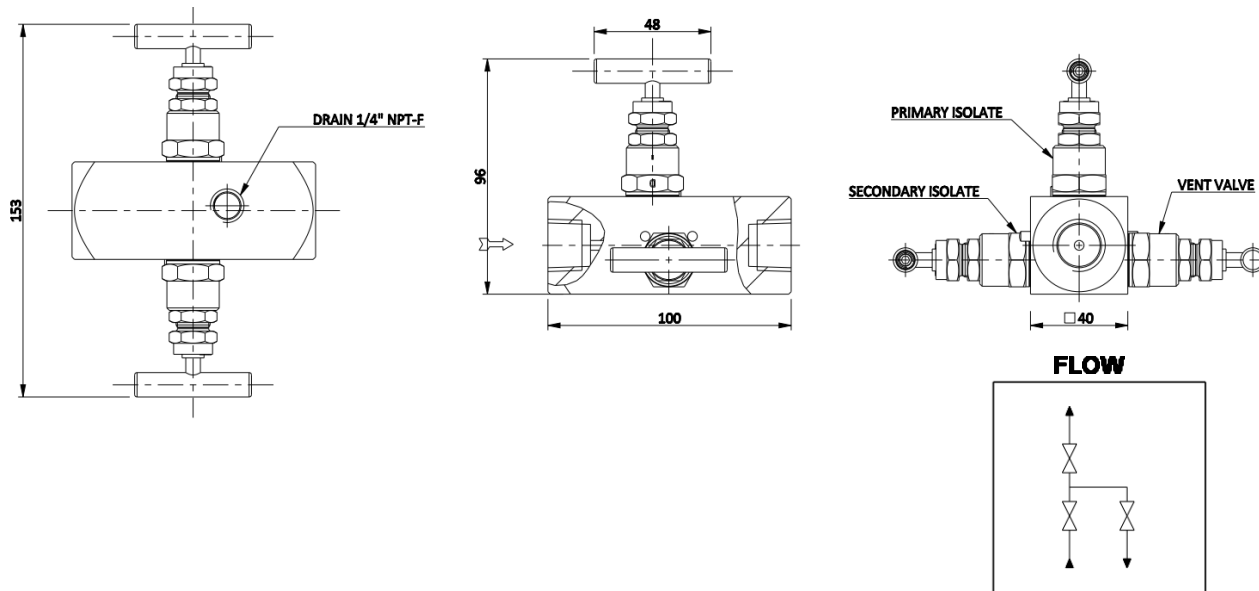
Item	Rating psi	In Size		Out size		Packing	Material
3104CDADABAA	C=6k; D10k	1/2"	NPT-M	1/2"	NPT-F	A=PTFE ; B= Graphite	316L

Included accessories:
- no. 1 drain plug

3105 Series

Three Valve Manifolds 6.000 psi & 10.000 psi

The Three Valve Manifolds concentrate the functions of interception and balancing in a single block, are used with differential pressure transmitters. They are designed to allow both direct and remote mounting.



Features

- IN : 1/2" NPT-F
- OUT : 1/2" NPT F
- DRAIN : 1/4" NPT-F WITH PLUG
- MATERIAL: AISI 316L
- FLAT BAR STOCK

Specifications

- Pressure up to 10,000 Psi (690 Bar)
- Temperature rating PTFE packing from -46°C to +210°C (-50°F / + 400°F)
- Temperature rating GRAPHITE packing from -46° C to + 530° C (-50°F / + 1000°F)
- Standard orifice diameter 4.0 mm
- Standard 316L stainless steel

Item	Rating psi	In Size		Out size		Packing	Material
3105CDADABAA	C=6k; D10k	1/2"	NPT-F	1/2"	NPT-F	A=PTFE ; B= Graphite	316L

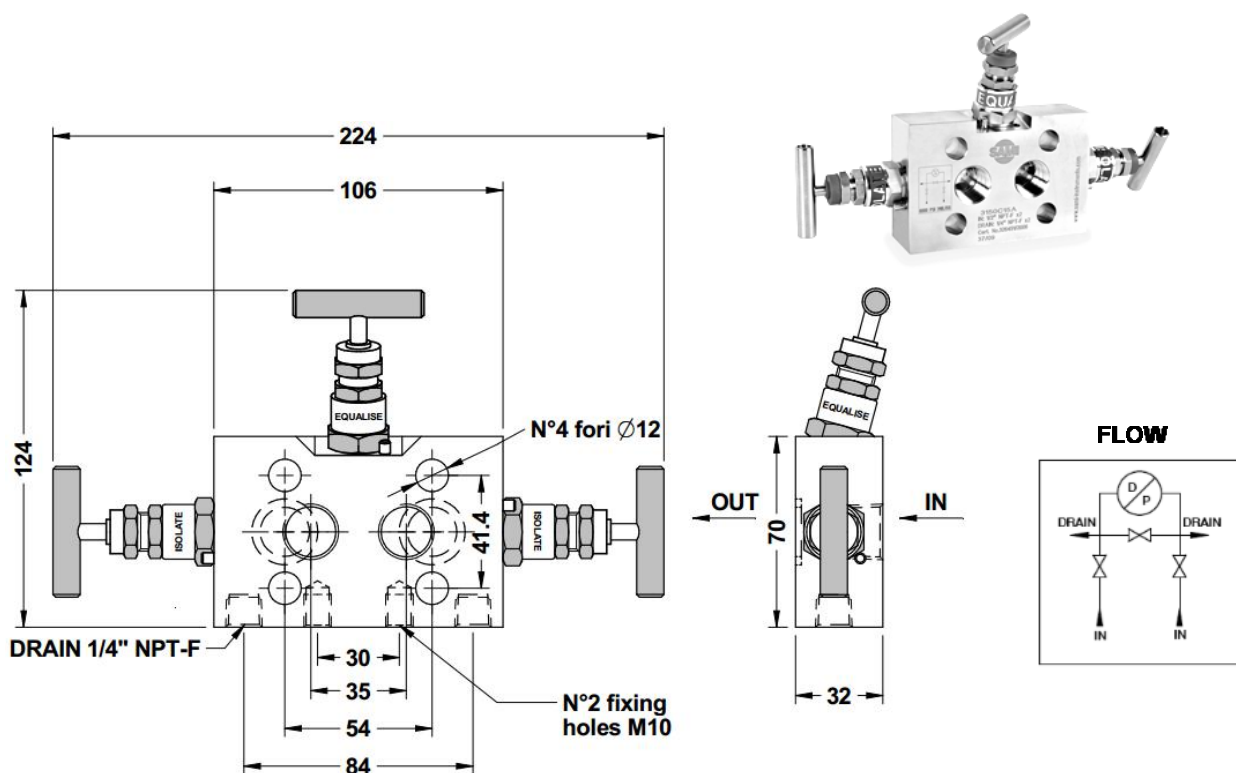
Included accessories:

- no. 1 drain plug

3150 Series

Three Valve Manifolds 6.000 psi

The Three Valve Manifolds concentrate the functions of interception and balancing in a single block, are used with differential pressure transmitters. They are designed to allow both direct and remote mounting.



Features

- IN : 1/2" NPT-F
- OUT : FLANGED IEC 61518-B
- DRAIN : 1/4" NPT-F WITH PLUG
- MATERIAL: AISI 316L
- FLAT BAR STOCK
- CENTER TO CENTER DISTANCE : IN=35 mm ; OUT= 54 mm

Specifications

- Pressure up to 6,000 Psi (414 Bar)
- Temperature rating PTFE packing from -46°C to +210°C (-50°F / + 400°F)
- Temperature rating GRAPHITE packing from -46°C to + 530° C (-50°F / + 1000°F)
- Standard orifice diameter 4.0 mm
- Standard 316L stainless steel

Item	Rating psi	In Size		Out size	Packing	Material
3150CDAHHBAA	C=6k	1/2"	NPT-F	IEC 61518-B	A=PTFE ; B= Graphite	316L
A0540-04-01		2" PIPE AND WALL VERTICAL MOUNTING BRACKET				316L
A0540-07-01		2" PIPE AND WALL HORIZONTAL MOUNTING BRACKET				316L

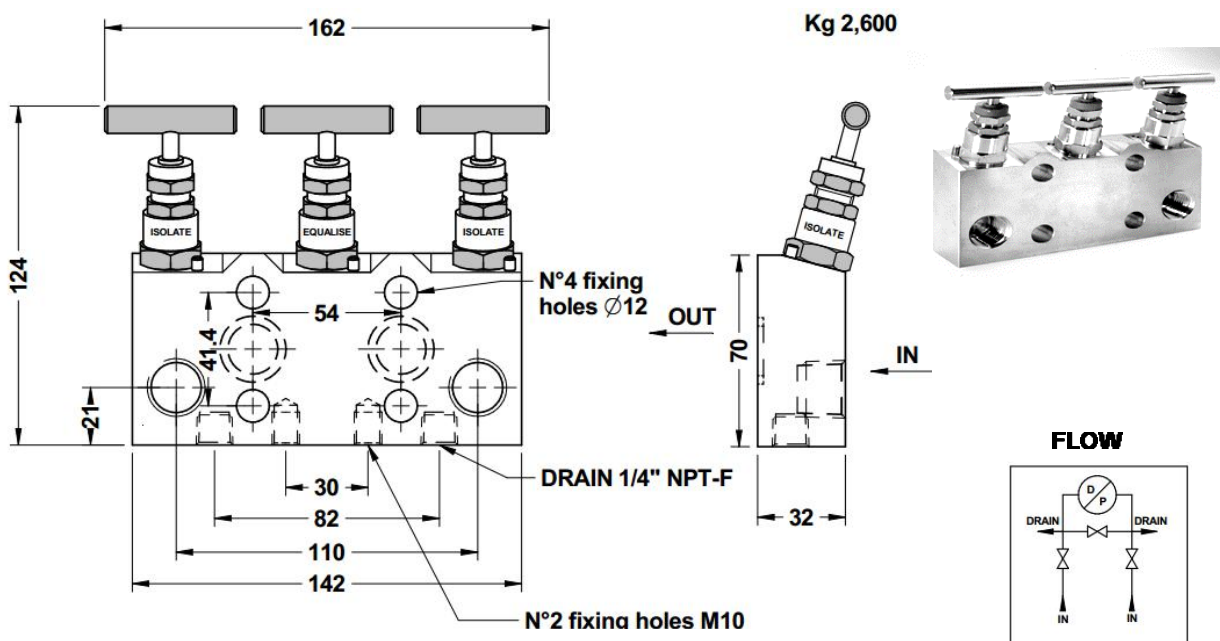
Included accessories:

- no. 4 galvanized carbon steel screws
- no. 1 drain plug
- no. 2 PTFE gaskets

3152 Series

Three Valve Manifolds 6.000 psi

The Three Valve Manifolds concentrate the functions of interception and balancing in a single block, are used with differential pressure transmitters. They are designed to allow both direct and remote mounting.



Features

- IN : 1/2" NPT-F
- OUT : FLANGED IEC 61518-B
- DRAIN : 1/4" NPT-F WITH PLUG
- MATERIAL: AISI 316L
- FLAT BAR STOCK
- CENTER TO CENTER DISTANCE : IN=110 mm ; OUT= 54 mm

Specifications

- Pressure up to 6,000 Psi (414 Bar)
- Temperature rating PTFE packing from -46°C to +210°C (-50°F / + 400°F)
- Temperature rating GRAPHITE packing from -46°C to + 530° C (-50°F / + 1000°F)
- Standard orifice diameter 4.0 mm
- Standard 316L stainless steel

Item	Rating psi	In Size		Out size	Packing	Material
3152CDAHHBAA	C=6k	1/2"	NPT-F	IEC 61518-B	A=PTFE ; B= Graphite	316L
A0540-04-01		2" PIPE AND WALL VERTICAL MOUNTING BRACKET				316L
A0540-07-01		2" PIPE AND WALL HORIZONTAL MOUNTING BRACKET				316L

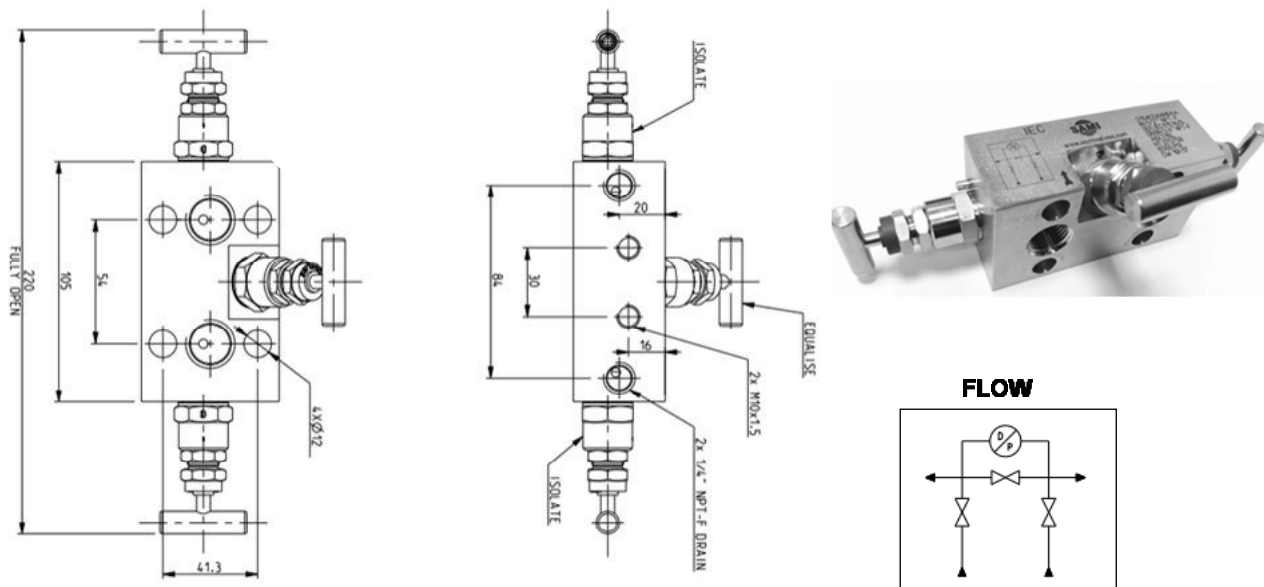
Included accessories:

- no. 4 galvanized carbon steel screws
- no. 1 drain plug
- no. 2 PTFE gaskets

3154 Series

Three Valve Manifolds 6.000 psi

The Three Valve Manifolds concentrate the functions of interception and balancing in a single block, are used with differential pressure transmitters. They are designed to allow both direct and remote mounting.



Features

- IN : 1/2" NPT-F
- OUT : FLANGED IEC 61518-B
- DRAIN : 1/4" NPT-F WITH PLUG
- MATERIAL: AISI 316L
- FLAT BAR STOCK
- CENTER TO CENTER DISTANCE : IN=54 mm ; OUT= 54 mm

Specifications

- Pressure up to 6,000 Psi (414 Bar)
- Temperature rating PTFE packing from -46°C to +210°C (-50°F / + 400°F)
- Temperature rating GRAPHITE packing from -46°C to + 530° C (-50°F / + 1000°F)
- Standard orifice diameter 4.0 mm
- Standard 316L stainless steel

Item	Rating psi	In Size		Out size	Packing	Material
3154CDAHHBAA	C=6k	1/2"	NPT-F	IEC 61518-B	A=PTFE ; B= Graphite	316L
A0540-04-01		2" PIPE AND WALL VERTICAL MOUNTING BRACKET				316L
A0540-07-01		2" PIPE AND WALL HORIZONTAL MOUNTING BRACKET				316L

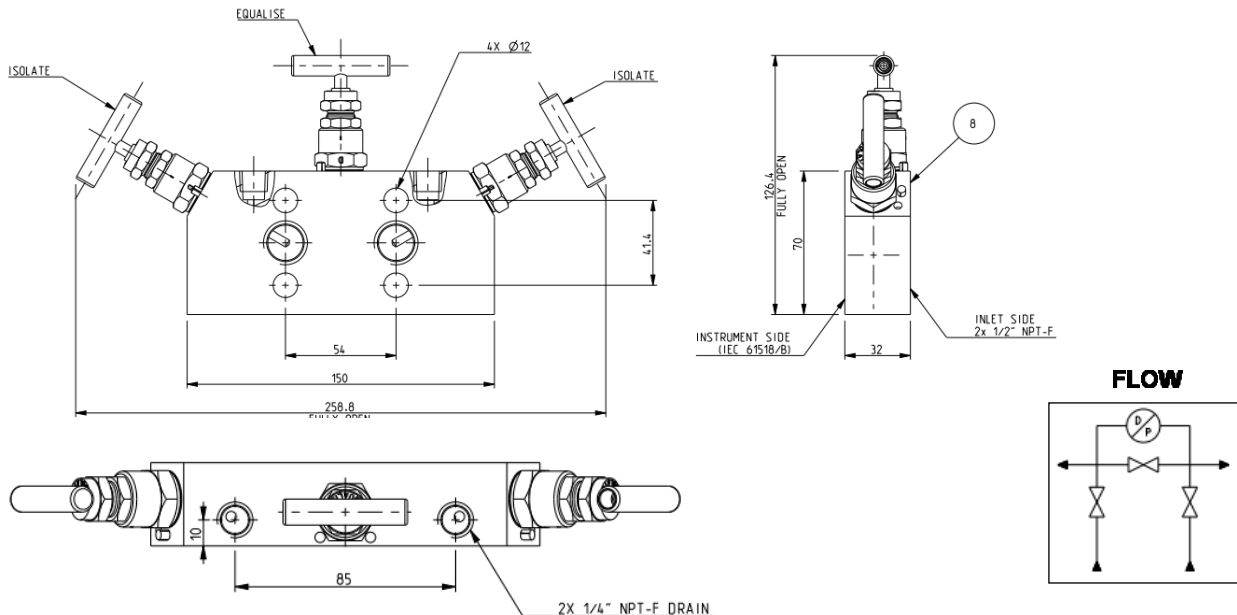
Included accessories:

- no. 4 galvanized carbon steel screws
- no. 1 drain plug
- no. 2 PTFE gaskets

3156 Series

Three Valve Manifolds 6.000 psi

The Three Valve Manifolds concentrate the functions of interception and balancing in a single block, are used with differential pressure transmitters. They are designed to allow both direct and remote mounting.



Features

- IN : 1/2" NPT-F
- OUT : FLANGED IEC 61518-B
- DRAIN : 1/4" NPT-F WITH PLUG
- MATERIAL: AISI 316L
- FLAT BAR STOCK
- CENTER TO CENTER DISTANCE : IN=54 mm ; OUT= 54 mm

Specifications

- Pressure up to 6,000 Psi (414 Bar)
- Temperature rating PTFE packing from -46°C to +210°C (-50°F / + 400°F)
- Temperature rating GRAPHITE packing from -46°C to + 530° C (-50°F / + 1000°F)
- Standard orifice diameter 4.0 mm
- Standard 316L stainless steel

Item	Rating psi	In Size		Out size	Packing	Material
3156CDAHHBAA	C=6k	1/2"	NPT-F	Flanged	A=PTFE ; B= Graphite	316L
A0540-23-01		2" PIPE AND WALL HORIZONTAL MOUNTING BRACKET				316L

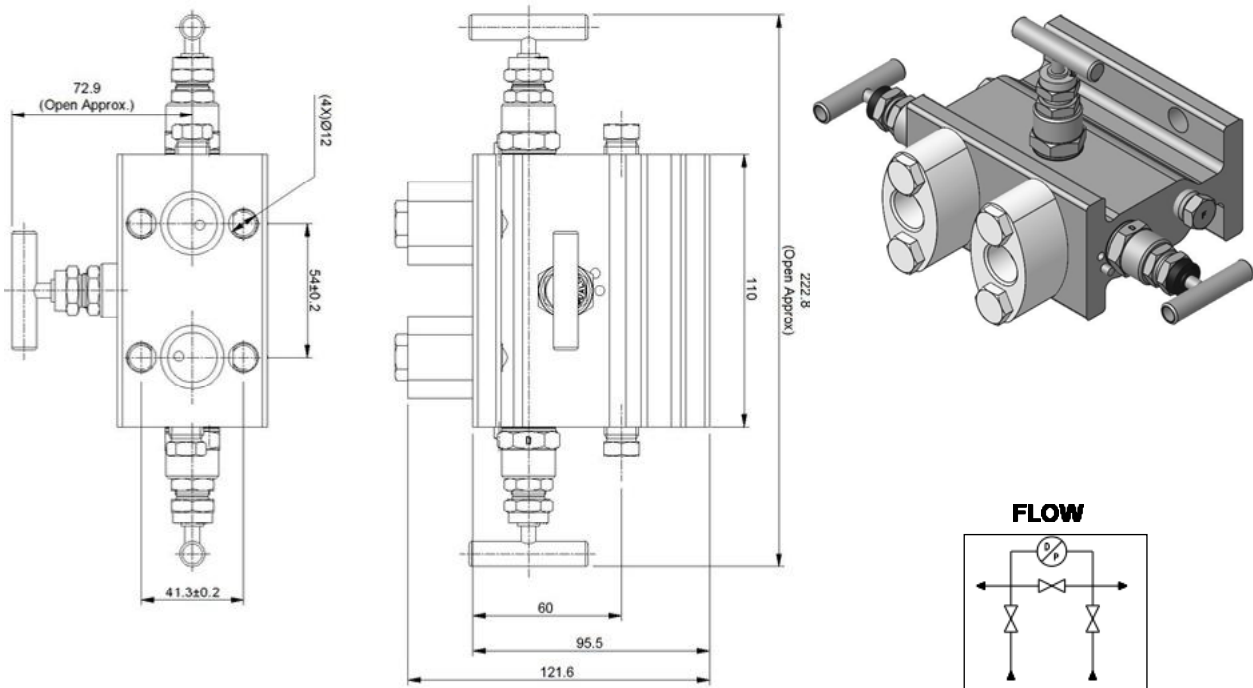
Included accessories:

- no. 4 galvanized carbon steel screws
- no. 1 drain plug
- no. 2 PTFE gaskets

3160 Series

Three Valve Manifolds 6.000 psi

The Three Valve Manifolds, which concentrate the functions of interception and balancing in a single block, are used with differential pressure transmitters. They are designed to allow both direct and remote mounting.



Features

- IN : FLANGED NPT-F
- OUT : FLANGED IEC 61518-B
- DRAIN : 1/4" NPT-F WITH PLUG
- MATERIAL: AISI 316L
- FORGED OR COLD DRAWN BAR STOCK
- CENTER TO CENTER DISTANCE : IN/OUT 54 mm

Specifications

- Pressure up to 6,000 Psi (414 Bar)
- Temperature rating PTFE packing from -46°C to +210°C (-50°F / + 400°F)
- Temperature rating GRAPHITE packing from -46°C to + 530° C (-50°F / + 1000°F)
- Standard orifice diameter 4.0 mm
- Standard 316L stainless steel

Item	Rating psi	In Size	Out size	Packing	Material
3160CDAHBBAA	C=6k	1/2" NPT-F	IEC 61518 - B	A=PTFE ; B= Graphite	316L
A0540-30-01		2" PIPE AND WALL HORIZONTAL MOUNTING BRACKET			316L

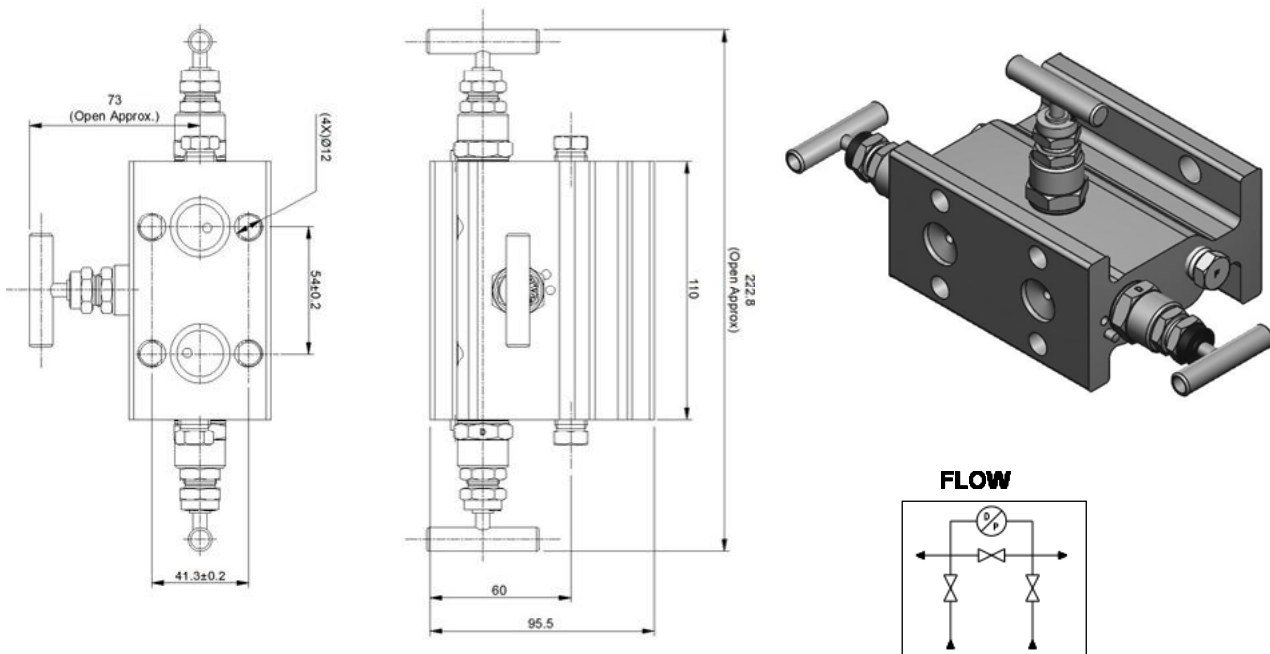
Included accessories:

- no. 4 galvanized carbon steel screws
- no. 1 drain plug
- no. 2 PTFE gaskets

3160 Series

Three Valve Manifolds 6.000 psi

The Three Valve Manifolds, which concentrate the functions of interception and balancing in a single block, are used with differential pressure transmitters. They are designed to allow both direct and remote mounting.



Features

- IN : FLANGED IEC 61518
- OUT : FLANGED IEC 61518-B
- DRAIN : 1/4" NPT-F WITH PLUG
- MATERIAL: AISI 316L
- FORGED OR COLD DRAWN BAR STOCK
- CENTER TO CENTER DISTANCE : IN/OUT 54 mm

Specifications

- Pressure up to 6,000 Psi (414 Bar)
- Temperature rating PTFE packing from -46°C to +210°C (-50°F / + 400°F)
- Temperature rating GRAPHITE packing from -46°C to + 530° C (-50°F / + 1000°F)
- Standard orifice diameter 4.0 mm
- Standard 316L stainless steel

Item	Rating psi	In Size	Out size	Packing	Material
3160CHHHBAA	C=6k	FLANGED	FLANGED	A=PTFE ; B= Graphite	316L
A0540-30-01		2" PIPE AND WALL HORIZONTAL MOUNTING BRACKET			316L

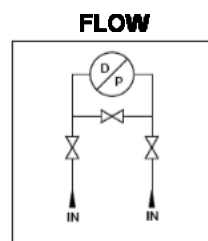
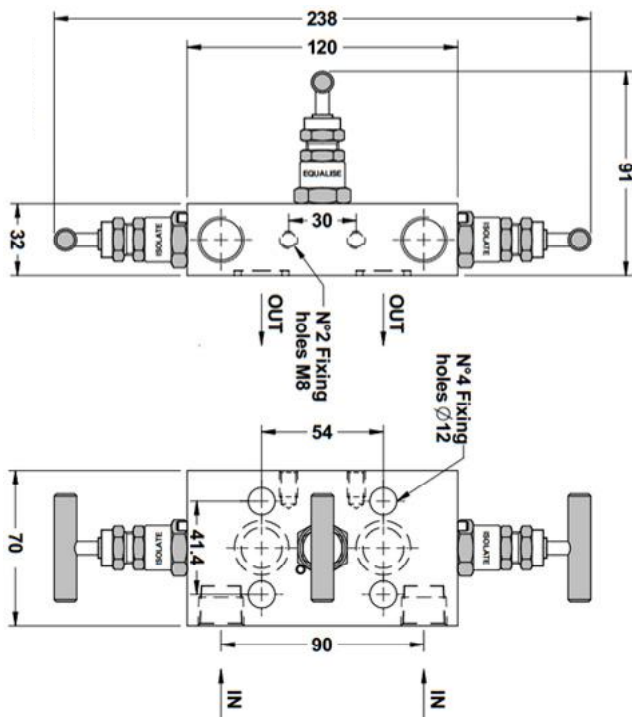
Included accessories:

- no. 8 galvanized carbon steel screws
- no. 1 drain plug
- no. 2 PTFE gaskets

3250 Series

Three Valve Manifolds 6.000 psi

The Three Valve Manifolds concentrate the functions of interception and balancing in a single block, are used with differential pressure transmitters. They are designed to allow both direct and remote mounting.



Features

- IN : 1/2" NPT-F
- OUT : FLANGED IEC 61518-B
- DRAIN : NONE
- MATERIAL: AISI 316L
- FLAT BAR STOCK
- CENTER TO CENTER DISTANCE : 54 mm

Specifications

- Pressure up to 6,000 Psi (414 Bar)
- Temperature rating PTFE packing from -46°C to +210°C (-50°F / + 400°F)
- Temperature rating GRAPHITE packing from -46°C to + 530° C (-50°F / + 1000°F)
- Standard orifice diameter 4.0 mm
- Standard 316L stainless steel

Item	Rating psi	In Size		Out size	Packing	Material
3250CDAHHA	C=6k	1/2"	NPT-F	Flanged	A=PTFE ; B= Graphite	316L
A0540-36-01		2" PIPE AND WALL HORIZONTAL MOUNTING BRACKET				316L

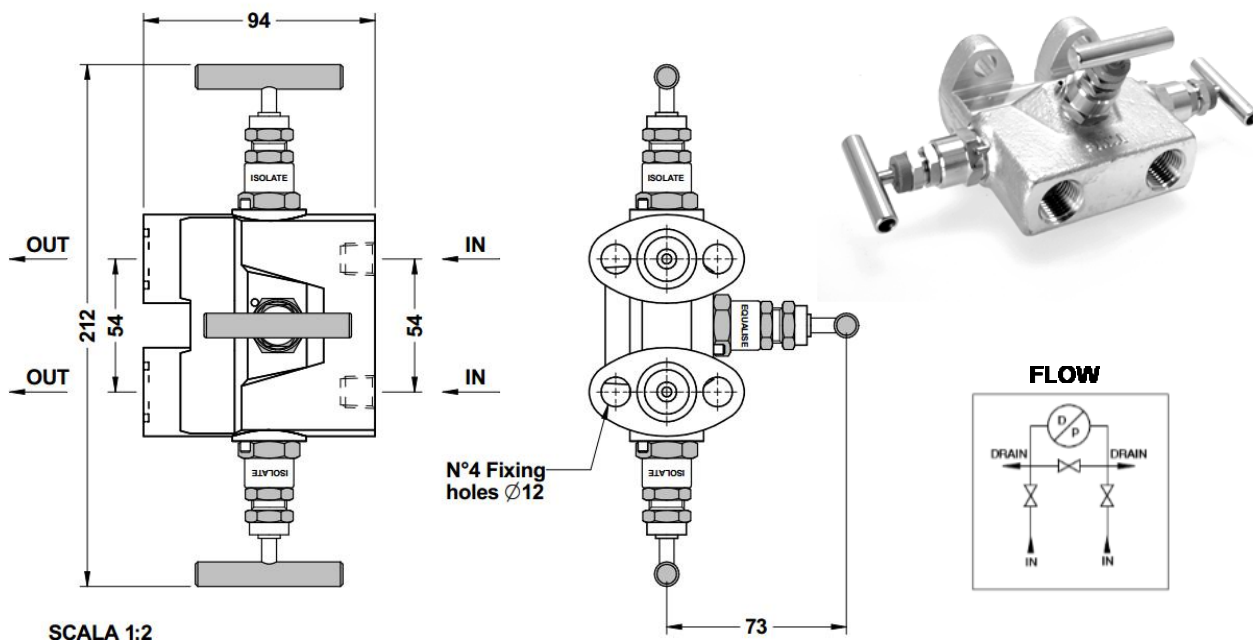
Included accessories:

- no. 4 galvanized carbon steel screws
- no. 1 drain plug
- no. 2 PTFE gaskets

3452 Series

Three Valve Manifolds 6.000 psi & 10.000 psi / Forged

The three Valve manifolds are used with differential pressure trasmitters. In a single block the functions of interception and balancing are gathered. They are designed to allow both direct and remote mounting.



Features

- IN : 1/4" NPT-F
- OUT : 1/4" NPT-F
- DRAIN : 1/4" NPT-F WITH PLUG
- MATERIAL: AISI 316L
- FLAT BAR STOCK
- CENTER TO CENTER DISTANCE : 54 mm

Specifications

- Pressure up to 10,000 Psi (690 Bar)
- Temperature rating PTFE packing from -46°C to +210°C (-50°F / + 400°F)
- Temperature rating GRAPHITE packing from -46° C to + 530° C (-50°F / + 1000°F)
- Standard orifice diameter 4.0 mm
- Standard 316L stainless steel

Item	Rating psi	In Size		Out size		Packing	Material
3452CBABABAA	C=6k; D10k	1/4"	NPT-F	1/4"	NPT-F	A=PTFE ; B= Graphite	316L

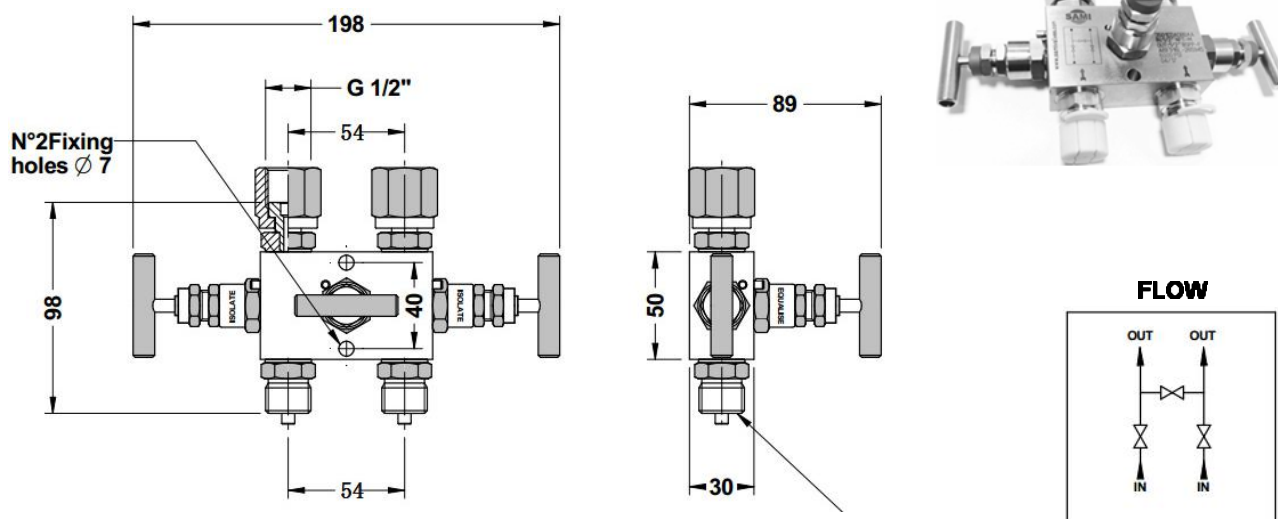
Included accessories:

- no. 1 drain plug

3501 Series

Three Valve Manifolds 6.000 psi & 10.000 psi / Forged

The three Valve manifolds are used with differential pressure transmitters. In a single block the functions of interception and balancing are gathered. They are designed to allow both direct and remote mounting.



Features

- IN : THREADED MALE
- OUT : THREADED FIXED * OR SWIVEL
- DRAIN : NONE
- MATERIAL: AISI 316L
- FLAT BAR STOCK
- CENTER TO CENTER DISTANCE : IN/OUT 54 mm

Specifications

- Pressure up to 10,000 Psi (690 Bar)
- Temperature rating PTFE packing from -46°C to +210°C (-50°F / + 400°F)
- Temperature rating GRAPHITE packing from -46°C to + 530° C (-50°F / + 1000°F)
- Standard orifice diameter 4.0 mm
- Standard 316L stainless steel

Item	Rating psi	In Size		Out size		Packing	Material
3501CCBCBBAA	C=6k	3/8"	BSP-M	3/8"	BSP-F *	A=PTFE ; B= Graphite	316L
3501CDADBBAA	C=6k	1/2"	NPT-M	1/2"	BSP-F	A=PTFE ; B= Graphite	316L
3501CDBDBBAA	C=6k	1/2"	BSP-M	1/2"	BSP-F	A=PTFE ; B= Graphite	316L
A0540-06-01		2" PIPE AND WALL MOUNTING BRACKET					316L

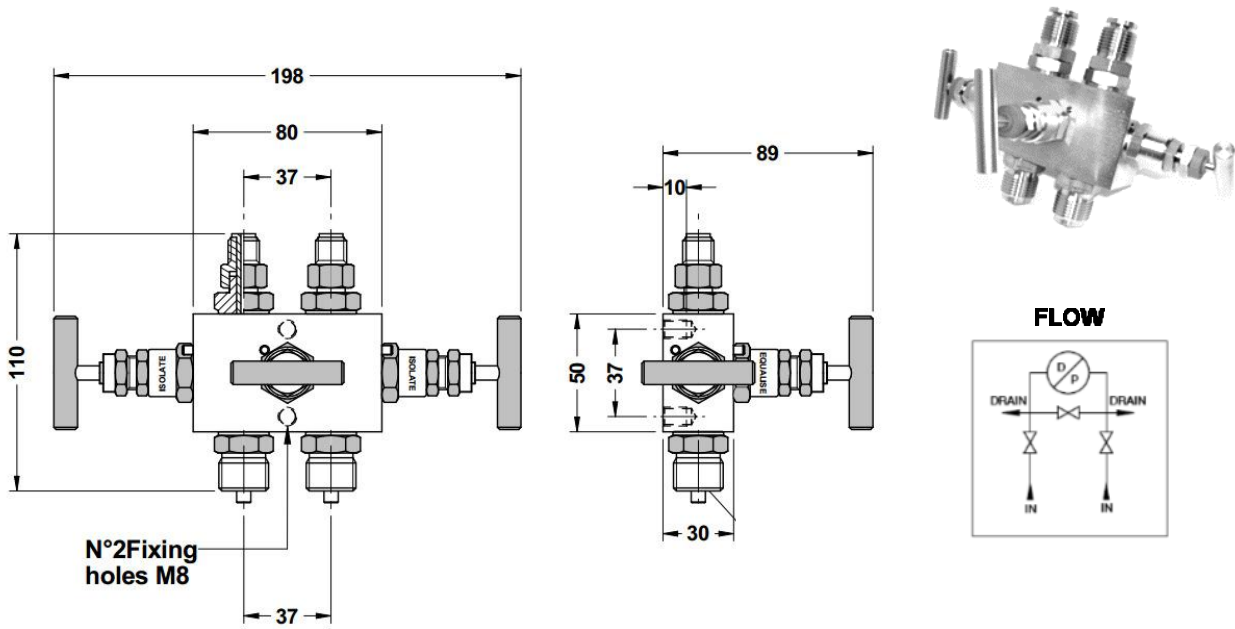
Note:

* Fixed thread

3502 Series

Three Valve Manifolds 6.000 psi & 10.000 psi / Forged

The three Valve manifolds are used with differential pressure transmitters. In a single block the functions of interception and balancing are gathered. They are designed to allow both direct and remote mounting.



Features

- IN : THREADED MALE
- OUT : 1/4" BSP-M SWIVEL
- DRAIN : NONE
- MATERIAL: AISI 316L
- FLAT BAR STOCK
- CENTER TO CENTER DISTANCE : IN/OUT 37 mm

Specifications

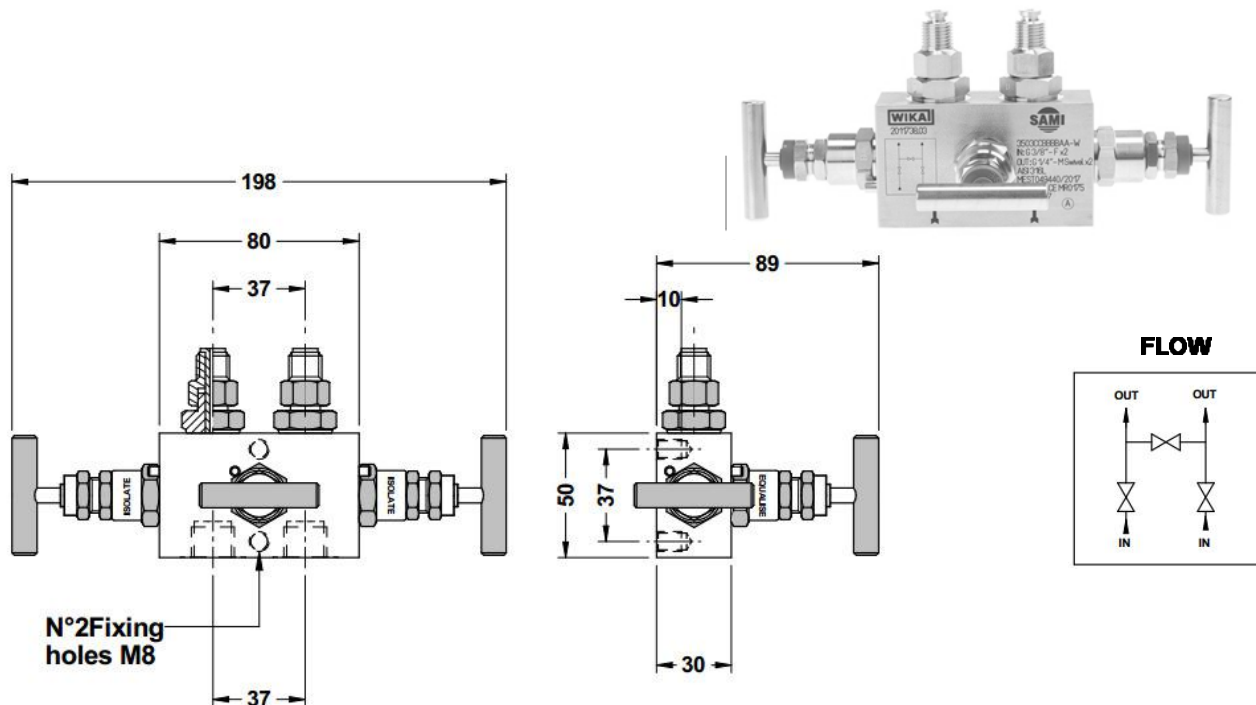
- Pressure up to 10,000 Psi (690 Bar)
- Temperature rating PTFE packing from -46°C to +210°C (-50°F / + 400°F)
- Temperature rating GRAPHITE packing from -46°C to + 530° C (-50°F / + 1000°F)
- Standard orifice diameter 4.0 mm
- Standard 316L stainless steel

Item	Rating psi	In Size		Out size		Packing	Material
3502CDBBBBAA	C=6k	1/2"	BSP-M	1/4"	BSP-M	A=PTFE ; B= Graphite	316L
3502CDABBBAA	C=6k	1/2"	NPT-M	1/4"	BSP-M	A=PTFE ; B= Graphite	316L

3503 Series

Three Valve Manifolds 6.000 psi & 10.000 psi / Forged

The three Valve manifolds are used with differential pressure transmitters. In a single block the functions of interception and balancing are gathered. They are designed to allow both direct and remote mounting.



Features

- IN : THREADED FEMALE
- OUT : 1/4" BSP-M SWIVEL
- DRAIN : NONE
- MATERIAL: AISI 316L
- FLAT BAR STOCK
- CENTER TO CENTER DISTANCE : IN/OUT 37 mm

Specifications

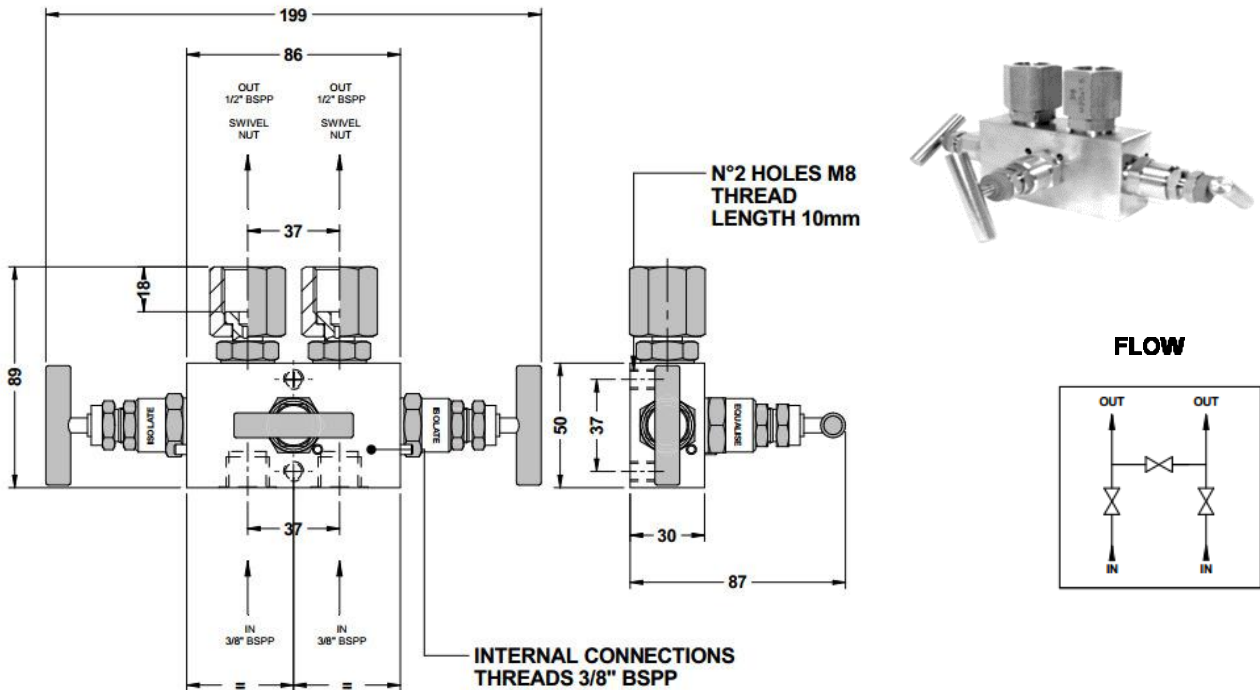
- Pressure up to 10,000 Psi (690 Bar)
- Temperature rating PTFE packing from -46°C to +210°C (-50°F / + 400°F)
- Temperature rating GRAPHITE packing from -46°C to + 530° C (-50°F / + 1000°F)
- Standard orifice diameter 4.0 mm
- Standard 316L stainless steel

Item	Rating psi	In Size		Out size		Packing	Material
3503CBBBAA	C=6k	3/8"	BSP-F	1/4"	BSP-M	A=PTFE ; B= Graphite	316L

3504 Series

Three Valve Manifolds 6.000 psi & 10.000 psi / Forged

The three Valve manifolds are used with differential pressure transmitters. In a single block the functions of interception and balancing are gathered. They are designed to allow both direct and remote mounting.



Features

- IN : THREADED MALE
- OUT : 1/2" BSP-F SWIVEL
- DRAIN : NONE
- MATERIAL: AISI 316L
- FLAT BAR STOCK
- CENTER TO CENTER DISTANCE : IN/OUT 37 mm

Specifications

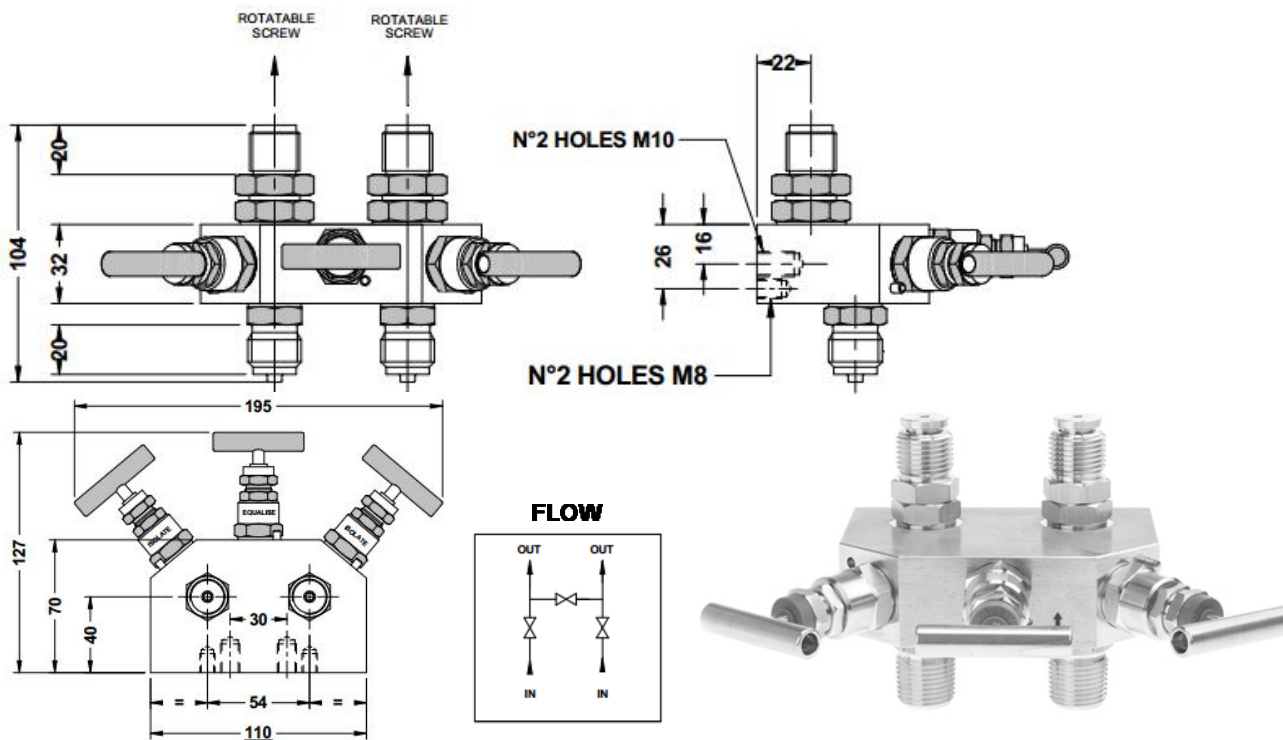
- Pressure up to 10,000 Psi (690 Bar)
- Temperature rating PTFE packing from -46°C to +210°C (-50°F / + 400°F)
- Temperature rating GRAPHITE packing from -46°C to + 530° C (-50°F / + 1000°F)
- Standard orifice diameter 4.0 mm
- Standard 316L stainless steel

Item	Rating psi	In Size		Out size		Packing	Material
3504CCBDBBAA	C=6k	3/8"	BSP-F	1/2"	BSP-F	A=PTFE ; B= Graphite	316L

3505 Series

Three Valve Manifolds 6.000 psi & 10.000 psi / Forged

The three Valve manifolds are used with differential pressure transmitters. In a single block the functions of interception and balancing are gathered. They are designed to allow both direct and remote mounting.



Features

- IN : THREADED MALE
- OUT : 1/2" BSP-M SWIVEL
- DRAIN : NONE
- MATERIAL: AISI 316L
- FLAT BAR STOCK
- CENTER TO CENTER DISTANCE : IN/OUT=54 mm

Specifications

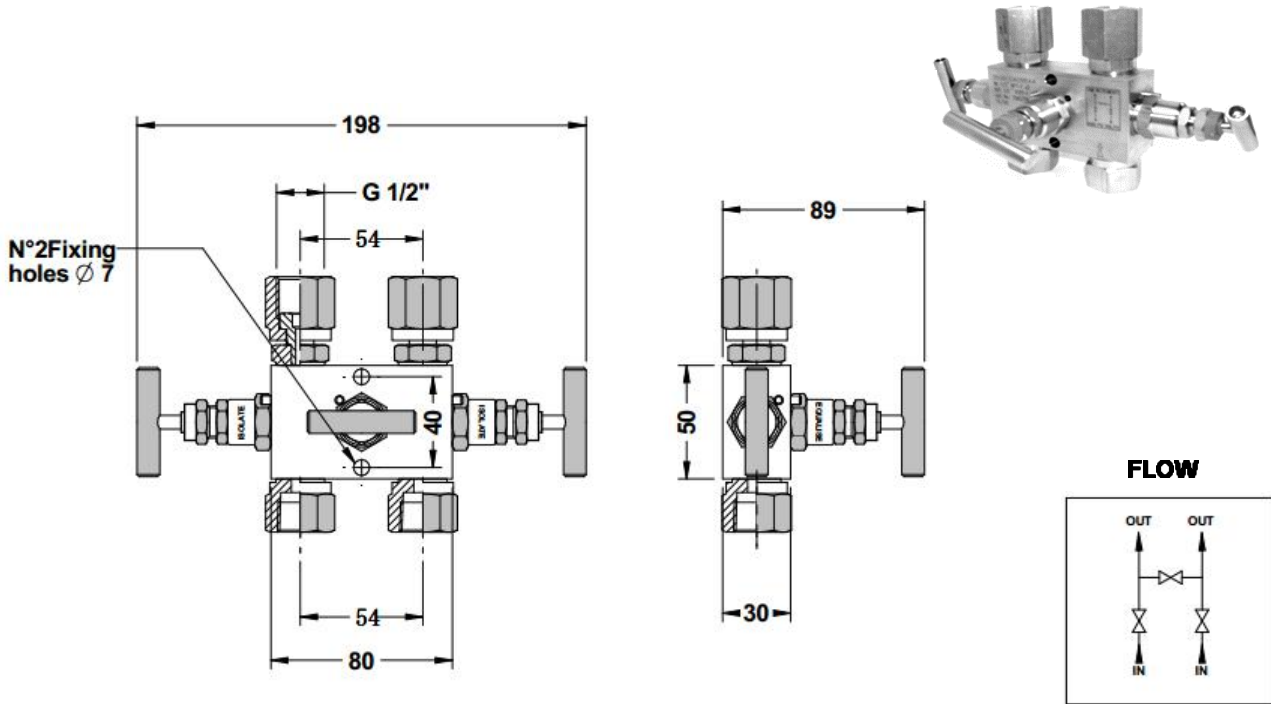
- Pressure up to 10,000 Psi (690 Bar)
- Temperature rating PTFE packing from -46°C to +210°C (-50°F / + 400°F)
- Temperature rating GRAPHITE packing from -46° C to + 530° C (-50°F / + 1000°F)
- Standard orifice diameter 4.0 mm
- Standard 316L stainless steel

Item	Rating psi	In Size		Out size		Packing	Material
3505CDBDBBAA	C=6k	1/2"	BSP-M	1/2"	BSP-M	A=PTFE ; B= Graphite	316L
3505CDADBBAA	C=6k	1/2"	NPT-M	1/2"	BSP-M	A=PTFE ; B= Graphite	316L
A0540-04-01		2" PIPE AND WALL VERTICAL MOUNTING BRACKET					316L
A0540-07-01		2" PIPE AND WALL HORIZONTAL MOUNTING BRACKET					316L

3506 Series

Three Valve Manifolds 6.000 psi & 10.000 psi / Forged

The three Valve manifolds are used with differential pressure trasmitters. In a single block the functions of interception and balancing are gathered. They are designed to allow both direct and remote mounting.



Features

- IN : THREADED FEMALE
- OUT : 1/2" BSP-F SWIVEL
- DRAIN : NONE
- MATERIAL: AISI 316L
- FLAT BAR STOCK
- CENTER TO CENTER DISTANCE : IN/OUT=54 mm

Specifications

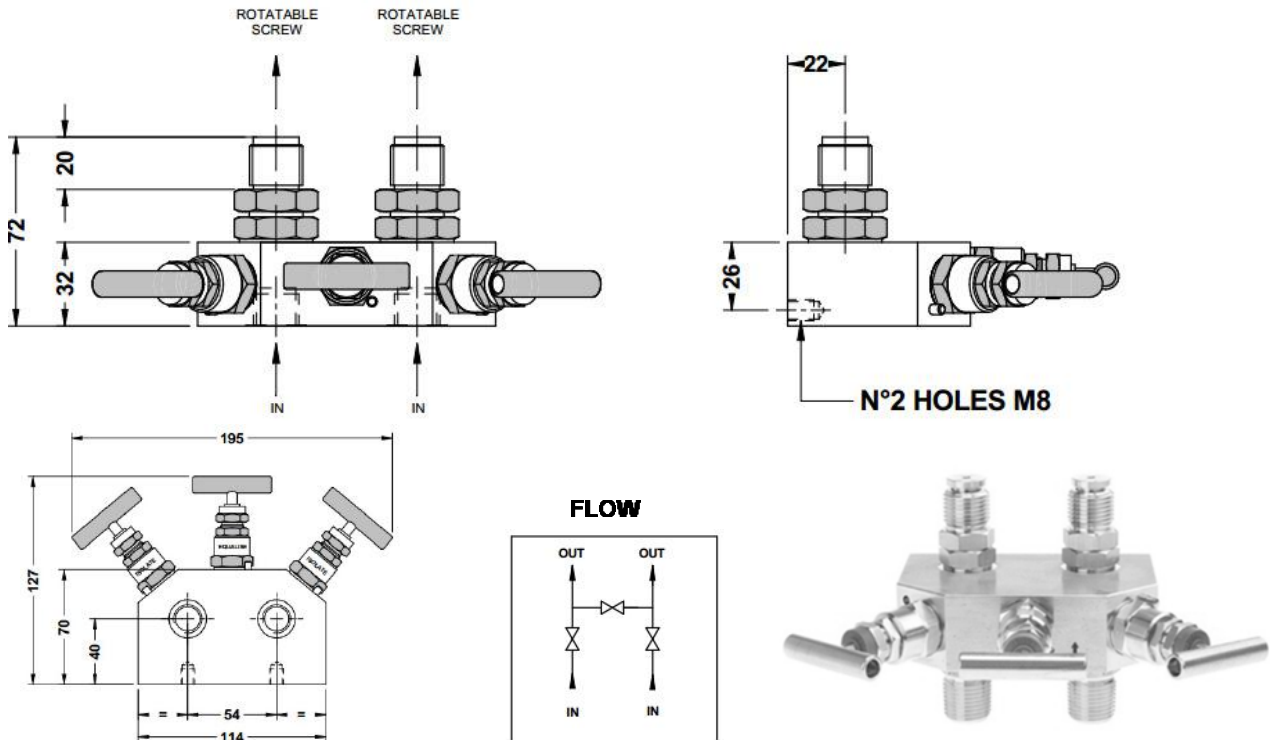
- Pressure up to 10,000 Psi (690 Bar)
- Temperature rating PTFE packing from -46°C to +210°C (-50°F / + 400°F)
- Temperature rating GRAPHITE packing from -46°C to + 530° C (-50°F / + 1000°F)
- Standard orifice diameter 4.0 mm
- Standard 316L stainless steel

Item	Rating psi	In Size		Out size		Packing	Material	
3506CDBDBBAA	C=6k	1/2"	BSP-F	1/2"	BSP-F	A=PTFE ; B= Graphite	316L	
3506CDADBBAA	C=6k	1/2"	NPT-F	1/2"	BSP-F	A=PTFE ; B= Graphite	316L	
A0540-06-01		2" PIPE AND WALL MOUNTING BRACKET						316L

3508 Series

Three Valve Manifolds 6.000 psi & 10.000 psi / Forged

The three Valve manifolds are used with differential pressure transmitters. In a single block the functions of interception and balancing are gathered. They are designed to allow both direct and remote mounting.



Features

- IN : THREADED MALE
- OUT : 1/2" BSP-M SWIVEL
- DRAIN : NONE
- MATERIAL: AISI 316L
- FLAT BAR STOCK
- CENTER TO CENTER DISTANCE : IN/OUT=54 mm

Specifications

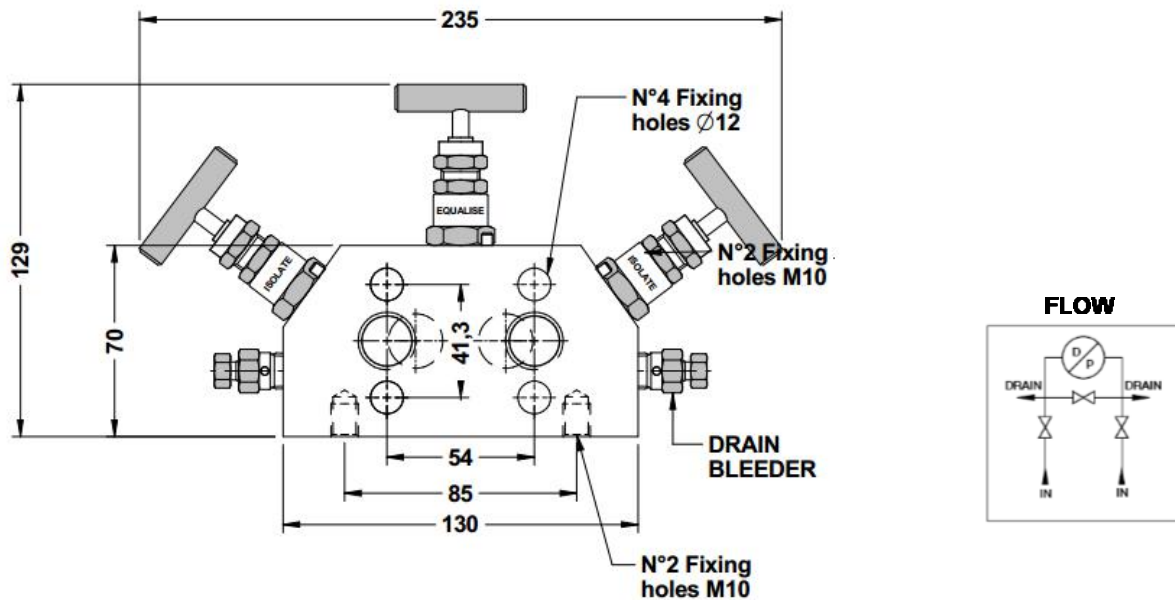
- Pressure up to 10,000 Psi (690 Bar)
- Temperature rating PTFE packing from -46°C to +210°C (-50°F / + 400°F)
- Temperature rating GRAPHITE packing from -46° C to + 530° C (-50°F / + 1000°F)
- Standard orifice diameter 4.0 mm
- Standard 316L stainless steel

Item	Rating psi	In Size		Out size		Packing	Material
3508CCBDBBAA	C=6k	3/8"	BSP-F	1/2"	BSP-M	A=PTFE ; B= Graphite	316L
A0540-04-01		2" PIPE AND WALL VERTICAL MOUNTING BRACKET					316L
A0540-07-01		2" PIPE AND WALL HORIZONTAL MOUNTING BRACKET					316L

3550 Series

Three Valve Manifolds 6.000 psi / Coplanar

The Three Valve Manifolds concentrate the functions of interception and balancing in a single block, are used with differential pressure transmitters. They are designed to allow both direct and remote mounting.



Features

- IN : 1/2" NPT-F
- OUT : FLANGED IEC 61518-B
- DRAIN : 1/4 NPT.F
- MATERIAL: AISI 316L
- FLAT BAR STOCK
- CENTER TO CENTER DISTANCE : 54 mm

Specifications

- Pressure up to 6,000 Psi (414 Bar)
- Temperature rating PTFE packing from -46°C to +210°C (-50°F / + 400°F)
- Temperature rating GRAPHITE packing from -46°C to + 530° C (-50°F / + 1000°F)
- Standard orifice diameter 4.0 mm
- Standard 316L stainless steel

Item	Rating psi	In Size		Out size	Packing	Material
3550CDAHHBAA	C=6k	1/2"	NPT-F	FLANGED	A=PTFE ; B= Graphite	316L

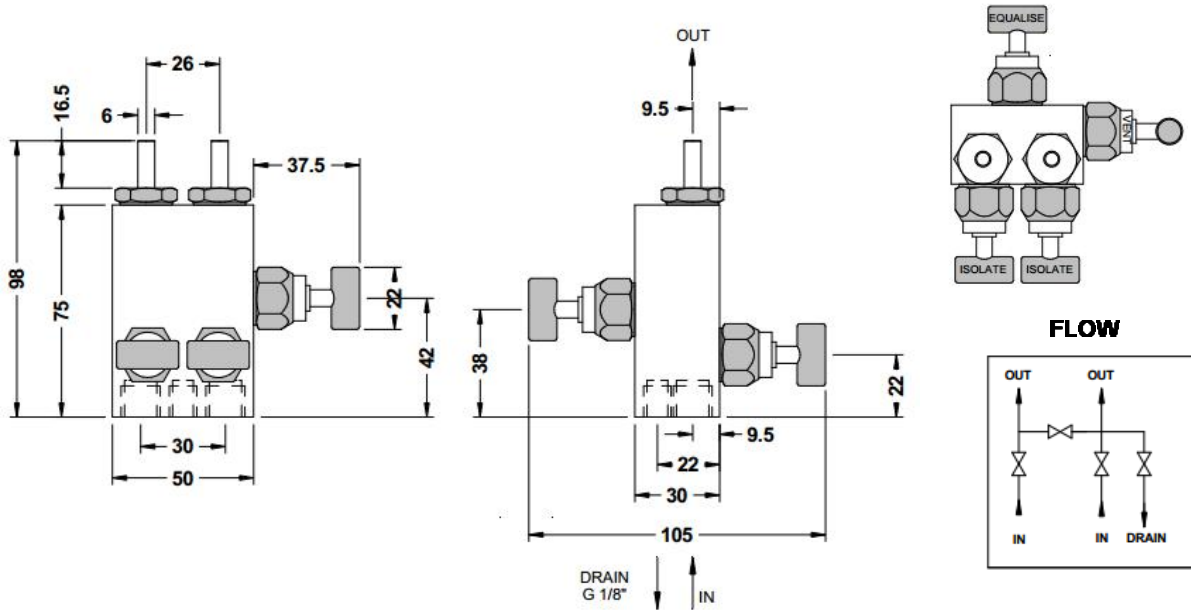
Included accessories:

- no. 4 galvanized carbon steel screws
- no. 1 drain plug
- no. 2 PTFE gaskets

4300 Series

Four Valve Manifolds 6.000 psi & 10.000 psi / Coplanar

The Four Valve Manifolds concentrate the functions of interception and balancing in a single block, are used with differential pressure transmitters. They are designed to allow both direct and remote mounting.



Features

- IN-OUT: THREADED/THREADED
- MATERIAL: AISI 316L / BRASS
- BAR STOCK VALVE FEMALE/FEMALE
- WITH DRAIN G1/8
- CENTER TO CENTER DISTANCE : 30 mm
- Packing : C=Viton-10/+100°C

Specifications

- Pressure up to 10,000 Psi (690 Bar)
- Temperature rating PTFE packing from -46°C to +210°C (-50°F / + 400°F)
- Temperature rating GRAPHITE packing from -46°C to + 530° C (-50°F / + 1000°F)
- Standard orifice diameter 4.0 mm
- Standard 316L stainless steel

Item	Rating	In Size		Out size		Packing	Material
4300CBBFFBCC	PN25	1/4"	BSP-F	Ø6	O.D.	C= VITON	316L

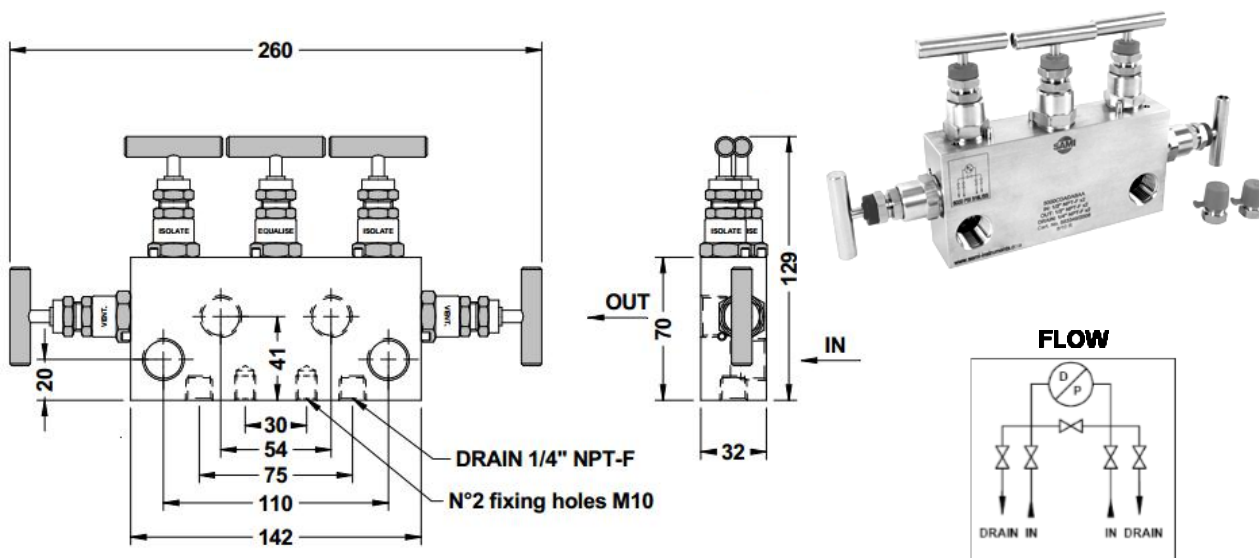
Included accessories:

- no. 1 drain plug

5000 Series

Five Valve Manifolds 6.000 psi & 10.000 psi

The Five Valve Manifolds that concentrate in a single block the functions of interception, balancing and drain, are designed to allow both direct and remote mounting.



Features

- IN : 1/2" NPT-F
- OUT : 1/2" NPT-F
- DRAIN : 2 X 1/4" NPT-F WITH PLUG
- MATERIAL: AISI 316L
- FLAT BAR STOCK
- CENTER TO CENTER DISTANCE : IN=110 mm ; OUT=54 mm

Specifications

- Pressure up to 10,000 Psi (690 Bar)
- Temperature rating PTFE packing from -46°C to +210°C (-50°F / + 400°F)
- Temperature rating GRAPHITE packing from -46°C to + 530° C (-50°F / + 1000°F)
- Standard orifice diameter 4.0 mm
- Standard 316L stainless steel

Item	Rating psi	In Size		Out size		Packing	Material
5000CDADABAA	C=6k	1/2"	NPT-F	1/2"	NPT-F	A=PTFE ; B= Graphite	316L
A0540-04-01		2" PIPE AND WALL VERTICAL MOUNTING BRACKET					316L
A0540-07-01		2" PIPE AND WALL HORIZONTAL MOUNTING BRACKET					316L

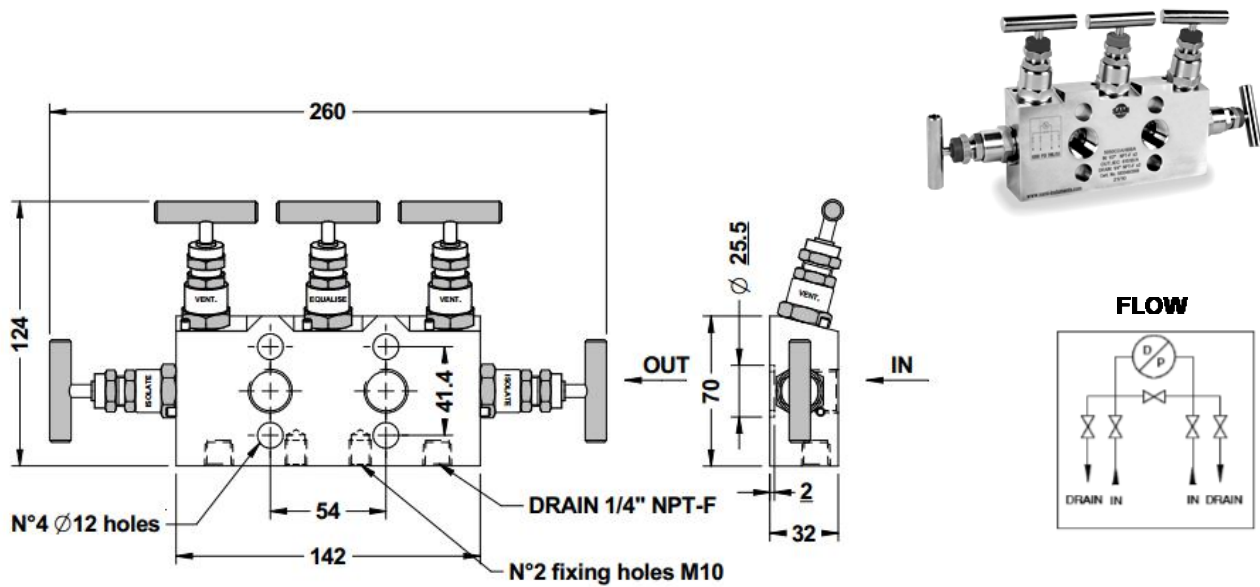
Included accessories:

- no. 2 drain plugs

5050 Series

Five Valve Manifolds 6.000 psi

The Five Valve Manifolds that concentrate in a single block the functions of interception, balancing and drain, are designed to allow both direct and remote mounting.



Features

- IN : 1/2" NPT-F
- OUT : IEC 61518 - B
- DRAIN : 2 X 1/4" NPT-F WITH PLUG
- MATERIAL: AISI 316L
- FLAT BAR STOCK
- CENTER TO CENTER DISTANCE : IN/OUT=54 mm

Specifications

- Pressure up to 6,000 Psi (414 Bar)
- Temperature rating PTFE packing from -46°C to +210°C (-50°F / + 400°F)
- Temperature rating GRAPHITE packing from -46°C to + 530° C (-50°F / + 1000°F)
- Standard orifice diameter 4.0 mm
- Standard 316L stainless steel

Item	Rating psi	In Size		Out size	Packing	Material
5050CDAHHBAA	C=6k	1/2"	NPT-F	IEC 61518 - B	A=PTFE ; B= Graphite	316L
A0540-04-01		2" PIPE AND WALL VERTICAL MOUNTING BRACKET				316L
A0540-07-01		2" PIPE AND WALL HORIZONTAL MOUNTING BRACKET				316L

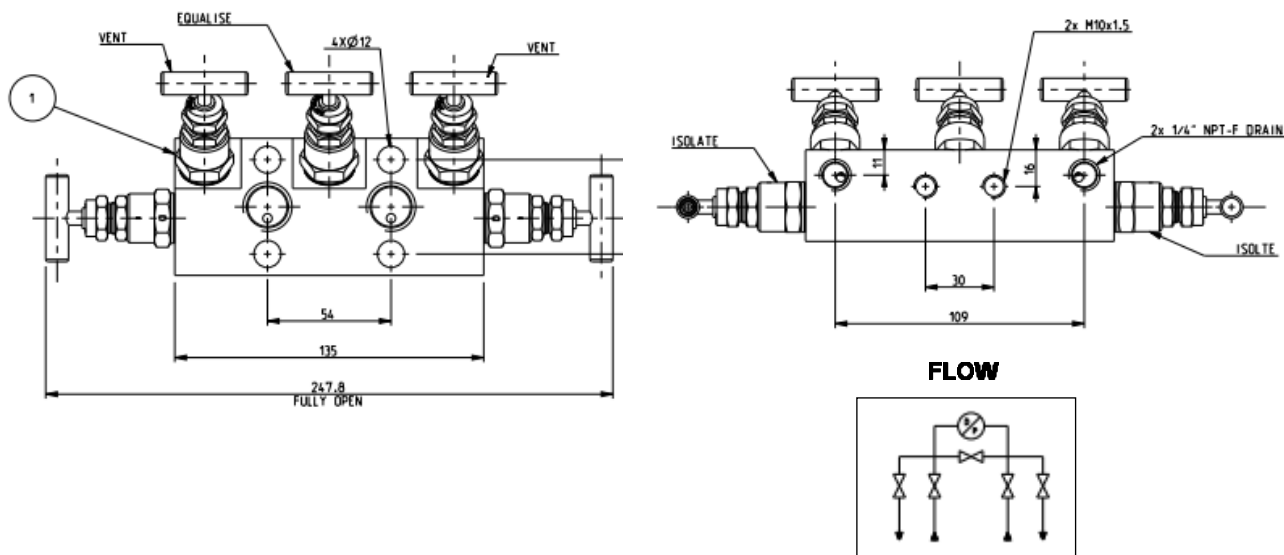
Included accessories:

- no. 4 galvanized carbon steel screws
- no. 2 drain plugs
- no. 2 PTFE gaskets

5064 Series

Five Valve Manifolds 6.000 psi

The Five Valve Manifolds that concentrate in a single block the functions of interception, balancing and drain, are designed to allow both direct and remote mounting.



Features

- IN : 1/2" NPT-F
- OUT : IEC 61518-B
- DRAIN : 2 X 1/4" NPT-F WITH PLUG
- MATERIAL: AISI 316L
- FLAT BAR STOCK
- CENTER TO CENTER DISTANCE : IN/OUT=54 mm

Specifications

- Pressure up to 6,000 Psi (414 Bar)
- Temperature rating PTFE packing from -46°C to +210°C (-50°F / + 400°F)
- Temperature rating GRAPHITE packing from -46°C to + 530° C (-50°F / + 1000°F)
- Standard orifice diameter 4.0 mm
- Standard 316L stainless steel

Item	Rating psi	In Size		Out size	Packing	Material
5064CDAHHBAA	C=6k	1/2"	NPT-F	Flanged	A=PTFE ; B= Graphite	316L
A0540-04-01		2" PIPE AND WALL VERTICAL MOUNTING BRACKET				316L
A0540-07-01		2" PIPE AND WALL HORIZONTAL MOUNTING BRACKET				316L

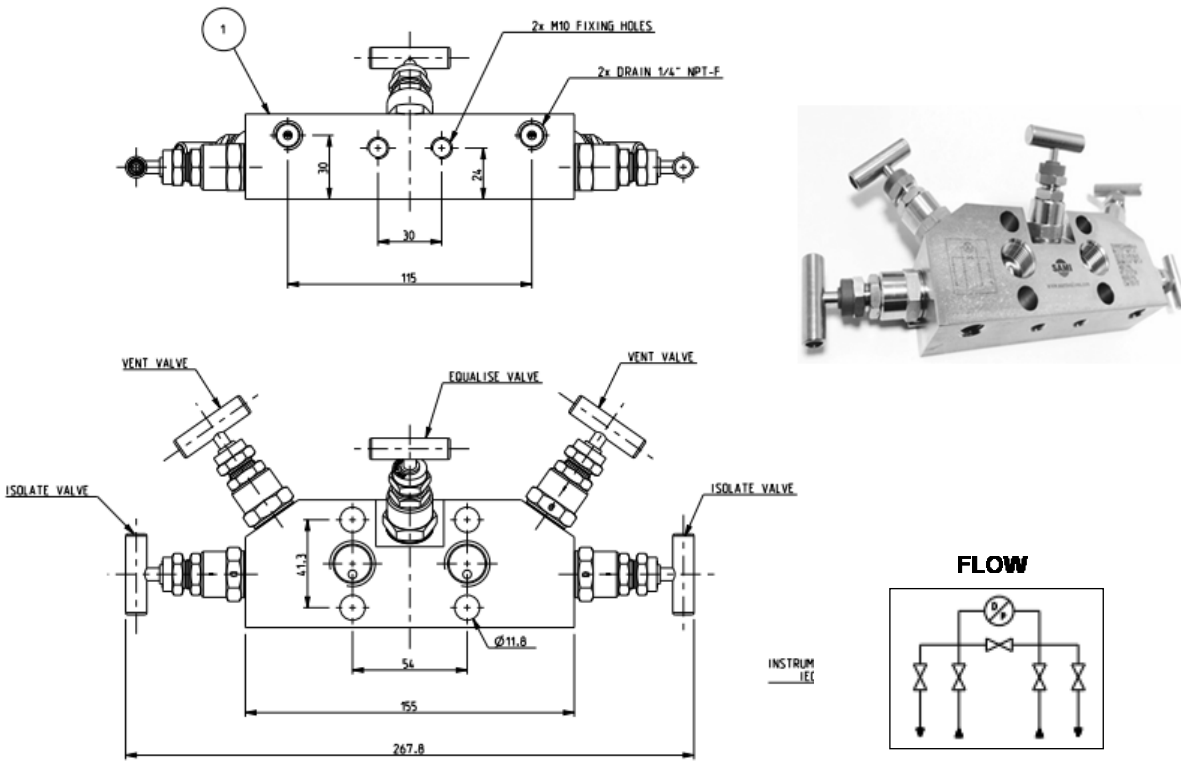
Included accessories:

- no. 4 galvanized carbon steel screws
- no. 2 drain plugs
- no. 2 PTFE gaskets

5066 Series

Five Valve Manifolds 6.000 psi

The Five Valve Manifolds that concentrate in a single block the functions of interception, balancing and drain, are designed to allow both direct and remote mounting.



Features

- IN : 1/2" NPT-F
- OUT : IEC 61518-B
- DRAIN : 2 X 1/4" NPT-F WITH PLUG
- MATERIAL: AISI 316L
- FLAT BAR STOCK
- CENTER TO CENTER DISTANCE : IN/OUT=54 mm

Specifications

- Pressure up to 6,000 Psi (414 Bar)
- Temperature rating PTFE packing from -46°C to +210°C (-50°F / + 400°F)
- Temperature rating GRAPHITE packing from -46°C to + 530° C (-50°F / + 1000°F)
- Standard orifice diameter 4.0 mm
- Standard 316L stainless steel

Item	Rating psi	In Size		Out size	Packing	Material
5066CDAHHBAA	C=6k	1/2"	NPT-F	Flanged	A=PTFE ; B= Graphite	316L
A0540-04-01		2" PIPE AND WALL VERTICAL MOUNTING BRACKET				316L
A0540-07-01		2" PIPE AND WALL HORIZONTAL MOUNTING BRACKET				316L

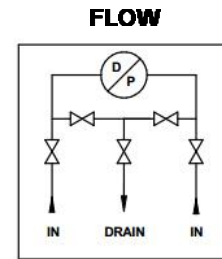
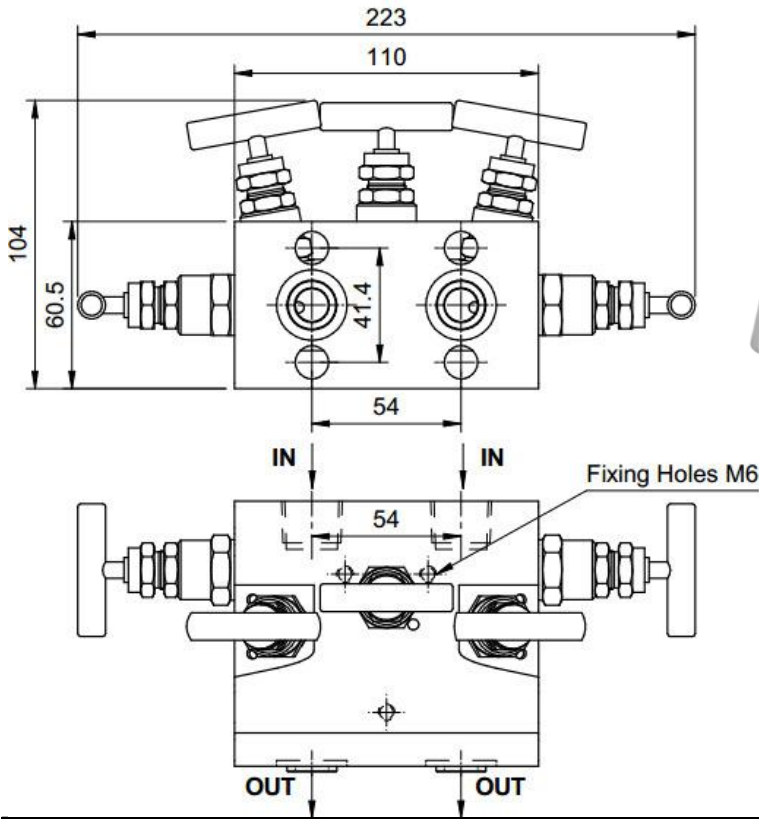
Included accessories:

- no. 4 galvanized carbon steel screws
- no. 2 drain plugs
- no. 2 PTFE gaskets

5069 Series

Five Valve Manifolds 6.000 psi

The Five Valve Manifolds that concentrate in a single block the functions of interception, balancing and drain, are designed to allow both direct and remote mounting.



Features

- IN : 1/2" NPT-F
- OUT : IEC 61518-A
- DRAIN : 1 X 1/4" NPT-F WITH PLUG
- MATERIAL: AISI 316L
- FLAT BAR STOCK
- CENTER TO CENTER DISTANCE : IN/OUT=54 mm

Specifications

- Pressure up to 6,000 Psi (414 Bar)
- Temperature rating PTFE packing from -46°C to +210°C (-50°F / + 400°F)
- Temperature rating GRAPHITE packing from -46°C to + 530° C (-50°F / + 1000°F)
- Standard orifice diameter 4.0 mm
- Standard 316L stainless steel

Item	Rating psi	In Size		Out size	Packing	Material
5069CDAHIBAA	C=6k	1/2"	NPT-F	IEC 61518-A	A=PTFE ; B= Graphite	316L
A0540-30-01		2" PIPE AND WALL HORIZONTAL MOUNTING BRACKET				316L

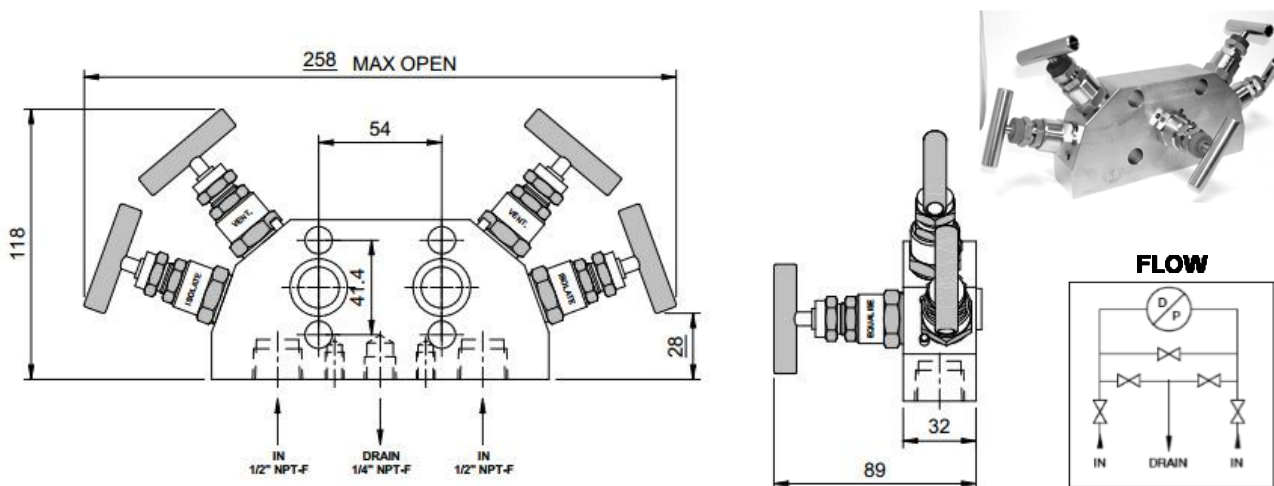
Included accessories:

- no. 4 galvanized carbon steel screws
- no. 1 drain plug
- no. 2 PTFE gaskets

5150 Series

Five Valve Manifolds 6.000 psi / 90°

The Five Valve Manifolds that concentrate in a single block the functions of interception, balancing and drain, are designed to allow both direct and remote mounting.



Features

- IN : 1/2" NPT-F
- OUT : IEC 61518-A
- DRAIN : 21X 1/4" NPT-F WITH PLUG
- MATERIAL: AISI 316L
- FLAT BAR STOCK
- CENTER TO CENTER DISTANCE : IN/OUT=54 mm

Specifications

- Pressure up to 6,000 Psi (414 Bar)
- Temperature rating PTFE packing from -46°C to +210°C (-50°F / + 400°F)
- Temperature rating GRAPHITE packing from -46°C to + 530° C (-50°F / + 1000°F)
- Standard orifice diameter 4.0 mm
- Standard 316L stainless steel

Item	Rating psi	In Size		Out size	Packing	Material
5150CDAHIBAA	C=6k	1/2"	NPT-F	IEC 61518-A	A=PTFE ; B= Graphite	316L

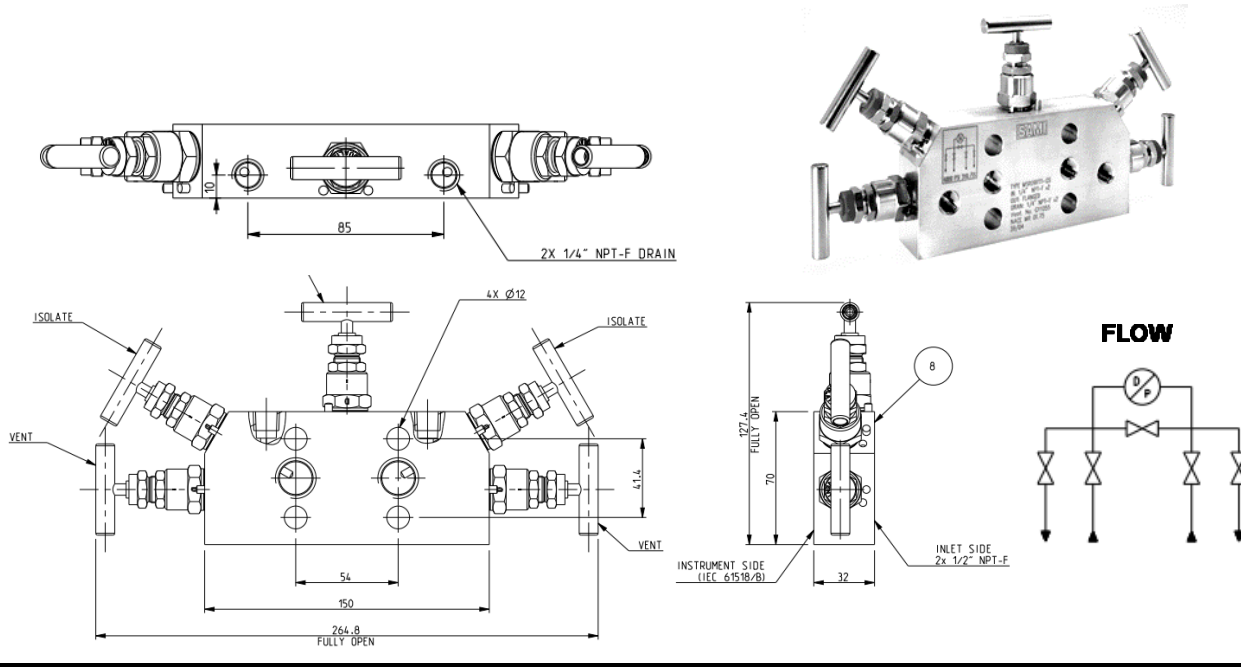
Included accessories:

- no. 4 galvanized carbon steel screws
- no. 1 drain plug
- no. 2 PTFE gaskets

5203 Series

Five Valve Manifolds 6.000 psi/ 90°

The Five Valve Manifolds that concentrate in a single block the functions of interception, balancing and drain, are designed to allow both direct and remote mounting.



Features

- IN : 1/2" NPT-F
- OUT : IEC 61518-B
- DRAIN : 2 X 1/4" NPT-F WITH PLUG
- MATERIAL: AISI 316L
- FLAT BAR STOCK
- CENTER TO CENTER DISTANCE : IN/OUT=54 mm

Specifications

- Pressure up to 6,000 Psi (414 Bar)
- Temperature rating PTFE packing from -46°C to +210°C (-50°F / + 400°F)
- Temperature rating GRAPHITE packing from -46°C to + 530° C (-50°F / + 1000°F)
- Standard orifice diameter 4.0 mm
- Standard 316L stainless steel

Item	Rating psi	In Size		Out size	Packing	Material
5203CDAHHBAA	C=6k	1/2"	NPT-F	IEC 61518-B	A=PTFE ; B= Graphite	316L
A0540-23-01		2" PIPE AND WALL HORIZONTAL MOUNTING BRACKET				316L

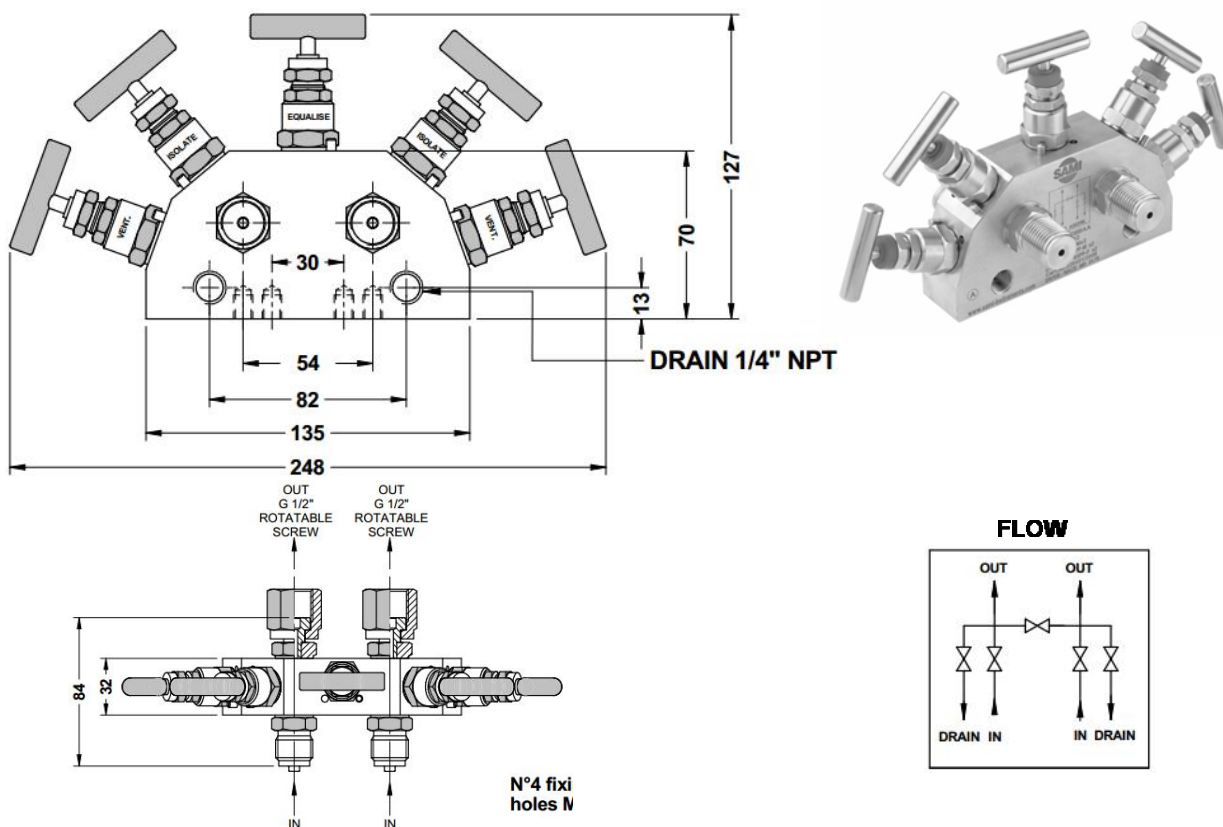
Included accessories:

- no. 4 galvanized carbon steel screws
- no. 2 drain plugs
- no. 2 PTFE gaskets

5251 Series

Five Valve Manifolds 6.000 psi & 10.000 psi / 90°

The Five Valve Manifolds that concentrate in a single block the functions of interception, balancing and drain, are designed to allow both direct and remote mounting.



Features

- IN : THREADED
- OUT : G1/2 FEMALE SWIVEL
- DRAIN : 2 X 1/4" NPT-F WITH PLUG
- MATERIAL: AISI 316L
- FLAT BAR STOCK
- CENTER TO CENTER DISTANCE : IN/OUT=54 mm

Specifications

- Pressure up to 10,000 Psi (690 Bar)
- Temperature rating PTFE packing from -46°C to +210°C (-50°F / + 400°F)
- Temperature rating GRAPHITE packing from -46°C to + 530° C (-50°F / + 1000°F)
- Standard orifice diameter 4.0 mm
- Standard 316L stainless steel

Item	Rating psi	In Size		Out size		Packing	Material
5251CDBDBBAA	C=6k	1/2"	BSP-M	1/2"	BSP-F	A=PTFE ; B= Graphite	316L
5251CDADBBAA	C=6k	1/2"	NPT-M	1/2"	BSP-F	A=PTFE ; B= Graphite	316L
A0540-36-01		2" PIPE AND WALL MOUNTING BRACKET					316L

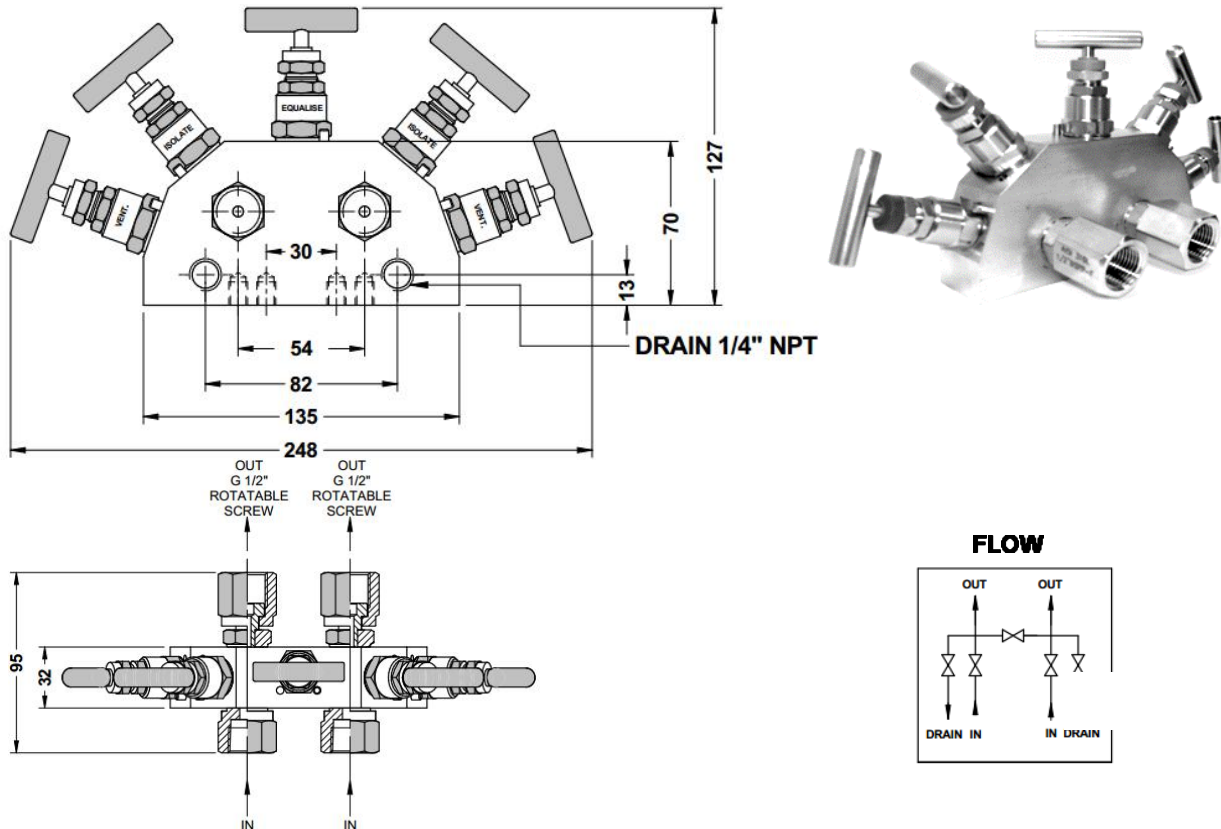
Included accessories:

- no. 2 drain plugs

5301 Series

Five Valve Manifolds 6.000 psi & 10.000 psi / 90°

The Five Valve Manifolds that concentrate in a single block the functions of interception, balancing and drain, are designed to allow both direct and remote mounting.



Features

- IN : THREADED
- OUT : G1/2 FEMALE SWIVEL
- DRAIN : 2 X 1/4" NPT-F WITH PLUG
- MATERIAL: AISI 316L
- FLAT BAR STOCK
- CENTER TO CENTER DISTANCE : IN/OUT=54 mm

Specifications

- Pressure up to 10,000 Psi (690 Bar)
- Temperature rating PTFE packing from -46°C to +210°C (-50°F / + 400°F)
- Temperature rating GRAPHITE packing from -46°C to + 530° C (-50°F / + 1000°F)
- Standard orifice diameter 4.0 mm
- Standard 316L stainless steel

Item	Rating psi	In Size		Out size		Packing	Material	
5301CDADBBAA	C=6k	1/2"	NPT-F	1/2"	BSP-F	A=PTFE ; B= Graphite	316L	
5301CDBDBBAA	C=6k	1/2"	BSP-F	1/2"	BSP-F	A=PTFE ; B= Graphite	316L	
A0540-36-01		2" PIPE AND WALL MOUNTING BRACKET						316L

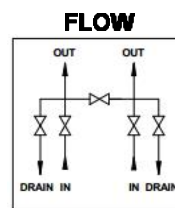
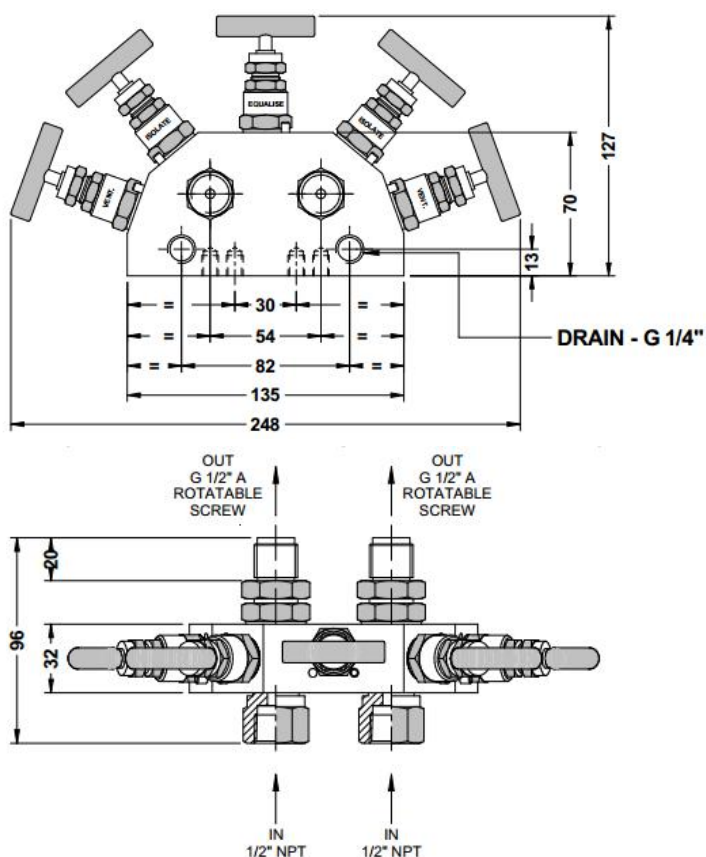
Included accessories:

- no. 2 drain plugs

5350 Series

Five Valve Manifolds 6.000 psi & 10.000 psi / 90°

The Five Valve Manifolds that concentrate in a single block the functions of interception, balancing and drain, are designed to allow both direct and remote mounting.



Features

- IN : THREADED
- OUT : G1/2 A - SWIVEL
- DRAIN : 2 X 1/4" BSP-F WITHOUT PLUG
- MATERIAL: AISI 316L
- FLAT BAR STOCK
- CENTER TO CENTER DISTANCE : IN/OUT=54 mm

Specifications

- Pressure up to 10,000 Psi (690 Bar)
- Temperature rating PTFE packing from -46°C to +210°C (-50°F / + 400°F)
- Temperature rating GRAPHITE packing from -46°C to + 530° C (-50°F / + 1000°F)
- Standard orifice diameter 4.0 mm
- Standard 316L stainless steel

Item	Rating psi	In Size		Out size		Packing	Material
5350CCBDBBAA	C=6k	3/8"	BSP-F	1/2"	BSP-M	A=PTFE ; B= Graphite	316L
5350CDADBBAA	C=6k	1/2"	NPT-F	1/2"	BSP-M	A=PTFE ; B= Graphite	316L
A0540-36-01		2" PIPE AND WALL MOUNTING BRACKET					316L

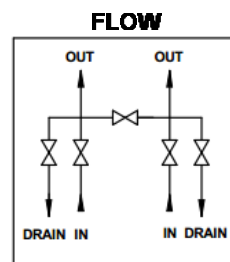
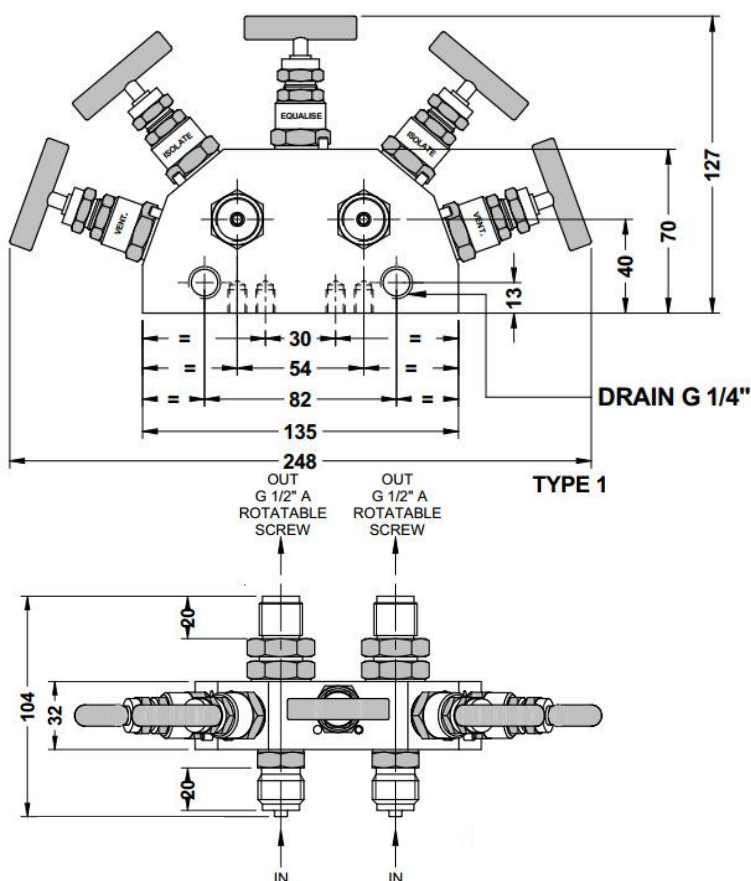
Included accessories:

- no. 2 drain plugs

5351 Series

Five Valve Manifolds 6.000 psi & 10.000 psi / 90°

The Five Valve Manifolds that concentrate in a single block the functions of interception, balancing and drain, are designed to allow both direct and remote mounting.



Features

- IN : THREADED
- OUT : G1/2 A - SWIVEL
- DRAIN : 2 X 1/4" BSP-F WITHOUT PLUG
- MATERIAL: AISI 316L
- FLAT BAR STOCK
- CENTER TO CENTER DISTANCE : IN/OUT=54 mm

Specifications

- Pressure up to 10,000 Psi (690 Bar)
- Temperature rating PTFE packing from -46°C to +210°C (-50°F / + 400°F)
- Temperature rating GRAPHITE packing from -46°C to + 530° C (-50°F / + 1000°F)
- Standard orifice diameter 4.0 mm
- Standard 316L stainless steel

Item	Rating psi	In Size		Out size		Packing	Material	
5351CDBDBBAA	C=6k	1/2 "	BSP-M	1/2"	BSP-M	A=PTFE ; B= Graphite	316L	
5351CDADBBAA	C=6k	1/2"	NPT-M	1/2"	BSP-M	A=PTFE ; B= Graphite	316L	
A0540-36-01		2" PIPE AND WALL MOUNTING BRACKET						316L

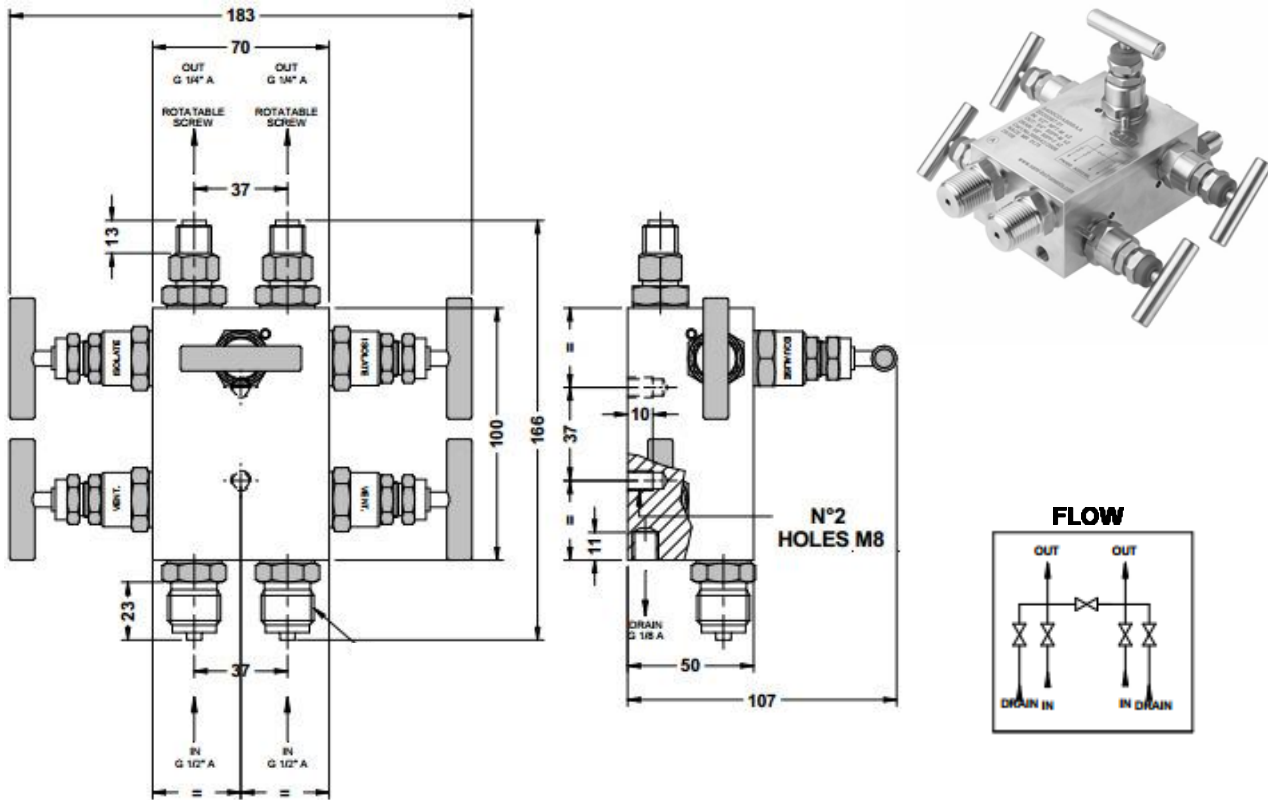
Included accessories:

- no. 2 drain plugs

5400 Series

Five Valve Manifolds 6.000 psi & 10.000 psi / 90°

The Five Valve Manifolds that concentrate in a single block the functions of interception, balancing and drain, are designed to allow both direct and remote mounting.



Features

- IN : THREADED
- OUT : THREADED - SWIVEL
- DRAIN : 2 X 1/8" BSP-F WITHOUT PLUG
- MATERIAL: AISI 316L
- FLAT BAR STOCK
- CENTER TO CENTER DISTANCE : IN/OUT=37 mm

Specifications

- Pressure up to 10,000 Psi (690 Bar)
- Temperature rating PTFE packing from -46°C to +210°C (-50°F / + 400°F)
- Temperature rating GRAPHITE packing from -46°C to + 530° C (-50°F / + 1000°F)
- Standard orifice diameter 4.0 mm
- Standard 316L stainless steel

Item	Rating psi	In Size		Out size		Packing	Material
5400CDABBBAA	C=6k	1/2"	NPT-M	1/4"	BSP-M	A=PTFE ; B= Graphite	316L
5400CDBBBBAA	C=6k	1/2"	BSP-M	1/4"	BSP-M	A=PTFE ; B= Graphite	316L

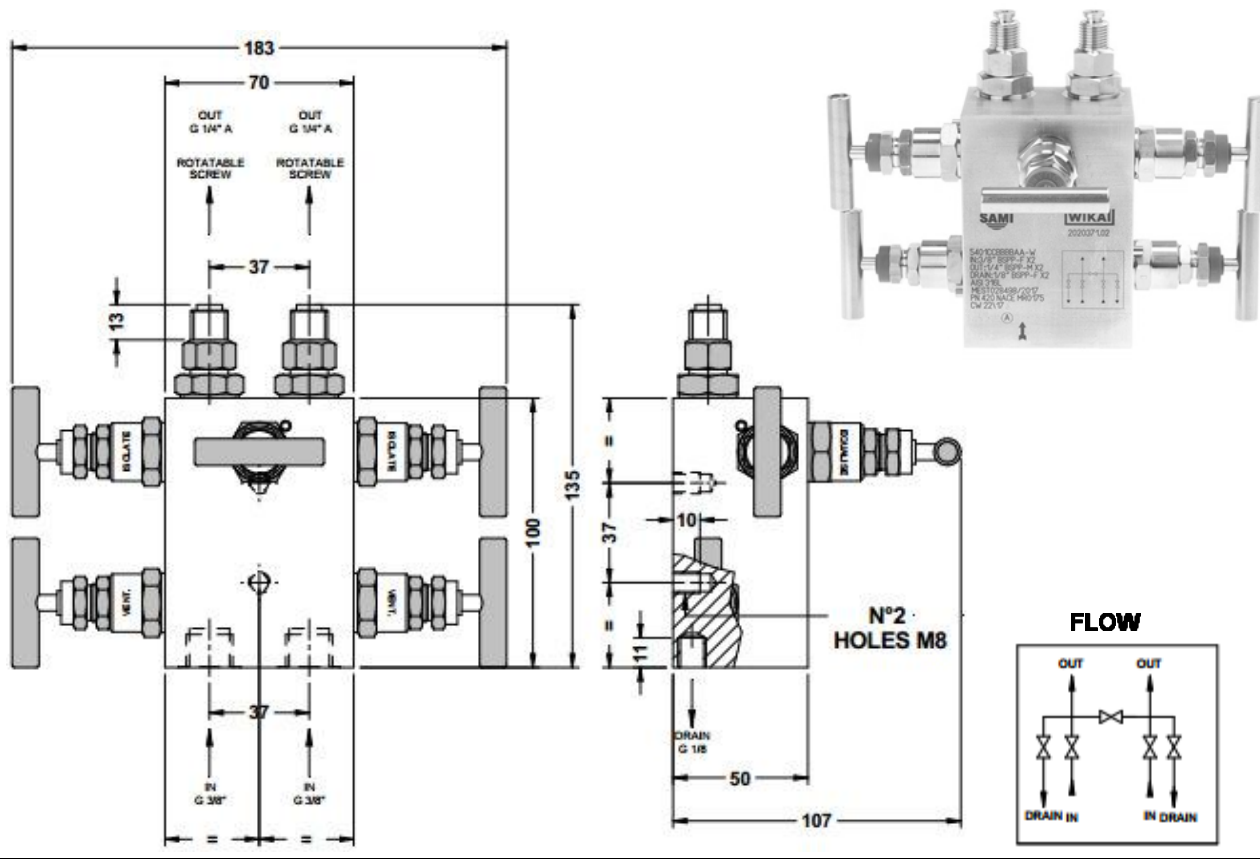
Included accessories:

- no. 2 drain plugs

5401 Series

Five Valve Manifolds 6.000 psi & 10.000 psi / 90°

The Five Valve Manifolds that concentrate in a single block the functions of interception, balancing and drain, are designed to allow both direct and remote mounting.



Features

- IN : THREADED
- OUT : THREADED - SWIVEL
- DRAIN : 2 X 1/8" BSP-F WITHOUT PLUG
- MATERIAL: AISI 316L
- FLAT BAR STOCK
- CENTER TO CENTER DISTANCE : IN/OUT=37 mm

Specifications

- Pressure up to 10,000 Psi (690 Bar)
- Temperature rating PTFE packing from -46°C to +210°C (-50°F / + 400°F)
- Temperature rating GRAPHITE packing from -46°C to + 530° C (-50°F / + 1000°F)
- Standard orifice diameter 4.0 mm
- Standard 316L stainless steel

Item	Rating psi	In Size		Out size		Packing	Material
5401CBBBAA	C=6k	3/8"	BSP-F	1/4"	BSP-M	A=PTFE ; B= Graphite	316L

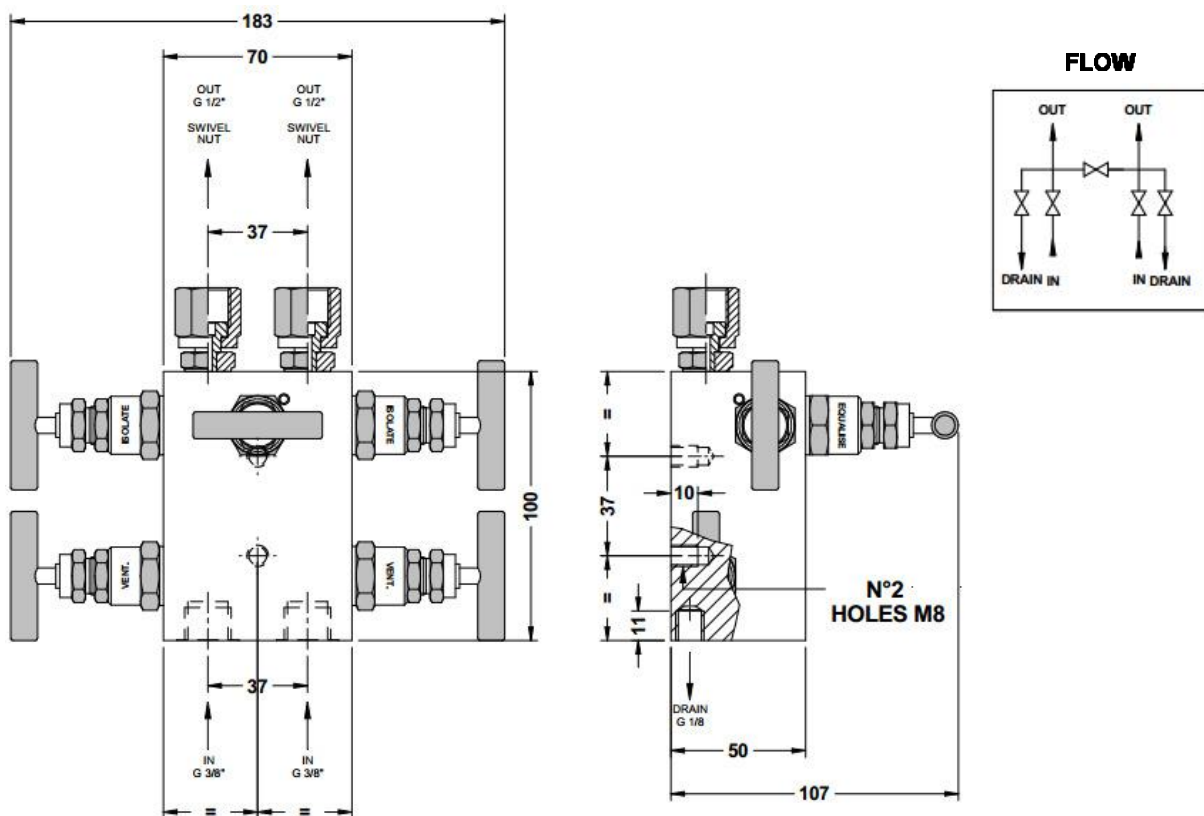
Included accessories:

- no. 2 drain plugs

5403 Series

Five Valve Manifolds 6.000 psi & 10.000 psi / 90°

The Five Valve Manifolds that concentrate in a single block the functions of interception, balancing and drain, are designed to allow both direct and remote mounting.



Features

- IN : THREADED
- OUT : THREADED - SWIVEL
- DRAIN : 2 X 1/8" BSP-F WITHOUT PLUG
- MATERIAL: AISI 316L
- FLAT BAR STOCK
- CENTER TO CENTER DISTANCE : IN/OUT=37 mm

Specifications

- Pressure up to 10,000 Psi (690 Bar)
- Temperature rating PTFE packing from -46°C to +210°C (-50°F / + 400°F)
- Temperature rating GRAPHITE packing from -46°C to + 530° C (-50°F / + 1000°F)
- Standard orifice diameter 4.0 mm
- Standard 316L stainless steel

Item	Rating psi	In Size		Out size		Packing	Material
5403CCBDBBAA	C=6k	3/8"	BSP-F	1/2"	BSP-F	A=PTFE ; B= Graphite	316L

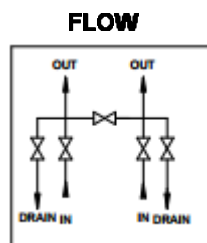
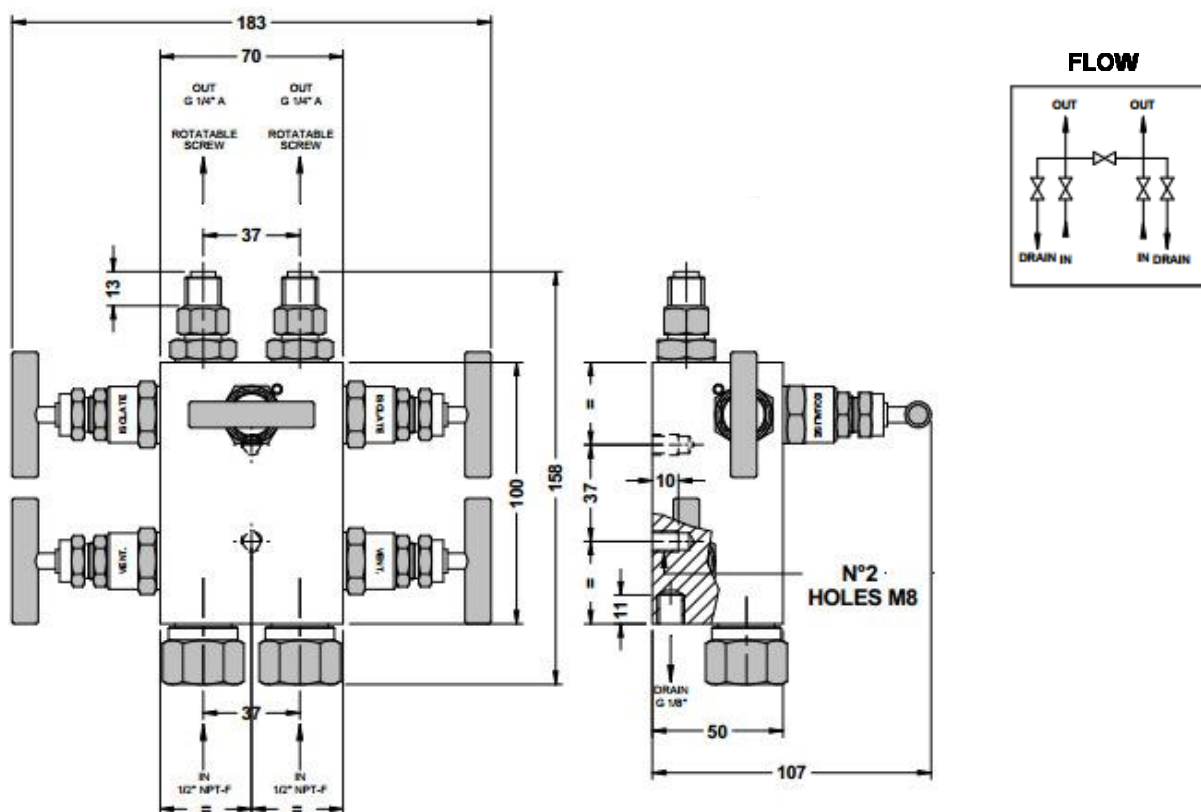
Included accessories:

- no. 2 drain plugs

5405 Series

Five Valve Manifolds 6.000 psi & 10.000 psi / 90°

The Five Valve Manifolds that concentrate in a single block the functions of interception, balancing and drain, are designed to allow both direct and remote mounting.



Features

- IN : THREADED
- OUT : THREADED - SWIVEL
- DRAIN : 2 X 1/8" BSP-F WITHOUT PLUG
- MATERIAL: AISI 316L
- FLAT BAR STOCK
- CENTER TO CENTER DISTANCE : IN/OUT=37 mm

Specifications

- Pressure up to 10,000 Psi (690 Bar)
- Temperature rating PTFE packing from -46°C to +210°C (-50°F / + 400°F)
- Temperature rating GRAPHITE packing from -46°C to + 530° C (-50°F / + 1000°F)
- Standard orifice diameter 4.0 mm
- Standard 316L stainless steel

Item	Rating psi	In Size		Out size		Packing	Material
5405CDABBBAA	C=6k	1/2"	NPT-F	1/4"	BSP-M	A=PTFE ; B= Graphite	316L

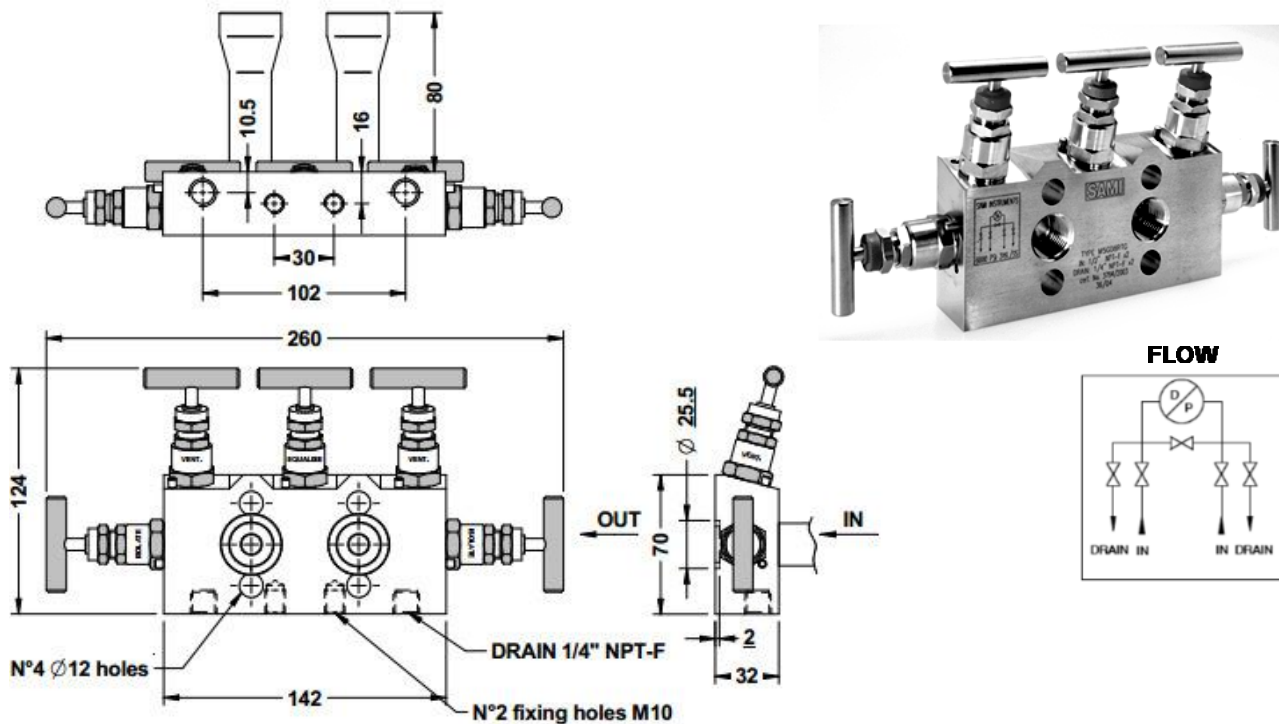
Included accessories:

- no. 2 drain plugs

5450 Series

Five Valve Manifolds 6.000 psi

The Five Valve Manifolds that concentrate in a single block the functions of interception, balancing and drain, are designed to allow both direct and remote mounting.



Features

- IN : SOCKET WELD
- OUT : FLANGED
- DRAIN : 2 X 1/4" NPT-F
- MATERIAL: AISI 316L
- FLAT BAR STOCK

Specifications

- Pressure up to 6,000 Psi (414 Bar)
- Temperature rating GRAPHITE packing from -46°C to + 530° C (-50°F / + 1000°F)
- Standard orifice diameter 4.0 mm
- Standard 316L stainless steel

Item	Rating psi	In Size	Out size	Packing	Material
5450CDDHHBBA	C=6k	SOCKET WELD	FLANGED	B= Graphite	316L

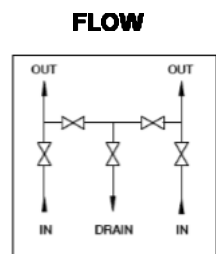
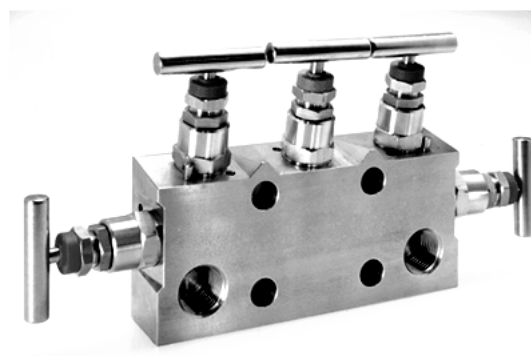
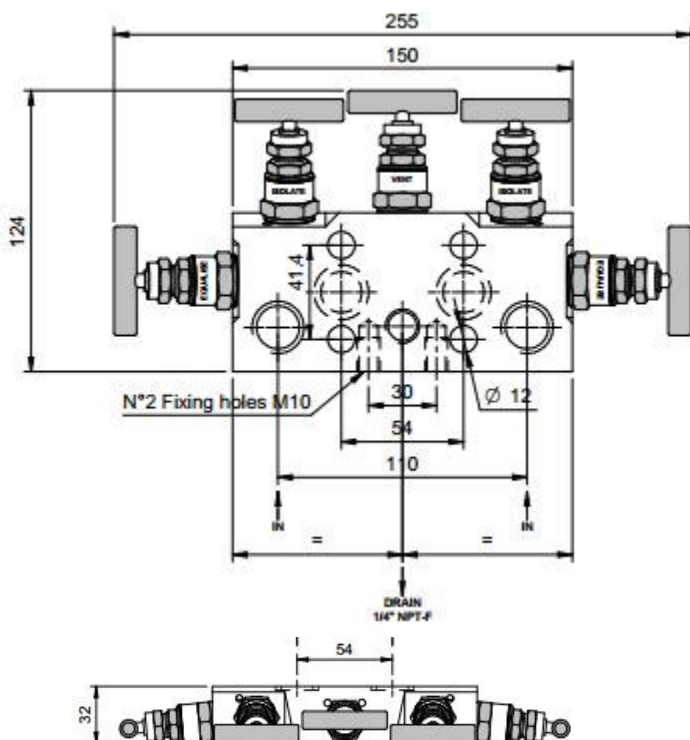
Included accessories:

- no. 4 galvanized carbon steel screws
- no. 2 drain plugs
- no. 2 PTFE gaskets

5600 Series

Five Valve Manifolds 6.000 psi

The Five Valve Manifolds that concentrate in a single block the functions of interception, balancing and drain, are designed to allow both direct and remote mounting.



Features

- IN : 1/2" NPT-F
- OUT : FLANGED IEC 61518 - B
- DRAIN : 1 X 1/4" NPT-F
- MATERIAL: AISI 316L
- FLAT BAR STOCK

Specifications

- Pressure up to 6,000 Psi (414 Bar)
- Temperature rating PTFE packing from -46°C to +210°C (-50°F / + 400°F)
- Temperature rating GRAPHITE packing from -46°C to + 530° C (-50°F / + 1000°F)
- Standard orifice diameter 4.0 mm
- Standard 316L stainless steel

Item	Rating psi	In Size		Out size	Packing	Material
5600CDAHHA	C=6k	1/2"	NPT-F	FLANGED	A=PTFE ; B= Graphite	316L

Included accessories:

- no. 2 drain plugs

Metering Needle Valves

Needle valve soft seat type NV1

SAMI's soft seat needle valves are designed for natural gas applications, where precision in regulation and high quality performances are required.

SAMI's NV1 soft seated needle valves fully comply with ASME B31.3 and B31.1 in terms of pressure tests (shell test and seat test) and structural design.

Our NV1 needle valves also ensure **zero leakage** thanks to their soft seat design. The NV1 series is available in several soft seat materials (PEEK, Kel-F, Delrin) or in metal seat, always ensuring the highest reliability in terms of seal.

Its main applications include sampling system, gas chromatography, test bench, pressure regulation and pressure control from upstream to downstream.

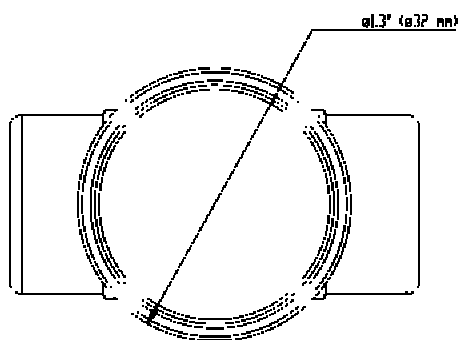
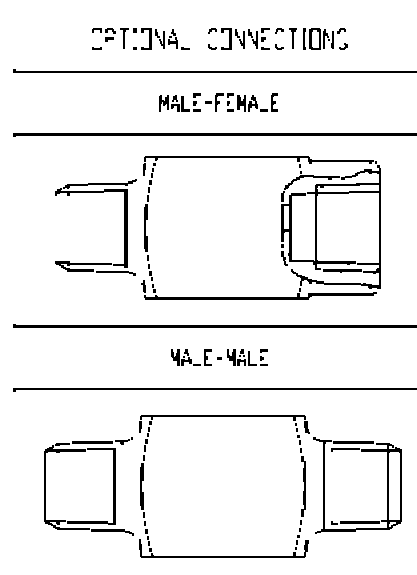
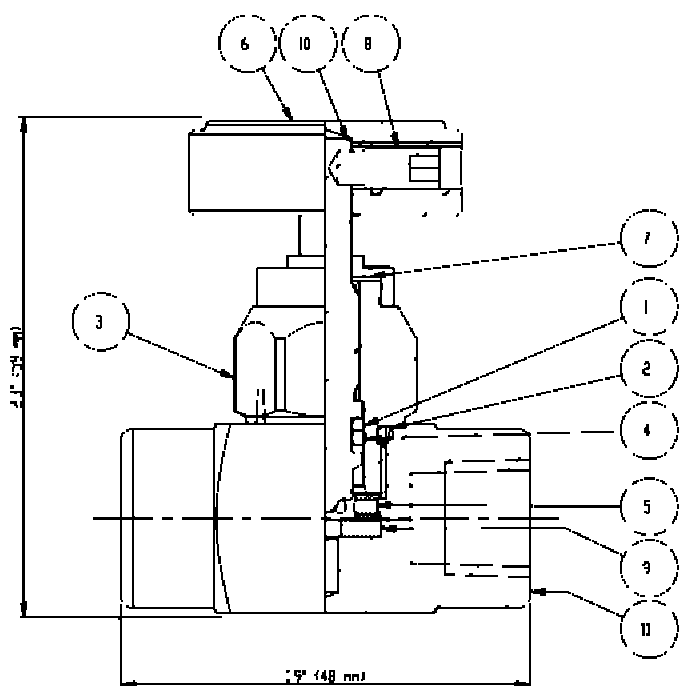


FEATURES

- Pressure rating: 6.000 PSI (414 barg) ;
- Temperature range: -29/+210°C (-20/+400°F) ;
- Material: 100% AISI 316;
- Soft seated or metal seated;
- Low operating torque up to MAWP;
- Blow out proof stem;
- Optionals:
 - Lox cleaning;
 - Red aluminium handle;
 - Carbon steel or stainless steel handle;
 - T-bar handle;
 - Monel, Inconel or Hastelloy trim;
 - Male/male or male/female connections;
 - PEEK, Delrin or Kel-F seat.

Metering Needle Valves

Needle valve soft seat type NV1



No	DESCRIPTION	MAT.
1	Back-up ring	PTFE
2	Body O-RING	Viton
3	Bonnet body	AISI 316L
4	Bonnet O-RING	Viton
5	Bushing	AISI 316L
6	Handle	Aluminum
7	ISOLATE Cop	Hytrel BLUE
8	SCREW STEEL UNI 5925 M6X12	A4 - AISI 316L
9	Soft seat	KEL-F (PCTFE) *
10	Steam	AISI 316L
11	Valve body	AISI 316L

* Optional seat material: DELRIN/PEEK

CODE	TYPE	CONNECTIONS	INLET		OUTLET		MATERIAL	PACKING	SEAT	BORE
			SIZE	TYPE	SIZE	TYPE				
NV1FFBABABVK	NV1	FEM-FEM	1/4 "	NPT	1/4 "	NPT	AISI 316	VITON	KEL-F	3mm
NV1FFBABABVM	NV1	FEM-FEM	1/4 "	NPT	1/4 "	NPT	AISI 316	VITON	METAL	3mm

Cartridge Needle Valves

Cartridge metering needle valve type CMV - 1/4"

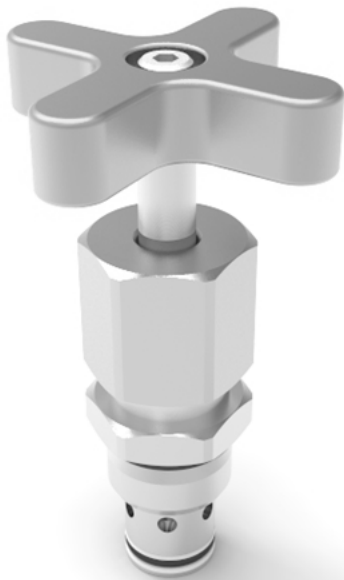
SAMI's cartridge metering needle valves are designed for hydraulic application especially with high pressure and viscous fluids.

SAMI's cartridge valve allows great accuracy in the regulation of fluid, thanks to the shape of its needle and the openings of the valve.

As standard, the wetted parts of the valve are 100% made of stainless steel to prevent corrosion and to support heavy duty application. The handle material is anodized aluminium.

All our cartridge needle series include coloured indicators on the stem which allow the operator to identify immediately the exact percentage of opening of the valve.

SAMI's cartridge valves have been functionally tested up to the maximum allowable working pressure with excellent results in manoeuvrability and internal sealing.

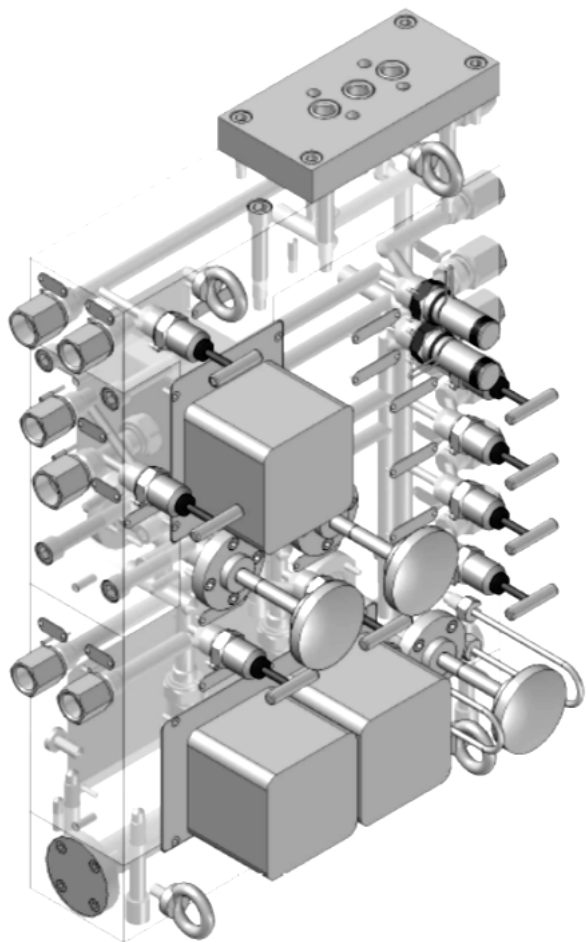


FEATURES

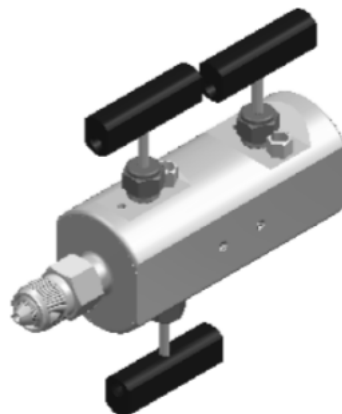
- Temperature range: -20/+210°C (-4/+400°F)
- Position indicators on the handle;
- Valve opening visual indicator;
- Tested at 1,5 times the design pressure;
- 100% stainless steel;
- Smooth operation up to 5.000 PSI (345 barg);
- Excellent manoeuvrability at MAWP.

Special Items

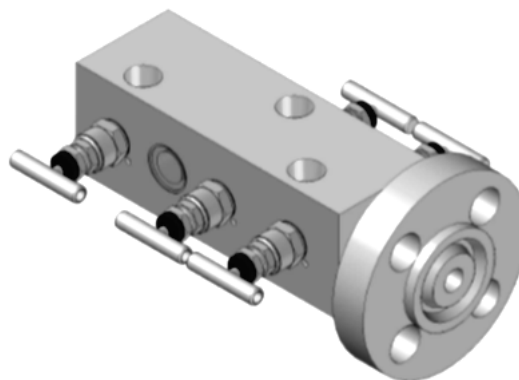
Distribution and control panel



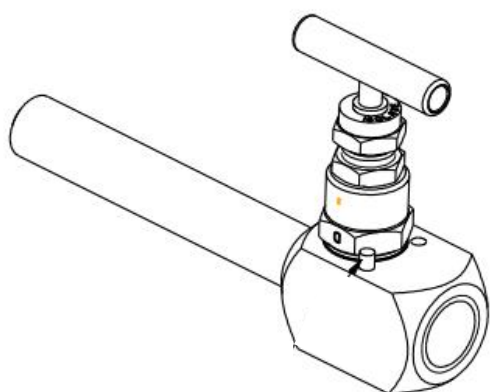
15,000 psi Double Block & Bleed



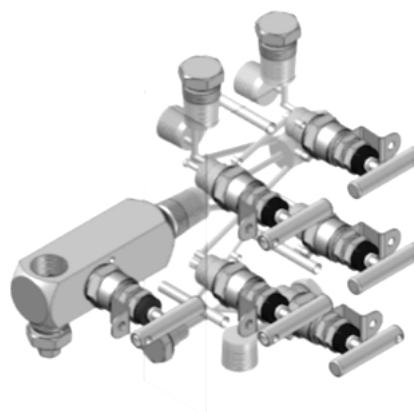
Distributors



Needle valves with extended connections for assembly with flushing rings

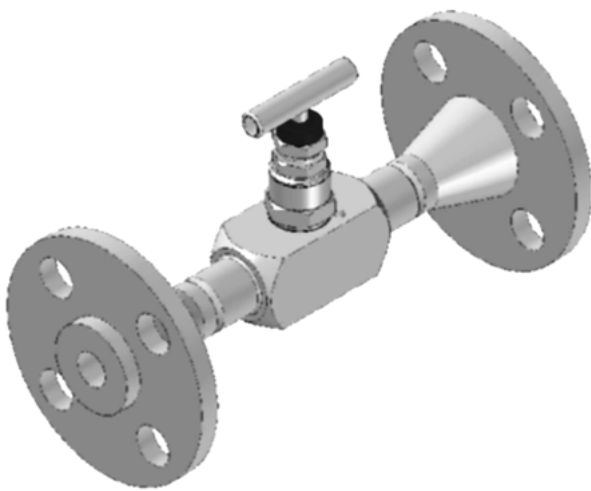


Safety systems



Special Items

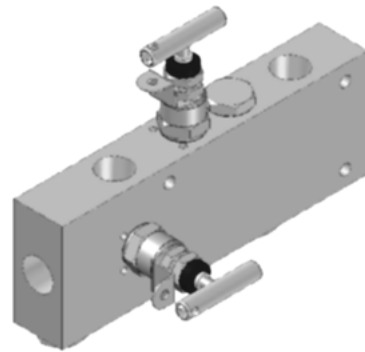
Flanged/Flanged Needle Valves



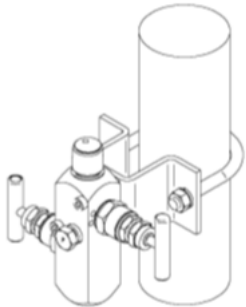
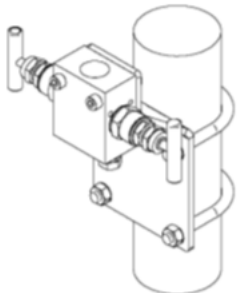
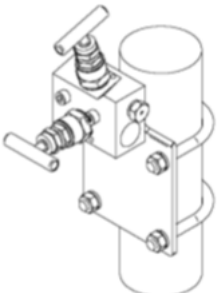
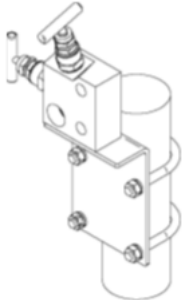
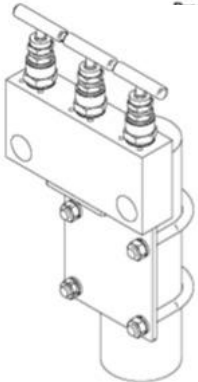
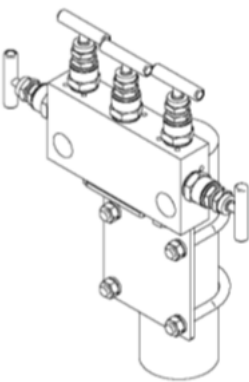
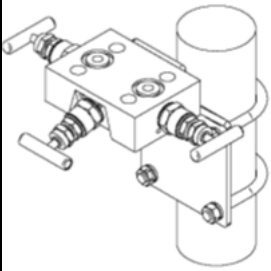
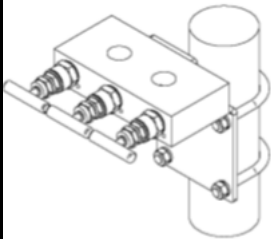
Socket Weld Version



Distributors



Brackets

<p>Two Valve Manifolds <i>Model: A0540-06-01</i></p> 	<p>Two Valve Manifolds <i>Model: A0540-11-01</i></p> 	<p>Two Valve Manifolds <i>Model: A0540-10-01</i></p> 	<p>Two Valve Manifolds <i>Model: A0540-08-01</i></p> 
<p>Three Valve Manifolds <i>Model: A0540-04-01</i></p> 	<p>Five Valve Manifolds <i>Model: A0540-04-01</i></p> 	<p>Three Valve Manifolds <i>Model: A0540-07-01</i></p> 	<p>Three Valve Manifolds <i>Model: A0540-07-01</i></p> 

CODE (MATERIAL 316L)	MOUNTED ON MANIFOLDS:
A0540-04-01	VERT. BRACKET KIT FOR MANIFOLDS 3002-3050-3150-3151-3152-5000-
A0540-06-01	BRACKET KIT FOR MANIFOLDS 2015-2017
A0540-07-01	HORIZ. BRACKET KIT FOR MANIFOLDS 3002-3050-3150-3151-3152-5000-
A0540-08-01	BRACKET KIT FOR MANIFOLD 2150 (M2L)
A0540-09-01	BRACKET KIT FOR MANIFOLD 3451
A0540-10-01	BRACKET KIT FOR MANIFOLD 2052
A0540-11-01	BRACKET KIT FOR MANIFOLD 2050
A0540-12-01	BRACKET KIT FOR MANIFOLDS 3001-2015-2017
A0540-17-01	BRACKET KIT FOR MANIFOLD 2152
A0540-18-01	BRACKET KIT FOR MANIFOLD 2052
A0540-22-01	BRACKET KIT FOR MANIFOLDS 2161-2162
A0540-23-01	BRACKET KIT FOR MANIFOLDS 2163-3156-5203
A0540-24-01	BRACKET KIT FOR MANIFOLDS 5201
A0540-30-01	HORIZ. BRACKET KIT FOR FORGED 5 VALVE MANIFOLD
A0540-31-01	BRACKET KIT FOR MANIFOLD 5301
A0540-32-01	HORIZ. BRACKET KIT FOR FORGED 2 VALVE MANIFOLD
A0540-33-01	BRACKET KIT FOR MANIFOLD 2015
A0540-34-01	BRACKET KIT FOR MANIFOLD 5204

SAMI INSTRUMENTS S.r.l.—A division of the WIKA group

Via Botte, 8 - 35011 Reschigliano di Campodarsego (PD) - Italy

Tel: (+39) 049 9201939

Fax: (+39) 049 9217549

E-mail: info@samivalves.com

Website: www.samivalves.com

