

Check Valves and Accessories

6.000-10.000 psi



Check valve

How to order - Check Valves

Sami Instruments Check Valves are available in a wide variety of materials and connections. Standard O-ring material is NBR 90 Sh A, optional FKM.

Model	Size	Inlet	Outlet	Material	Options
CV	C	1	1	A	A

SERIES	
CV	Check valve 10.000 psi

SIZE	
A	1/4"
B	3/8"
C	1/2"
D	3/4"
E	1"

INLET	
1	NPT

OUTLET	
1	NPT

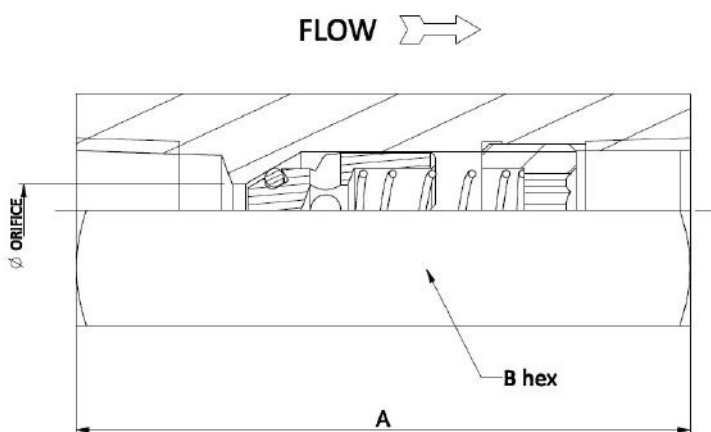
MATERIAL	
A	Aisi 316L
C	Aisi 316 Ti
D	Monel 400
E	Duplex F51
G	Super Duplex F55
H	HASTELLOY C276
I	INCONEL 625
J	INCOLLOY 825
M	A350-LF2
Q	ASTM B148

OPTIONS	
A	O-ring in FKM
B	O-ring PTFE
D	Connections Male/Female

CV Series

O-ring Check Valve 10,000 psi

The O-ring Check valve is designed for anti-leak shutoff suitable for liquid or gases, guaranteeing high flow and low pressure drop in pressurized medium. Standard O-ring material is NBR 90 Sh A. The CV series check valve offers a primary soft seal for bubble tight close, with secondary metal to metal seal.



Specifications

- Pressure 10,000 Psi (689 Bar).
- Temperature rating from -30°C to +100°C (from -22°F to + 212°F) according to seal material.
- Standard material: 316L stainless steel.

Features

- High flow and low pressure drop thanks to large orifices.
- Crabbing or seizure prevented by close tolerance guided spring and piston.
- Long life guaranteed by heavy duty corrosion resistant spring.
- Firesafe version available.
- Full material traceability
- Variety of end connections and of piston and spring materials.
- 100% Hydrostatic testing.

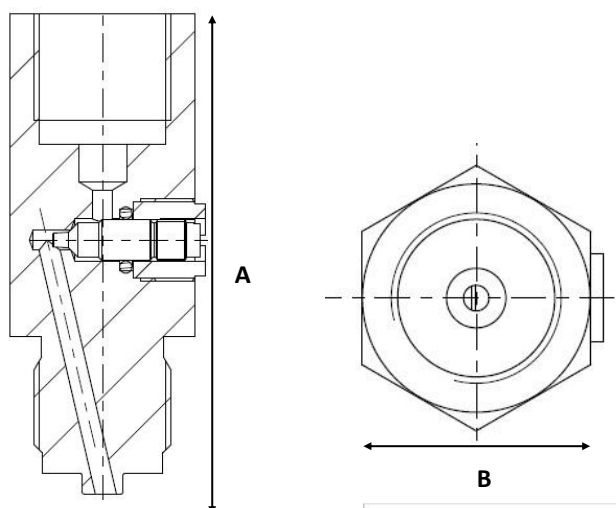
Order code	Connections		A (inch)	B (inch)	C (inch)	Material	O-ring Material
	Inlet	Outlet					
CVA11A	1/4 "	1/4 "	59.0 (2.323)	22.23 (0.875)	5.00 (0.197)	AISI 316L	NBR 90 Sh A
CVB11A	3/8 "	3/8 "	64.0 (2.520)	22.23 (0.875)	6.00 (0.236)	AISI 316L	NBR 90 Sh A
CVC11A	1/2 "	1/2 "	76.0 (2.992)	30.16 (1.187)	10.00 (0.394)	AISI 316L	NBR 90 Sh A
CVD11A	3/4 "	3/4 "	85.0 (3.346)	34.93 (1.375)	10.00 (0.394)	AISI 316L	NBR 90 Sh A
CVE11A	1 "	1 "	95.0 (3.740)	44.45 (1.750)	10.00 (0.394)	AISI 316L	NBR 90 Sh A

Material of construction can be supplied to meet the requirements of NACE MR01.75

Standard cracking pressure: 20 psi (1.38 bar) ± 30%

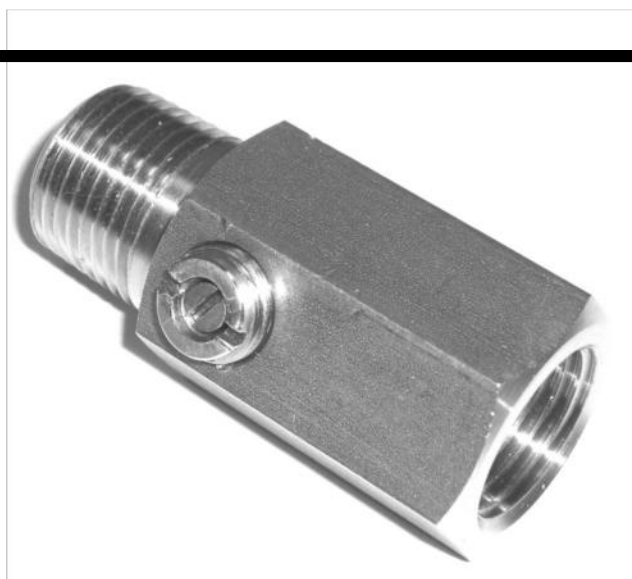
Gauge Snubber

Sami Instruments Gauge Snubber is a perfect fit for any pressure gauge with connections G 1/2", 1/2" NPT and M20 x 1,5 and can be supplied for oxygen service, on request. Its aim is to reduce the oscillations and consequently protect the gauge. The Snubber is composed of a fitting with a fixed orifice diameter, of a pin and plunger assembly. The fitting has the function of reducing the amount of fluid which is directed to the gauge, and consequently snubbing the pressure force.



Specifications

- Max Pressure: 6,000 psi
- Max Temperature: 120° C (248° F)
- Standard body material: 316L stainless steel.
- Standard O-Ring material: NBR.
- Connections available:
 - ◇ G 1/2" M x G 1/2" F
 - ◇ 1/2" NPT M x 1/2" NPT F
 - ◇ M20 x 1,5 x M20 x 1,5



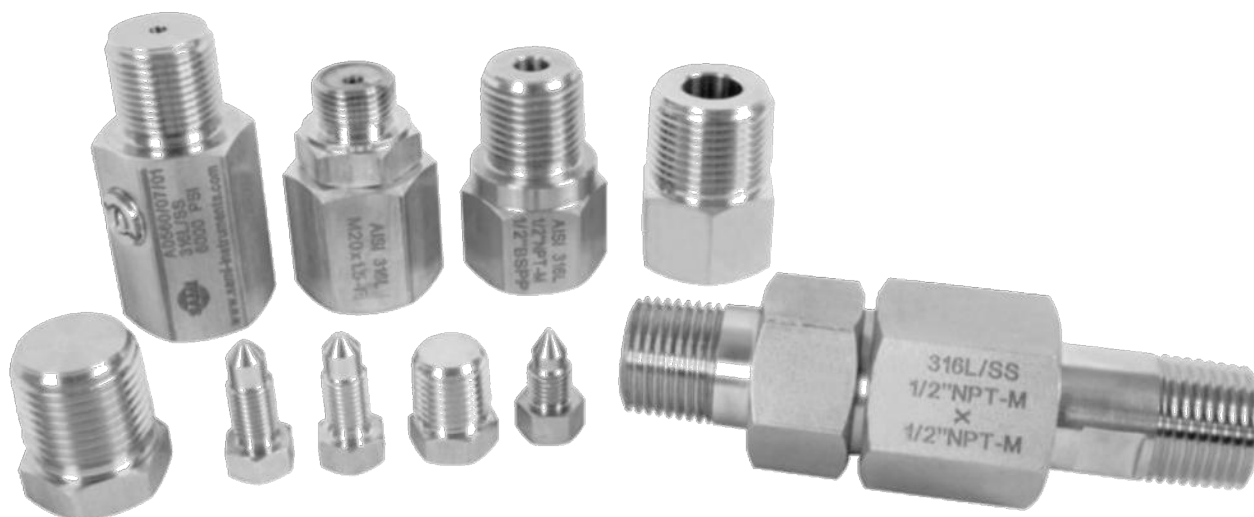
Order code	Connections		A (inch)	B (inch)	Material	O-ring Material
	Inlet	Outlet				
A0560/07/01	M20 X 1,5	M20 X 1,5	70	27	AISI 316L	NBR
A0560/10/01	G 1/2 " M	G 1/2 " F	70	27	AISI 316L	NBR
A0560/11/01	1/2 " NPT-M	1/2 "NPT-F	70	27	AISI 316L	NBR

Material of construction can be supplied to meet the requirements of NACE MR01.75

Fittings and Accessories

Wide range of fittings and adapters (6.000 psi)

Simple and swivel adapters for a wide range of connections NPT or BSP.



Oval Flanges



Fittings and Accessories

Spare gaskets (PTFE, Graphite, Peek, etc.)



Brackets and U-bolts for needle and manifold valves



SAMI INSTRUMENTS S.r.l.—A division of the WIKA group

Via Botte, 8 - 35011 Reschigliano di Campodarsego (PD) - Italy

Tel: (+39) 049 9201939

Fax: (+39) 049 9217549

E-mail: info@samivalves.com

Website: www.samivalves.com

